



MUSTANG

262931 / UNI-1964-GTS13

GRANIITTI

CE EN 13240:2001 + A2:2007

Info/Tootja/Ražotājs/Gamintojas/ Изготовитель: Tammer Brands Oy,
Viinikankatu 36, 33800 Tampere, Finland/Тампере, Финляндия

www.mustang-grill.com

EN

FI

SV

ET

LV

LT

RU

EN Preassembled Fireplace

PLEASE READ THESE INSTRUCTIONS CAREFULLY BEFORE ASSEMBLY. RETAIN THIS MANUAL FOR FUTURE REFERENCE.

FI Valmistakka

LUE OHJEET HUOLELLISESTI ENNEN LAITTEEN KÄYTTÖNOTTOA. SÄILYTÄ TÄMÄ OHJE MYÖHEMPÄÄ KÄYTTÖÄ VARTEN.

SV Förmonterad eldstad

LÄS ANVISNINGARNA NOGRANT INNAN APPARATEN TAS I BRUK. FÖRVARA DESSA ANVISNINGAR FÖR FRAMTIDA REFERENS.

ET Valmiskamin

ENNE GRILLAHJU KOKKUPANEMIST LUGEGE JUHEND HOOLIKALT LÄBI. HOIDKE SEE JUHEND EDASPIDISEKS KASUTAMISEKS ALLES.

LV Samontēta kamīnkrāsns


PIRMS MONTĀŽAS UZMANĪGI IZLASIET INSTRUKCIJU. SAGLABĀJIET ŠO INSTRUKCIJU TURPMĀKAI ATSAUCEI.

LT Anksto surinktas židiny

PRIEŠ SURINKDAMI ĮDĖMIAI PERSKAITYKITE ŠIAS INSTRUKCIJAS. SAUGOKITE ŠIĄ INSTRUKCIJĄ, KAD ATEITYJE PRIREIKUS GALĖTUMĖTE PERŽIŪRĖTI.

RU Готовый к использованию камин

ПЕРЕД СБОРКОЙ ВНИМАТЕЛЬНО ОЗНАКОМЬТЕСЬ С НАСТОЯЩИМ РУКОВОДСТВОМ. СОХРАНИТЕ РУКОВОДСТВО НА БУДУЩЕЕ.

Appliance code/Laitteen koodi/Produktkod/ Seadme kood/Ierices kods/Prietaiso kodas/Код устройства:		UNI-1964-GTS13 (262931)
<p>EN Fireplace for solid fuels, construction type 1. THIS FIREPLACE IS NOT A CONTINUOUS COMBUSTION FIREPLACE. THE FIREPLACE IS SUITABLE FOR A CHIMNEY WITH SEVERAL CONNECTIONS. USE ONLY THE RECOMMENDED FUELS: FIREWOOD, WOOD BRIQUETTES, AND BROWN COAL BRIQUETTES.</p> <p>FI Kiinteällä polttoaineella lämmitettävä takka, valmistustapa 1. TÄMÄ TULISIJA EI OLE JATKUVALÄMMITTEINEN. TÄTÄ TAKKAA VOI KÄYTTÄÄ JAETTUUN HORMIIN. KÄYTÄ VAIN SEURAAVIA POLTTOAINEITA: PUUHALOT, PUUBRIKETIT, RUSKOHILIBRIKETIT.</p> <p>SV Braskamin för fasta bränslen, konstruktionstyp 1. DENNA BRASKAMIN ÄR INTE AVSEDD FÖR KONTINUERLIG FÖRBRÄNNING. BRASKAMINEN ÄR LÄMPLIG FÖR EN SKORSTEN MED FLERA ANSLUTNINGAR. ANVÄND ENDAST REKOMMENDERADE BRÄNSLEN: VED, TRÄBRIKETER ELLER BRUNKOLSBRIKETER.</p> <p>ET Tahkekütusel töötav kamin, konstruktsioon 1. KÄESOLEV TULEASE EI OLE PIDEV KÜTTEGA. SEDA KAMINAT VÕIB KASUTADA MITMELÕORILISE KORSTNA PUHUL. KASUTAGE AINULT JÄRGMISI KÜTTEAINEID: PUUHALUD, PUUBRIKETT, PRUUNSOEBRIKETT.</p> <p>LV Cietā kurināmā kamīns, konstrukcijas tips 1. ŠIS KAMĪNS NAV NĒPĀRTRAUKTĀS DEGŠANAS KAMĪNS. KAMĪNS IR PIEMĒROTS DŪMENIM AR VAIRĀKIEM SAVIENOJUMIEM. IZMANTOJIET TĪKAI IETEIKTO KURINĀMO: MALKU, KOKSNES BRIKETES, BRŪNOGLU BRIKETES.</p> <p>LT Krosnelė kietajam kurui, konstrukcinis tipas 1. TAI NĖRA NUOLATINIO DEGIMO KROSNELĖ. KROSNELĖ TINKA NAUDOTI SU KELIŲ SUJUNGIMŲ KAMINU. NAUDOKITE TIK REKOMENDUOJAMĄ KURĄ: MALKAS, MEDŽIO BRIKETUS, MEDŽIO ANGLIES BRIKETUS.</p> <p>RU Каминная топка для твёрдых видов топлива, тип конструкции №1. ДАННАЯ ТОПКА НЕ ЯВЛЯЕТСЯ ТОПКОЙ НЕПРЕРЫВНОГО ГОРЕНИЯ. ТОПКУ МОЖНО ПОДКЛЮЧАТЬ К ОБЩЕМУ ДЫМОХОДУ. ИСПОЛЬЗОВАТЬ ТОЛЬКО РЕКОМЕНДУЕМЫЕ ВИДЫ ТОПЛИВА: ДРОВА, ДРЕВЕСНЫЕ БРИКЕТЫ, БРИКЕТЫ ИЗ БУРОГО УГЛЯ.</p>		
<p>SPECIFICATIONS (fuel: firewood)/TEKNISET TIEDOT (polttoaine: halko)/SPECIFIKATIONER (bränsle: ved)/ TEHNILISED (küteteaine: halud)/SPECIFIKACIJAS (kurināmais: malka)/SPECIFIKACIJOS (kuras: malkos)/ TEX. ХАРАКТЕРИСТИКИ (топливо: дрова)</p> <p>Total heat output/Kokonaislämpöteho/Total värmeeffekt/Summaarne soojusvõimsus/ Korjēja siltuma atdeve/Bendras šilumos išskyrimas/Общая тепловая мощность: 7,2 kW / кВт</p> <p>Efficiency rate/Hyötysuhde/Verkningsgrad/Kasutegur/ Efektivitate/Efektyvumo koeficientas/Эффективность: 78 %</p> <p>Average CO-emission/Keskim. häkäpitoisuus/ Genomsnittligt CO-utsläpp/ Kesk. CO-sisaldus/ Vidējās CO emisijas/Vidutinės CO emisijos/Средняя эмиссия CO: 0,10 % / 1250 mg/Nm³ / мг/м³</p> <p>Dust/Pölypitoisuus/Damm/Tolmusisaldus/Putekļi/Dulkės/Эмиссия пыли: 15 mg/Nm³ / мг/м³</p>		
<p>SAFE DISTANCE TO COMBUSTIBLE MATERIALS/ VÄHIMMÄISETÄISYYSPALAVA-AINEISIIN RAKENNUSOSIIN/LÄHEISIIN MATERIAALEIHIN/ SÄKERHETSAVSTÅND TILL BRÄNNBARA MATERIAL/ OHUTUSVAHEMAAD PÕLEVmaterjalidest ehitusosadeni/ DROŠS ATTĀLUMS LĪDZ DEGSPĒJĪGIEM MATERIĀLIEM/ SAUGUS NUOTOLIS IKI DEGIŲ MEDŽIAGŲ/БЕЗОПАСНОЕ РАСТОЯНИЕ ДО ВОСПЛАМЕНЯЮЩИХСЯ МАТЕРИАЛОВ:</p> <p>on the sides/sivuilla/på sidorna/külgsuunas/sānos/sonuose/по сторонам 34 cm/cm on the backside/takana/på baksidan/tagaküljelt/aizmugurē/gale/сзади 40 cm/cm at the front/edessä/på framsidan/esiküljelt/priekšpusē/priekyje/спереди 80 cm/cm</p>		
<p>Tested according to: EN 13240:2001 and A2:2007/ Testattu standardien EN 13240:2001 ja A2:2007 mukaan./ Testad enligt: EN 13240:2001 och A2:2007/ Testitud standardite EN 13240:2001 ja A2:2007 nõuete kohaselt./ Testēts saskaņā ar: EN 13240:2001 un A2:2007/ Patikrinta pagal: EN 13240:2001 ir A2:2007/ Проверено согласно: EN 13240:2001 и A2:2007</p>		
<p>EN PLEASE READ AND FOLLOW THE USER MANUAL. FI LUE KÄYTTÖOHJEET JA NOUDATA NIITÄ. SV LÄS OCH FÖLJ BRUKSANVISNINGEN. ET LUGEGE KASUTUSJUHISED LÄBI JA JÄRGIGE NEID. LV LŪDZAM IZLASĪT UN IEVĒROT LIETOŠANAS INSTRUKCIJU. LT PERSKAITYKITE NAUDOTOJO INSTRUKCIJĄ IR JOS LAIKYKĪTĖS. RU ПРОЧИТЕ РУКОВОДСТВО ПО ЭКСПЛУАТАЦИИ И СЛЕДУЙТЕ ЕГО УКАЗАНИЯМ.</p>		
<p>Info/Tootja/Ražotājs/Gamintojas/Изготовитель: Tammer Brands Oy, Viinikankatu 36, 33800 Tampere, Finland/Тампере, Финляндия www.mustang-grill.com</p>	<p>Lot no/Eränro/Partinr/ Seerianumber/Partijas Nr/ Partijos Nr/Nº партии: 0566931221</p>	 <p>1625</p>

Congratulations on choosing your Mustang product! The Mustang family of barbecuing products was designed for cooking good food. Our line includes a wide range of barbecuing and cooking products. Go to www.mustang-grill.fi or your nearest licensed Mustang retailer to find out more about our selection of products!

We are continually developing the Mustang line and other products it has to offer. Feedback from users plays an important role in our product development for quality assurance. We are always happy to receive any feedback on our products at mustang@mustang-grill.fi.

Please carefully go over the user instructions so you will get the most out of your grill. With careful, regular cleaning and maintenance of your grill, you will prolong its life and safety. The Mustang line of products also offers proper cleaning products and tools for its care.

For more information, go to www.mustang-grill.fi.

Preassembled Fireplace Basement

Please read these operating instructions carefully and thoroughly. These instructions will inform you about the functionality and handling of this fireplace. This will increase the value of use of the unit and increase its lifetime. In addition, you can save fuel and help the environment by heating correctly.

We are only able to grant a guarantee on our products if you maintain the following guide-lines as set out in these set-up and operating instructions.

Store these operating instructions so that you will be able to consult them again at the start of every heating period thereby ensuring that you are familiar with the correct operation of your fireplace.

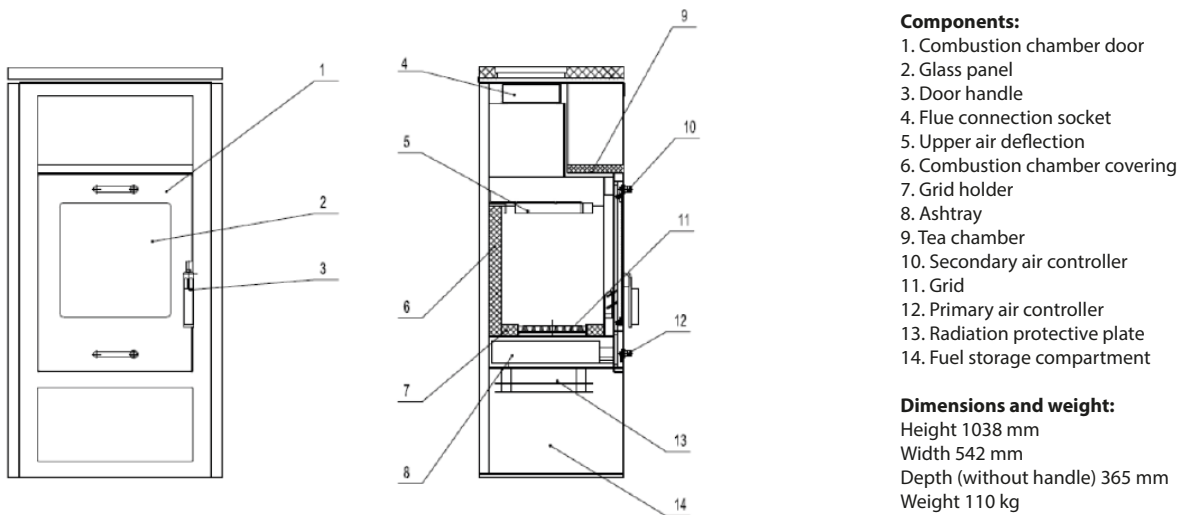
Description

Fireplaces are ideal for heating living and working areas. The body of the fireplace is formed from a welded steel construction. The heating of the air in the room and the creation of a comfortable climate is achieved by means of radiation and convection heat. This means that you are able to rapidly heat cool rooms that have not been heated for some time. The room air enters the fireplace via the primary and secondary air controllers.

The air is heated in the combustion chamber and fed to the flue gas outlet above the combustion chamber. In doing so, the upper section of the combustion chamber heats up considerably and the warm air that is generated on the interior of the chamber distributes itself throughout the room.

The proportion of radiation heat comes from the heat radiation in the vicinity of the window in the combustion chamber door, from the metal surfaces of the fireplace and, if present, from the surfaces on the side panels that are clad with natural stone or ceramic tiles.

The proportion of convection heat occurs primarily when using double-wall construction models and is generated when cold air enters through the lower air controllers into the hollow chambers at the sides, heats up considerably, rises and is fed back through the upper air controllers into the room.



Components:

1. Combustion chamber door
2. Glass panel
3. Door handle
4. Flue connection socket
5. Upper air deflection
6. Combustion chamber covering
7. Grid holder
8. Ashtray
9. Tea chamber
10. Secondary air controller
11. Grid
12. Primary air controller
13. Radiation protective plate
14. Fuel storage compartment

Dimensions and weight:

- Height 1038 mm
- Width 542 mm
- Depth (without handle) 365 mm
- Weight 110 kg
- Diameter of pipe 150 mm

General notes, safety notes

National and European norms, local and construction regulations as well as fire authority directives are to be maintained. In order to set-up your fireplace, you must observe the fire department regulations and country-specific regulations that are binding for the location you set it up in, as well as consult the relevant local chimney sweep/chimney professional. They will also check that the unit has been correctly connected to the chimney.

Before setting up, check to ensure that the sub-construction has a payload that is able to accommodate the fireplace. In the event of an insufficient payload, suitable measures must be taken to achieve such (e.g. a suitable slab to distribute the load).

All of the legally required tests have been carried out for your fireplace. The prescribed specific values with regard to heating-technical effectiveness and smoke emissions have been maintained.

The fireplace that is described in these instructions is of construction type 1 (BA 1) and has been tested according to DIN 18891 ("Chimney fireplaces for solid fuels") and EN 13240. The fireplaces of construction type 1 (see type plate) may be connected to a multiple connection chimney if the chimney dimensions permit this in accordance with EN 13384 or 13384-2. The fireplace is a slow combustion fireplace.

With fireplaces of construction type 1, the door springs of the combustion chamber door may not be removed when a device of this type is connected to a multiple connection chimney. Classification of construction type 1 is made by a self-closing combustion chamber door. The combustion chamber doors may only be opened to add fuel and to remove ashes. Otherwise, these should be kept closed, even when the fireplace is not in use, in order to prevent them influencing other fireplaces and thus to prevent the associated risks.

A sufficient supply of fresh air to the room in which the fireplace is set up must be ensured. Windows and doors in the room may not be sealed too tightly in order to ensure the necessary air supply for combustion. Even when exhaust systems (bathroom vents, extraction hood in the kitchen etc.) are operated within the apartment or any other connected units, the required minimum amount of air must still be able to flow to the fireplace.

Caution! The fireplace may not be operated in conjunction with controlled air conditioning systems.

The operation of the fireplace is not at risk if the systems simply circulate the air around a room, or if the systems have safety features which automatically and reliably prevent under-pressure from occurring in the room. Please consult your chimney sweep or heating professional to ensure that sufficient combustion air feed is available.

The burning of fuels sets heat energy free, this leads to a considerable heating of the surfaces of the heating unit (doors, door and operating handles, windows, side panels, front panel, flue). Avoid touching these parts unless you are wearing appropriate heat-proof gloves! When stoking your fireplace, do not wear wide-cut or easily flammable pieces of clothing! Ensure that children are aware of these risks and keep them away from the fireplace when it is in operation.

If the fuel used is the incorrect type or too damp, the deposits in the chimney may cause a chimney fire. Close all air controllers to the fireplace and inform the fire services. After the chimney fire has burned out, have the chimney checked by a specialist for cracks and leaks.

Setting up the fireplace and connecting the chimney

The packaging of your new fireplace is designed to provide optimum protection from damage. It is, however, possible that damage to the fireplace or the accesso-

ries may occur during transportation. Please check your fireplace after unpacking for damages and to ensure that all the components are there! In the event of damage or missing items, immediately inform your fireplace retailer!

Comment: Loose air deflection plates or those that have slipped out of their anchorage or similar are not considered faults (see Chapter First use of your fireplace).

The packaging of your fireplace is, for the most part, environmentally neutral. The wood of the packaging has not been surface treated and can be cut up and used for heating purposes. The cardboard and other packaging materials can easily be recycled via community recycling centres.

With a fireplace with a self-closing combustion chamber door, a flue connection to a chimney already connected to other fireplaces is possible, as long as the chimney dimensions do not counteract this in accordance with EN 13384 or 13384-2.

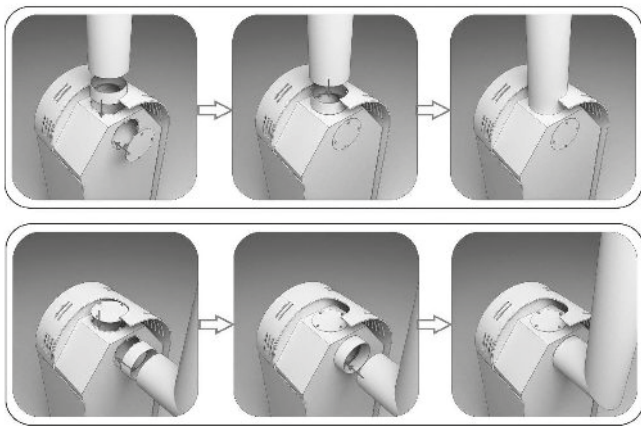
When operating multiple fireplaces in a single room or with the same flue connection, ensure that the combustion air supply is sufficient.

A 2-mm-thick steel plate flue should be used to connect to the chimney. The flue connection to both the flue connection socket and the chimney must be securely made and well-sealed. This secure and sealed connection is absolutely essential when connecting the flue elements to each other. It is essential to ensure that the flue does not extend into the free cross-section of the chimney. We recommend using a masonry liner to introduce it into the chimney.

When using extended flue gas piping, horizontal paths and constrictions must be avoided. Piping that rises in the direction of the chimney is recommended. In the event of a low chimney draught, we recommend connecting the fireplace via a vertical pipe at least 1 m in length.

Generally speaking, when connecting flues, the legal regulations are to be maintained. When connecting to a chimney above the upper flue connection, you should keep, for example, a distance of 40 cm from the flue to flammable construction elements. This minimum distance may be reduced to 10 cm if the flue is fitted with a non-flammable insulation at least 2 cm in thickness.

The correct connection of the flue is, in all instances, to be confirmed by the local chimney sweep or heating professional.



Safety distances (minimum distances):

When setting up the chimney, the authority prescribed fire protection regulations should be observed on principle. Consult your local chimney sweep or heating professional in this regard.

The minimum distance to flammable or temperature-sensitive materials (e.g. furniture, wallpaper, wood-cladding) or to load-bearing walls must be maintained as follows.

In the event of flammable or temperature-sensitive floor coverings, the device must be set-up on a non-flammable floor protective plate (e.g. steel plate, glass). Floor protective plates (underlay plate or guard) can be purchased from the accessories range carried by your retailer.

Minimum distance to inflammable parts:

A. Back 40 cm

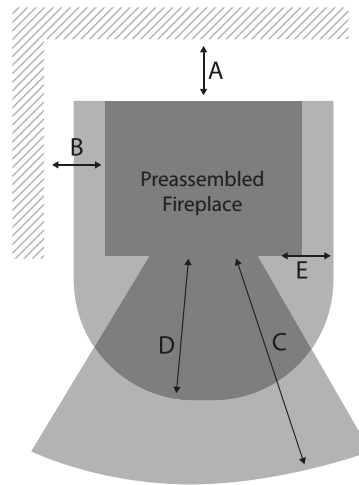
B. Lateral 34 cm

C. Area of heat radiation by glass panel 80 cm

Minimum distance to the edge of the protective plate (on temperature-sensitive floor covering):

D. Area of heat radiation by glass panel 50 cm

E. Inner wall of combustion chamber 30 cm



Operating the fireplace

The fireplace may only be heated by adults. Make sure that children are never left unattended with the fireplace (do not leave the fireplace unattended over a long period of time). The fireplace may only be used in accordance with these operating instructions. Please take note of the safety notes detailed in Chapter General notes, safety notes.

Permitted fuels

The fireplace is a slow combustion fireplace.

The fireplace is suitable for low-smoke fuels.

Permitted fuels are split logs with a length of 30 cm and a diameter of 10 cm as well as brown coal briquettes.

Only air-dried split logs may be used, a maximum of 20% water is achieved by at least one year of drying time for soft woods or two years for hardwoods.

Caution! Wood is not a slow-burning fuel, thus overnight heating with the fireplace is not possible. Caution: Never use waste, such as wallpaper, plywood rubbish, plastics or treated wood for heating!

Pay attention to country-specific regulations.

Setting the combustion air controllers

Please follow these recommended settings, thus ensuring that the heating energy of the fuel is used optimally, saving fuel and helping the environment.

First use of your fireplace

Before using your fireplace for the first time, remove any stickers and take all accessories out of the ashtray or combustion chamber, this also applies to any transport safety mechanisms used. For models with ceramic fibre or vermiculite air deflection plates, check whether these plates are positioned in their anchorage (they may have slipped out of place during transportation or set-up of the fireplace). Otherwise, you will have to hang the plates back into position.

For fireplaces with ceramic tiles or stones, place these in the combustion chamber. The ceramic tiles or stones should be wiped with a dry cloth.

The first time the fireplace is lit, carefully position the fuel and "burn it in" on a low flame. All materials must slowly get used to the heat development. Careful heating prevents cracks in the covering stones, paint damage and material distortion. Odours caused by the drying of the protective paintwork cannot be prevented, but will dissipate after a short time. During heating, ensure that the room is well-ventilated.

Using the flue connection socket on the rear (not available for all models)

Some fireplace models can be connected to the chimney via the flue connection socket on the rear. The appropriate instructions are enclosed separately with these models.

Igniting and heating

First, place 2 or 3 split logs (around 1.5 to 2.0 kg) on the bottom of the combustion chamber or grid. On top of these logs, place uncoated paper, cardboard or a firelighter, and then add brushwood, small pieces of firewood or briquette pieces. All available air controllers should be opened as far as possible. After igniting, close the combustion chamber door.

Remember that the entire fireplace body as well as the air controllers for the air supply will get very hot! Always use appropriate gloves!

Adding fuel

A great influence on the cleanliness of the window is, alongside the use of suitable fuel and sufficient chimney draught, the way in which the fireplace is used. In this conjunction, we recommend adding fuel in a single layer and using the largest possible pieces (around 30 cm) in order to fill the full width of the combustion chamber. Briquettes should be positioned in the combustion chamber in such a way that they create a layer (around 5 to 10 mm gap between briquettes). Caution! Further fuel should only be placed on embers (no flame left).

Before opening the combustion chamber door, close all the air controllers fully in order to prevent smoke from exiting the combustion chamber into the living room. After adding fuel, close the combustion chamber door again. Then, imme-

diately open all air controllers as far as they will go to reduce the time needed to ignite the fuel as much as possible. As soon as the fuel is burning in a lively manner, slowly change the control setting back to the setting described (when burning split logs, first close the primary air controller I. If the fuel used is the incorrect type or too damp, the deposits in the chimney may cause a chimney fire. In this case, close all air intakes to the fireplace and inform the fire services. After the chimney fire has burnt out, the chimney must be checked by a professional for cracks and leaks. Never douse a fire or embers using water! You may, among other things, damage the fireplace and, in particular, the glass!

Combustible material: split logs

Max capacity: 2 logs (1.5–2.0 kg) or 1 wood briquette (1.5 kg)
 Primary air controller: open for 10 minutes (MAX), then close (MIN)
 Secondary air controller (at the door): 1/2 open

Combustible material: brown coal briquettes

Max capacity: 2–3 briquettes (1.5–2.0 kg)
 Primary air controller: 1/3 open
 Secondary air controller (at the door): 1/3 open

Operating in the seasonal transition period

In the seasonal transition period or when the exterior temperatures are higher, a sudden increase in temperature may, under certain circumstances, result in problems with the chimney draught (fireplace draught) which means that the exhausted smoke is not drawn off fully. For this reason, during the transition period, the fireplace should only be operated with a very small amount of fuel in order to be able to improve the combustion and draught by opening the air controllers. The existing fuel then burns off faster with flames and thus stabilises the chimney draught. To prevent obstructions in the air flow to the embers, the ash should be removed frequently.

Emptying the ashes

After burning for a long time and at least once a day, the ash should be removed through the grid with the help of a poker into the ashtray and the ashtray should be emptied. This is best carried out in the morning after heating overnight when the embers and the fireplace are in a relatively cold state. Make sure that the ashtray is emptied when it is approximately half full to ensure that the pile of ash does not get too close to the grid. If the grid is trapped in the pile of ash, it is possible that it may overheat and become damaged since no air can be fed to it to cool it down.

Ash deposits under the air deflection plates can best be removed with a suitable ash vacuum. For some models, the upper air deflection plate must be pushed forwards to do this. This must then always be pushed back into the original position on the rear wall of the fireplace after you have finished cleaning. For models with exchangeable flue connection sockets it may be necessary to also open up the closed flue connections and to clean from this position as well.

Caution:

Before emptying the ashes, always check to ensure that there are no residual embers in the ashes. Even if the ash is cold, there may still be embers in it which could lead to a fire in the waste bin. Wood ash can be used as fertiliser.

Emission limitation

The fireplace is designed for burning low-smoke fuels. In accordance with the EU regulations on emissions the following may, for example, not be burnt:

- Damp wood or wood that has been treated with wood protection,
- Finely shredded wood,
- Paper and cardboard (except for lighting purposes),
- Bark or plywood waste,
- Plastic or other waste.

The burning of these materials not only damages the environment, the lifetime of your fireplace is also shortened, and the chimney may be damaged. Regular cleaning and care of your fireplace reduces polluting emissions. Bark on split logs may, of course, be burnt.

Cleaning and maintenance

At least once a year, and more frequently, if necessary, clean and maintain the fireplace when it is in a cold state. Remove ash deposits in the flue and on the smoke and air deflection plates. Air deflection plates made from ceramic fibre or vermiculite can be removed to clean them. Please replace these carefully in the same place after you have cleaned them. An ash vacuum with fine particle filter is very suitable for cleaning the flues. Dirt on the window can be best removed in the most environmentally friendly fashion with a water-dampened pan cleaning sponge dipped in wood ash or another ordinary household glass cleaner. The chimney must also be cleaned regularly by a chimney sweep. The relevant chimney sweep will inform you of the necessary intervals. The fireplace should be checked once a year by a specialist.

If the flues are to be removed for cleaning, the correct connection of the fireplace to the chimney system must be approved by the local chimney sweep or heating professional.

Faults, causes

The fireplace heats badly or smokes if:

The fireplace selected is too small for the size or construction of the room.

- Select the correct fireplace size.

The fireplace or fireplace flue are covered in soot.

- Clean the fireplace and fireplace flues on a regular basis.

The connection of the fireplace to the chimney is leaky.

- Check the connection and seal.

The fireplace is fuelled with the incorrect fuel.

- Use fuel in accordance with the operating instructions.

The fireplace has been connected incorrectly or the chimney is overloaded.

- Consult your chimney sweep or heating professional.

There is a lack of fresh air supply from out- side.

- Air more frequently and possibly even remove window seals.

Disposal

Disposing of the device

This device may not be disposed of with the household waste! Ensure it is disposed of professionally. Information can be obtained from the relevant waste disposal authorities.

Disposing of the packaging

The packaging consists of cardboard and marked plastics that can be recycled. – Take these materials to a recycling cen

Guarantee

The seller grants the guarantee for this device fully in accordance with the relevant national legal requirements (hereinafter referred to as the “National legal requirements”) that the purchasing contract closed between the seller and the purchaser (hereinafter referred to as the “Purchasing contract”) is subject to. The binding National legal requirements always take priority over the conditions set out in these operating instructions.

If these instructions do not contradict the National legal requirements or if the National legal requirements do not determine otherwise, the following regulation applies to the purchasing contract:

General

The seller offers a one year guarantee for this unit within the framework of the guarantee guide- lines, the exception to this are sounds of physical expansion as well as parts that come into direct contact with fire, fireclay, glass, seals, consumables. The guarantee starts with the day of delivery. The invoice is to be used as the proof of purchase.

Guarantee guidelines

1. The seller takes on the guarantee for a period of one year as of delivery to the end consumer for
 - 1a) perfect material properties meeting the purpose and for the manufacturing,
 - 1b) correct construction
 - 1c) maintenance of the nominal heating performance (Watt) in accordance with EN 13240 and room heating capability in accordance with DIN 18893 (see device type plate, technical data).The guarantees 1) through 2) extend to the free repair of the device or the claimed parts. A claim for free replacement is only in place for parts which display faults in the material and workmanship. Further claims are excluded.
2. The seller does not guarantee for damage and faults to devices or parts thereof that are caused by:
 - 2a) exterior, chemical or physical effects of transportation, storage, set-up and use of the device (e.g. shocking with water, food that boils over, condensation, overheating as a result of incorrect operation (e.g. open ashtray), hairline cracks formed in enamel parts is not a lack of quality,
 - 2b) incorrectly selected fireplace size,
 - 2c) not observing the relevant appropriate construction regulations,
 - 2d) error in the set-up and connection of the device,
 - 2e) insufficient or too strong a chimney draught,
 - 2f) unprofessionally carried out maintenance work or other, in particular, subsequent changes to the fireplace or exhaust pipe (fireplace flue and chimney),
 - 2g) use of unsuitable fuels,
 - 2h) incorrect operation; overloading of the device (see operating instructions of the manufacturer),
 - 2i) wear of those parts directly exposed to the flames and made of iron, fireclay or glass, inso- far as they are not covered by the guarantee (1a),
 - 2j) incorrect handling,
 - 2k) insufficient care, use of unsuitable cleaning agents.

Onnittelut Mustang-tuotteen valinnasta! Mustangin grillaustuoteperhe on suunniteltu hyvän ruoan valmistamiseen. Tuoteperheeseen kuuluu kattava valikoima grillaus- ja ruoanlaittutuotteita. Tutustu koko valikoimaan verkossa osoitteessa www.mustang-grill.com tai lähimmällä valtuutetulla Mustang-jälleenmyyjällä.

Kehitämme Mustang-tuoteperhettä ja siihen kuuluvia tuotteita jatkuvasti. Laadun takaamiseksi käyttäjiltä saatu palaute on tuotekehityksessämme erityisen tärkeässä roolissa. Otamme mielellämme vastaan tuotteisiin liittyvää palautetta osoitteeseen mustang@mustang-grill.com.

Tutustu huolella käyttöohjeeseen, jotta saat laitteesta parhaan hyödyn. Huolehtimalla tuotteen säännöllisestä puhdistuksesta ja huollosta pidennät sen käyttöikää ja turvallisuutta. Mustang-tuotesarjasta löydät myös asianmukaiset puhdistusaineet ja harjat grillin puhdistukseen.

Lisätietoja löydät osoitteesta www.mustang-grill.com.

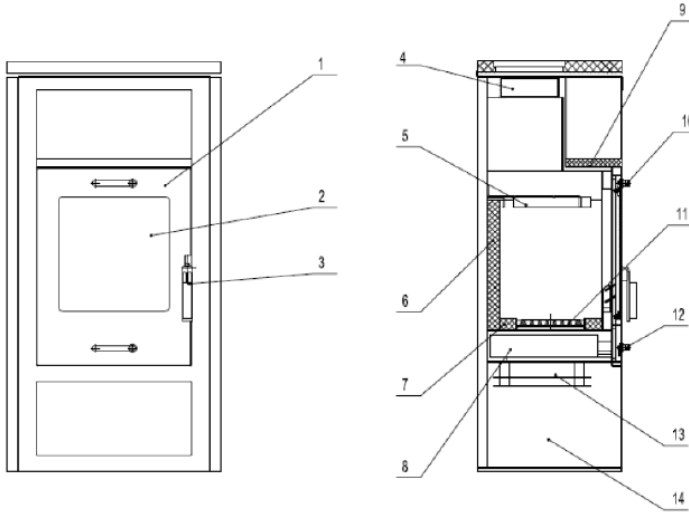
Valmistakka Basement

Lue nämä käyttöohjeet huolellisesti. Ohjeissa kerrotaan tärkeitä tietoja takan toiminnasta ja käyttämisestä. Ohjeiden avulla saat takastasi suuremman hyödyn ja pidennät sen käyttöikää. Lisäksi säästät polttoainetta ja ympäristöä. Tuotteen takuu on voimassa ainoastaan, jos asiakas noudattaa näissä asennus- ja käyttöohjeissa annettuja ohjeita. Säilytä käyttöohjeet, jotta voit palauttaa ohjeet mieleesi aina lämmityskauden alkaessa ja osaat käyttää takkaa oikein.

Kuvaus

Takka soveltuu erinomaisesti asuin- ja työtilojen lämmittämiseen. Takassa on hitsattu teräsrunko. Lämpö säteilee ja johtuu takasta sitä ympäröivään huoneilmaan ja lämmittää tilan miellyttävällä tavalla. Takka antaa nopeasti lämpöä myös viilleisiin tiloihin, joita ei ole lämmitetty pitkään aikaan. Huoneilma kulkeutuu takkaan primääri- ja sekundääri-ilmanottoaukoista. Ilma lämpenee tulipesässä ja kulkeutuu hormiin. Tällöin tulipesän yläosa kuumenee ja sen ulkopuolelle syntyvä lämpö kulkeutuu huoneeseen.

Lämpösäteilyä tulee tulipesän lasiluukusta, metallipinnoista sekä mahdollisista luonnonkivillä tai kaakeleilla peitetyistä sivupaneeleista säteilevästä lämmöstä. Lämmön johtumista esiintyy ensisijaisesti kerrosrakenteisissa takkamalleissa, kun kylmä ilma kulkeutuu alaosan ilmanottoaukoista sivuosien onttoihin kammioihin, kuumenee, nousee ja palaa huoneilmaan takan yläosan aukoista.



Osat:

1. Tulipesän ovi
2. Lasilevy
3. Ovenkahva
4. Hormiliitintäkappale
5. Katon ilmanohjaus
6. Tulipesän pinnoite
7. Ritilän pidike
8. Tuhkalaatikko
9. Juomien lämmityskammio
10. Sekundäärinen ilmansäädin
11. Ritilä
12. Primäärinen ilmansäädin
13. Säteilyn suojalevy
14. Palavan aineksen säilytyslokero

Mitat ja paino:

- Korkeus 1 038 mm
- Leveys 542 mm
- Syvyys (ilman kahvaa) 365 mm
- Paino 110 kg
- Piipun läpimitta 150 mm

Yleiset huomautukset ja turvallisuusohjeet

Noudata aina paikallisia ja eurooppalaisia lakeja ja säädöksiä sekä paloturvallisuusmääräyksiä. Tutustu paloturvallisuusmääräyksiin ja maakohtaisiin säädöksiin ennen takan asennusta. Ota lisäksi yhteys paikalliseen nuohoojaan. Anna alan ammattilaisten tarkistaa, että takka on liitetty hormiin asianmukaisella tavalla. Tarkista ennen asennusta, että asennusala kestää takan painon. Jos alusta on liian heikko, sitä on vahvistettava asianmukaisesti (esim. kuormitusta jakavalla levyllä).

Takka on testattu kaikkien lain vaatimien testien mukaisesti. Takka täyttää kaikki vaaditut lämmitystehokkuuteen ja päästöihin liittyvät raja-arvot.

Näissä ohjeissa kuvatus takan rakenne on tyyppiä 1 (BA 1), ja se on testattu standardien DIN 18891 (kiinteät polttoaineet) ja EN 13240 mukaisesti. Tyyppin 1 takat (ks. tyyppikilpi) voidaan liittää monihormiseen piippuun, jos piipun mitat ovat standardin EN 13384 tai 13384-2 mukaiset. Takka on hitaasti polttava tulisija. Rakennetyypin 1 takkojen tulipesän luukun sulkujousia ei saa poistaa, jos takka on liitetty monihormiseen piippuun. Rakennetyypin 1 määritelmänä on itsestään sulkeutuva tulipesän luukku. Tulipesän luukut saa avata ainoastaan polttoaineen lisäämistä ja tuhkien poistamista varten. Muulloin niiden on oltava aina suljettui-

na, vaikka takka ei olisi käytössä, jotta avoimet luukut eivät vaikuta mahdollisten muiden takkojen toimintaan ja aiheuta vaaroja. Tilassa, johon takka asennetaan, on oltava riittävä ilmansaanti. Tilan ikkunoita ja ovia ei saa sulkea liian tiiviisti, jotta ilma riittää palamisprosessiin. Takan on saatava tarvittava määrä ilmaa, vaikka asunnossa tai siihen yhteydessä olevissa tiloissa olisi samanaikaisesti käytössä ilmanpoistojärjestelmiä (kylpyhuoneen tai keittiön poistoilmaventtiilejä, liesituuletin jne.).

Varoitus! Takkaa ei saa käyttää, jos tilassa on koneellinen ilmastointijärjestelmä. Takan käyttö ei aiheuta vaaraa, jos järjestelmä vain kiertää ilmaa huoneessa tai jos järjestelmässä on turvaominaisuuksia, jotka estävät alipaineen muodostumisen tilaan automaattisesti ja luotettavasti. Varmista nuohoojalta tai lämmitysalan ammattilaiselta, että tilan ilmansaanti on riittävä.

Polttoaineiden polttaminen vapauttaa lämpöenergiaa, minkä vuoksi takan pinnat (luukut, luukkujen kahvat, lasit, sivupaneelit, etupaneeli, hormi) kuumenevat. Älä koske kuumiin osiin ilman asianmukaisia suojakäsineitä! Huolehdi, ettei

ylläsi ole liehuvia tai helposti syttyviä vaatteita, kun lisäät takkaan puita tai hiiliä. Varmista, että lapset ymmärtävät takan vaarat, ja pidä lapset loitolla takasta, kun se on käytössä.

Jos käytetty polttoaine on vääränlaista tai liian kosteaa, hormiin kulkeutuvat jäämät saattavat aiheuttaa hormipalon. Sulje tällöin kaikki takan ilmanottoaukot ja soita hätäkeskukseen. Kun hormipalo on sammunut, tarkistuta hormi ammattilaisella halkeamien ja vuotojen varalta.

Takan asennus ja hormiliitos

Takan pakkausmateriaalit on suunniteltu siten, että ne suojaavat takkaa vaurioilta mahdollisimman hyvin. On kuitenkin mahdollista, että takka tai sen osat ovat vaurioituneet kuljetuksen aikana. Tarkista takka pakkauksen purkamisen jälkeen vaurioiden varalta ja varmista, ettei osia puutu! Jos havaitset vaurioita tai osia puuttuu, ota välittömästi yhteys jälleenmyyjään.

Huom.: Irtonaisia ilmanottoaukkojen suojuksia ei lueta vaurioiksi (katso luku Ensimmäinen käyttö).

Takan pakkausmateriaalit ovat pääosin ympäristölle haitattomia. Pakkauksessa käytettyä puuta ei ole pintakäsitelty, joten se voidaan pilkkoa ja käyttää poltto-aineena. Pahvi ja kartonki voidaan toimittaa kierrätykseen.

Takka, jossa on itsestään sulkeutuva tulipesän luukku, voidaan liittää savupiippuun, johon on jo liitetty muita takkoja, jos piipun mitat täyttävät standardin EN 13384 tai 13384-2 kaikki asianmukaiset vaatimukset.

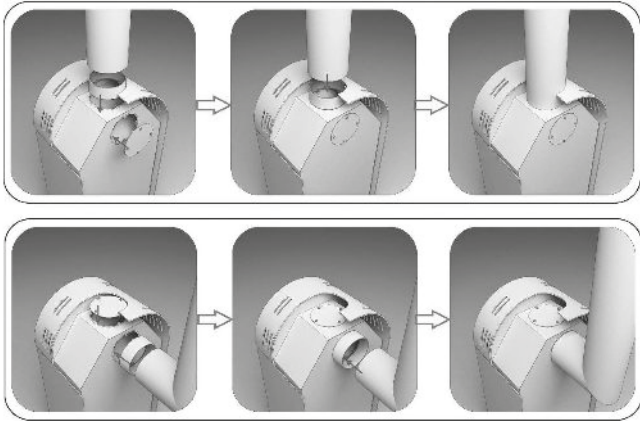
Jos samassa tilassa tai samassa piipussa käytetään useita takkoja, varmista, että tilan ilmansyöttö on riittävä.

Hormin liitosputken on oltava 2 mm:n paksuista terästä. Hormiliitos on tehtävä molemmista päistä asianmukaisesti ja tiivistettävä hyvin. Kaikki hormiliitoksen osat on ehdottomasti liitettävä toisiinsa turvallisesti ja tiiviisti. Hormi ei saa jatkua savupiipun läpiviennin alueelle. Suosittelemme hormin ja piipun välisen liitoksen tekemistä muuraamalla.

Pitkässä savuhormissa tulee välttää vaakasuoria ja mahdollisia tukoksia aiheuttavia osioita. Hormin on suositeltavaa olla kohtisuora ja savupiipun suuntainen. Jos piippu vetää huonosti, takka kannattaa liittää piippuun pystysuoralla, vähintään metrin pituisella putkella.

Hormiliitokset on aina tehtävä voimassa olevien lakien ja säädösten mukaisesti. Esimerkiksi hormin ja piipun liitosta tehtäessä hormin etäisyyden syytyviin rakenneseisiin tulisi olla vähintään 40 cm. Vähimmäisetäisyyttä voidaan pienentää 10 cm:llä, jos hormin asennuksessa käytetään syytymätöntä, vähintään 2 cm:n paksuista eristettä.

Hormiliitoksen toimivuus on aina tarkistettava paikalliselta nuohoojalta tai lämmitysalan ammattilaiselta.



Turvaetäisyydet (vähimmäisetäisyydet):

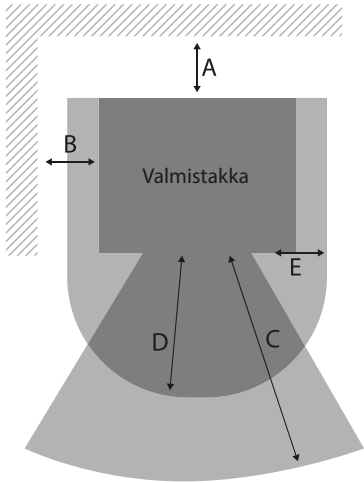
Savupiipun asennuksessa on aina noudatettava paikallisia paloturvallisuusmääräyksiä. Kysy lisätietoja nuohoojalta tai muulta alan ammattilaiselta.

Asennuksessa on aina huomioitava turvaetäisyys syytyviin tai lämmölle herkkiin materiaaleihin (kuten huonekaluihin, tapetteihin, puupanelointiin) tai kantaviin seiniin.

Jos asennusala on syytyvä tai herkkä lämmölle, takan alle on asetettava syytymätön lattiasuojalevy (esim. teräs- tai lasilevy).

Vähimmäisetäisyys syytyviin materiaaleihin:

- A. Takana 40 cm
- B. Sivulla 34 cm
- C. Lämpösäteilyn kantavuus lasilevyn edessä 80 cm
- Vähimmäisetäisyys suojalevyn reunoihin (lämpöherkillä lattiapinnoilla):
- D. Lämpösäteilyn kantavuus lasilevyn edessä 50 cm
- E. Tulipesän sisäseinistä 30 cm



Takan käyttö

Takka on tarkoitettu ainoastaan aikuisten käyttöön. Varmista, etteivät lapset jää takan luo ilman valvontaa (äläkä jätä takkaa muutoinkaan pitkäksi aikaa valvomatta). Takkaa saa käyttää vain näiden käyttöohjeiden mukaisesti. Huomioi kohdassa Yleiset huomautukset ja turvallisuusohjeet ja Turvaohjeet.

Sallitut polttoaineet

Takka on hitaasti palava tulisija. Takka sopii vähän savua tuottaville polttoaineille. Sallittuja polttoaineita ovat 30 cm:n pituiset ja halkaisijaltaan 10 cm:n kokoiset polttopuut sekä ruskohiilibriketit.

Polta ainoastaan ilmakuvattuja polttopuita, joiden vesipitoisuus on enintään 20 %. Sallittu vesipitoisuus saavutetaan pehmeillä puulajeilla vuoden ja kovilla puulajeilla kahden vuoden kuivausajalla.

Varoitus! Puu ei ole hitaasti palava polttoaine, joten takkaa ei voi polttaa yön yli. Varoitus: älä polta takassa roskia, kuten tapettia, vaneria, muovia tai käsiteltyä puuta!

Noudata maakohtaisia säädöksiä.

Tulipesän ilmansäätimien säätäminen

Noudata suositusta, jotta polttoaine palaa optimaalisesti. Tämä säästää sekä polttoainetta että ympäristöä.

Ensimmäinen käyttö

Poista takasta mahdolliset tarrat ja pakkauksessa käytetyt materiaalit ja tarkista, ettei tuhkaluukkuun tai tulipesään ole jäänyt osia. Jos takassa on keraamisesta kuidusta tai verkkuiliitista valmistetut ilmanottoaukkojen suojukset, tarkista, että suojukset ovat asianmukaisesti kiinnikkeessään (ne ovat saattaneet luiskahtaa paikaltaan paljetuksen tai asennuksen aikana). Aseta kiinnikkeet paikoilleen, jos ne ovat irti.

Jos takkaan kuuluu kaakeleita tai kiviä, aseta ne paikoilleen. Pyyhi kaakelit ja kivet kuivalla liinalla.

Kun takkaa käytetään ensimmäistä kertaa, asettele polttoaine huolellisesti tulipesään ja polta se pienellä liekillä. Materiaalit totutetaan syntyvään lämpöön pikkuhiljaa. Hidas lämmitys ehkäisee eristyskivien halkeamista, maalivaurioita ja materiaalien vääntymistä. Suojamaalin kuivumisesta aiheutuu hajua, joka häviää lyhyen ajan kuluessa. Varmista lämmityksen aikana, että huoneen ilmanvaihto on riittävä.

Takahormiliitännän käyttö (jos varusteena)

Joissain takkamalleissa hormiliitos voidaan tehdä takan takaosasta. Liitäntäohjeet toimitetaan takan mukana.

Voit tarvittaessa tilata osat takan jälleenmyyjältä.

Syyttäminen ja lämmittäminen

Aseta ensin kaksi tai kolme polttopuuta (noin 1,5–2,0 kg) tulipesän pohjalle tai arinalle. Aseta puiden päälle pinnoittamatonta paperia, pahvia tai syytyspala ja vielä risuja, tuotta, pieneksi pilkkottua puuta tai briketinpalasia. Avaa kaikki ilmanottoaukot mahdollisimman auki. Sulje tulipesän luukku syyttämisen jälkeen. Säädä tämän jälkeen ilmanottoaukkoja takan mukana toimitetun ohjeiden mukaisesti.

Huomaa, että takan pinta ja myös ilmanottoaukkojen suojukset kuumenevat nopeasti! Käytä aina asianmukaisia suojakäsineitä!

Polttoaineen lisääminen

Takan luukun lasin puhtaana pysymiseen vaikuttaa sopivan polttoaineen ja riittävän vedon lisäksi se, millä tavalla takkaa käytetään. Suosittelemme polttoaineen lisäämistä yhtenä kerroksena ja mahdollisimman pitkinä (noin 30 cm:n) kappaletta, jotta tulipesän koko leveys on käytössä. Briketit asetetaan tulipesään siten, että niistä muodostuu tasainen kerros (noin 5–10 mm:n rako brikettien välissä). Varoitus! Lisää polttoainetta vasta hiiloksen päälle (kun edelliset ovat palaneet). Sulje kaikki ilmanottoaukot ennen tulipesän luukun avaamista, jotta savua ei purkaudu huoneeseen. Sulje tulipesän luukku heti polttoaineen lisäämisen jälkeen. Avaa sitten kaikki ilmanottoaukot välittömästi ääriasentoonsa, jotta polttoaine syytyy mahdollisimman nopeasti. Kun polttoaine palaa hyvällä liekillä, säädä ilmanottoaukot taas takan suositeltuun asentoon (jos poltat puuta, sulje ensin primäärinen ilmansäädin). Jos käytetty polttoaine on vääranlaista tai liian kostea, hormiin kulkeutuvat jäät saattavat aiheuttaa tulipalon. Sulje tällöin kaikki takan ilmansäätimet ja soita hätäkeskukseen. Kun hormipalalo on sammunut, tarkistuta hormi ammattilaisella halkeamien ja vuotojen varalta. Älä koskaan sammuta tulta tai hiiliä vedellä! Tämä voi muun muassa vaurioittaa takkaa, etenkin lasiluukkuja.

Polttoaine: halot

Enimmäistäyttö: kaksi halkoa (1,5–2,0 kg) tai yksi puubriketti (1,5 kg)
Primäärinen ilmansäädin: auki 10 minuuttia (MAX), sitten kiinni (MIN)
Sekundäärinen ilmansäädin (ovessa): 1/2 auki

Polttoaine: ruskohiilibriketit

Enimmäistäyttö: 2–3 brikettiä (1,5–2,0 kg)
Primäärinen ilmansäädin: 1/3 auki
Sekundäärinen ilmansäädin (ovessa): 1/3 auki

Käyttö vuodenaikojen vaihtuessa

Vuodenaikojen vaihtuessa tai kun sisätilan lämpötila on verrattain korkea, äkillinen lämpötilan nousu saattaa joissain olosuhteissa aiheuttaa ongelmia piipun vedossa, jolloin takasta tuleva savu ei pääse kokonaan ulos. Tämän vuoksi takassa tulisi polttaa näinä aikoina vain hyvin pieniä määriä polttoainetta ja avata ilmansäätimet, jotta piippu vetää paremmin ja polttoaine palaa puhtaammin. Polttoaine palaa nopeammin ja suuremmalla liekillä, mikä parantaa piipun vetoa. Tyhjennä tuhkalaatikko riittävän usein, jotta hiillos palaa hyvin.

Tuhkien tyhjentäminen

Tyhjennä tuhkalaatikko vähintään kerran päivässä tai kun tulisijaa on poltettu paljon. Työnnä tuhka arinan läpi tuhkalaatikkoon ja tyhjennä laatikko. Tuhkalaatikko kannattaa tyhjentää aamulla, kun hiillos ja tulisija ovat ehtineet jäähtyä yön jäljiltä. Tyhjennä tuhkalaatikko, kun se on puolillaan, jotta tuhka ei nouse liian lähelle arinaa. Jos tuhka yltää arinaan, arina saattaa ylikuumentua ja vaurioitua, koska ilma ei pääse kulkemaan sen läpi.

Vetoluukun alla olevat tuhkaajamät pitää poistaa työhön soveltuvalla tuhkaipurilla. Joissain malleissa ylempää vetoluukkuja on työnnettävä eteenpäin, jotta puhdistus onnistuu. Vetoluukku on aina työnnettävä takaisin tavanomaiseen asentoon, kun puhdistus on tehty. Jos mallissa on useita hormiaukkoja, myös ne voi olla tarpeen avata ja puhdistaa.

Varoitus:

Varmista aina ennen tuhkien tyhjentämistä, ettei tuhkan joukossa ole kuumia hiiliä. Vaikka tuhka olisi kylmää, sen joukossa saattaa olla hiiliä, jotka sytyttävät roska-astian tuleen. Puutuhkaa voi käyttää lannoitteena.

Päästöjen rajoittaminen

Takka on tarkoitettu vähän savua tuottaville polttoaineille. EU-määräysten mukaan takassa ei saa polttaa esimerkiksi seuraavia aineita:

- kostea puu tai puunsuoja-aineella kyllästetty puu
- puupuru
- paperi ja pahvi (paitsi sytykkeenä)
- kaarna tai vanerijäte
- muovi tai muut roskat.

Näiden materiaalien polttaminen on haitallista ympäristölle ja saattaa lisäksi vaurioittaa takkaa ja lyhentää sen käyttöikää. Takan säännöllinen puhdistus ja hoito vähentävät syntyviä päästöjä. Polttopuissa olevaa kaarna voidaan luonnollisesti polttaa.

Puhdistus ja huolto

Puhdista ja huolla takka vähintään kerran vuodessa, mutta tarvittaessa useammin takan ollessa kylmänä. Puhdista tuhka jäämät hormista ja ilmanottoaukon suojuksista. Keraamisesta kuidusta tai vermikuliitista valmistetut ilmanottoaukkojen suojuukset voi poistaa puhdistusta varten. Aseta ne puhdistuksen jälkeen huolellisesti takaisin paikoilleen. Hiukkassuodattimella varustettu tuhka imuri sopii erinomaisesti hormin puhdistukseen. Lasiluukut voidaan puhdistaa parhaiten kostealla liinalla tai sienellä ja puutuhkalla tai tavallisella lasinpesuaineella. Nuohoojan on nuohottava savupiippu säännöllisesti. Selvitä nuohoojalta, kuinka usein piippu tulee nuohota. Takka tulisi tarkastuttaa vuosittain ammattilaisella. Jos hormiputket pitää irrottaa puhdistusta varten, paikallisen nuohoojan tai alan ammattilaisen on tarkistettava niiden liitännät takasta savupiippuun ennen takan käyttöä.

Vianmääritys

Takka lämmitteä huonosti tai savuttaa, jos:

Takka on liian pieni tilaan nähden.
- Valitse oikeankokoinen takka.

Takka tai hormit ovat noessa.
- Puhdista takka ja hormit säännöllisesti.

Takan ja savupiipun välinen liitântä vuotaa.
- Tarkista liitântä ja tiivisteet.

Takassa poltetaan vääränlaista polttoainetta.
- Käytä käyttöohjeiden mukaista polttoainetta.

Takan hormiliitos on tehty väärin tai savupiippu on ylikuormitettu.
- Ota yhteys nuohoojaan tai lämmitysalan ammattilaiseen.

Takka ei saa riittävästi ilmaa.
- Tuuleta useammin. Myös ikkunatiivisteiden poisto voi olla tarpeen.

Hävittäminen

Tuotteen hävittäminen

Tuotetta ei saa hävittää talousjätteen mukana! Varmista, että se hävitetään asianmukaisella tavalla. Kysy tarvittaessa lisätietoja paikallisesta jätehuollosta.

Pakkauksen hävittäminen

Pakkaus koostuu kierrätettävästä pahvista ja muovista. Toimita pakkausmateriaalit kierrätykseen

Takuu

Myyjä myöntää tuotteelle voimassa olevien kansallisten lakien (jäljempänä "paikalliset säädökset") mukaisen täyden takuun, joka koskee myyjän ja ostajan solmimaa hankintasopimusta (jäljempänä "hankintasopimus"). Sitovat paikalliset säädökset ohittavat aina näissä käyttöohjeissa asetetut ehdot. Jos tämän käyttöohjeen tiedot eivät ole ristiriidassa paikallisten säädösten kanssa tai jos paikallisissa säädöksissä ei muutoin ilmoiteta, hankintasopimusta koskevat seuraavat ehdot:

Yleistä

Myyjä tarjoaa tuotteelle 1 vuoden takuuohjeiden mukaisen takuun. Takuu ei koske lämpölaajenemisen aiheuttamia muutoksia eikä osia, jotka ovat suorassa yhteydessä tuleen, tulenkestävää savea, lasia, tiivisteitä tai kuluvia osia. Takuu aika alkaa toimituspäivästä. Säilytä lasku kuitina.

Takuuehdot

1. Myyjä myöntää tuotteelle 1 vuoden takuun toimituspäivästä lähtien. Takuu koskee:
1a) materiaaleja ja valmistusvikoja

1b) tuotteen rakennetta

1c) standardissa EN 13240 määritettyä nimellistä lämmitystehoa (watteina) sekä standardin DIN 18893 mukaista tilan lämmityskykyä (ks. tuotteen tyyppikilpi, tekniset tiedot). Jos tuotteessa ilmenee takuuohjeissa 1–2 määritettyjä vikoja, tuote tai vialliset osat korjataan veloituksetta. Takuu koskee ainoastaan materiaali- ja valmistusvikoja. Muut viat eivät kuulu takuun piiriin.

2. Myyjä ei ole vastuussa tuotteen tai sen osien vaurioista ja vioista, jotka johtuvat:

2a) kuljetuksen, säilytyksen, asennuksen tai käytön aikana tapahtuneista ulkoisista, kemiallisista tai fyysisistä tekijöistä (esim. kastumisesta, ylikiehuneesta ruoasta, kondensaatiosta, epäasianmukaisesta käytöstä (esim. avoimesta tuhkaluukusta) johtuvasta ylikuumenemisestä) aiheutuneista vaurioista (kiilteen halkeaminen ei ole materiaalivirhe)

2b) tilaan nähden vääränkokoisesta tulisijasta

2c) voimassa olevien rakennusmääräysten huomiotta jättämisestä

2d) virheellisestä asennuksesta ja liitännöistä

2e) riittämättömästä tai liiallisesta savupiipun vedosta

2f) epäammattimaisesta huollosta tai muista, etenkin takkaan tai hormiin/savupiippuun jälkikäteen tehdyistä muutoksista

2g) sopimattomien polttoaineiden käytöstä

2h) epäasianmukaisesta käytöstä, kuten tulisijan ylitäytöstä (ks. valmistajan käyttöohje)

2i) tulelle suoraan altistuvien osien sekä raudasta, tulenkestävästä savesta tai lasista valmistettujen osien kulumisesta (ellei takuu (1a) kata niitä)

2j) epäasianmukaisesta käsittelystä

2k) riittämättömästä huollosta, vääränlaisten puhdistusaineiden käytöstä.

Gratulerar till ditt val av en Mustang-produkt! Mustangs serie med grillprodukter är designad för tillredning av god mat. I produktserien ingår ett omfattande sortiment av grill- och matlagningsprodukter. Bekanta dig med hela sortimentet på webben på adressen www.mustang-grill.com eller hos närmaste auktoriserade Mustang-återförsäljare.

Vi utvecklar ständigt Mustang-produktserien och de produkter som tillhör den. För att garantera kvaliteten har feedbacken från användarna en särskilt viktig roll i vår produktutveckling. Vi tar gärna emot feedback om produkterna på adressen mustang@mustang-grill.com.

Läs noga igenom bruksanvisningen så att du får ut mest nytta av apparaten. När du ser till att regelbundet rengöra och underhålla produkten förlänger du dess livslängd och säkerhet. I Mustang-produktserien hittar du även lämpliga rengöringsmedel och borstar för rengöring av grillen.

Ytterligare information finns på adressen www.mustang-grill.com.

Förmonterad eldstad Basement

Läs igenom denna bruksanvisning noggrant. Dessa anvisningar informerar dig om hur braskaminen fungerar och hanteras, vilket ökar enhetens användningsvärde och livslängd. Dessutom kan du spara bränsle och bidra till en bättre miljö om du använder produkten på rätt sätt.

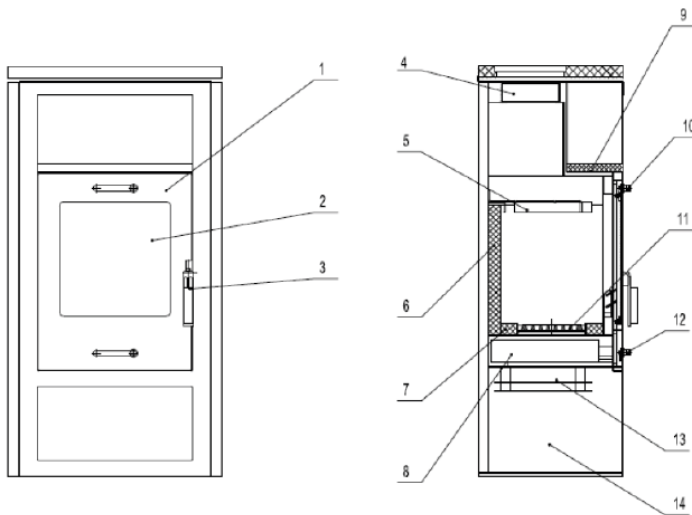
Vi kan bara lämna garantier för våra produkter om du följer riktlinjerna som anges nedan i dessa installations- och bruksanvisningar.

Förvara bruksanvisningen på en lämplig plats så att du kan konsultera dem igen inför varje ny uppvärmningsperiod. På så vis kan du säkerställa att du alltid känner till hur braskaminens används på rätt sätt.

Beskrivning

Braskaminer är idealiska för uppvärmning av levnads- och arbetsmiljöer. Braskaminens stomme utgörs av en svetsad stålkonstruktion. Rumsluften värms upp och ett behagligt klimat uppnås genom strålnings- och konvektionsvärme. Detta innebär att du kan snabbt värma upp svala rum som inte har värmts upp under en längre tid. Rumsluften kommer in i braskaminen genom de primära och sekundära luftregulatorerna. Luften värms upp i förbränningskammare och matas till rökgasutloppet ovanför eldstaden. Därmed värms den övre delen av förbränningskammare upp avsevärt och den varma luften som bildas fördelar sig själv i hela rummet.

Andelen strålningsvärme kommer från värmeutstrålningen nära glaspanel i förbränningskammarens lucka, från ugnens metallytor och, i förekommande fall, från ytorna på sidopanelerna som är belagda med natursten eller keramikplattor. Andelen konvektionsvärme uppstår framför allt vid användning av konstruktionsmodeller med dubbla väggar och genereras när kall luft kommer in genom de nedre luftregulatorerna till de ihåliga kamrarna på sidorna, värms upp avsevärt, stiger och matas tillbaka genom de övre luftregulatorerna in i rummet.



Komponenter:

1. Förbränningskammarens lucka
2. Glaspanel
3. Luckhandtag
4. Skorstenanslutning
5. Övre luftavskiljare
6. Förbränningskammarens hölje
7. Gallerhållare
8. Asklåda
9. Dryckvärmarmutrymme
10. Sekundär luftregulator
11. Galler
12. Primär luftregulator
13. Strålskyddsplatta
14. Förvaringsutrymme för bränsle

Dimensioner och vikt:

- Höjd 1 038 mm
- Bredd 542 mm
- Djup (utan handtag) 365 mm
- Vikt 110 kg
- Rördiameter 150 mm

Allmänna anvisningar, säkerhetsanvisningar

Nationella och europeiska normer, lokala bestämmelser, konstruktionsbestämmelser samt brandmyndigheternas direktiv måste följas. När du installerar braskaminen måste du följa brandkårens bestämmelser och landspecifika bestämmelser som är bindande för installationsplatsen, samt konsultera berörd, lokal sotare/skorstensfejarmästare. De kommer även kontrollera att enheten har anslutits korrekt till skorstenen.

Före installationen ska du säkerställa att underkonstruktionen har en nyttolast som klarar att bära upp braskaminen. Om nyttolasten är otillräcklig måste lämpliga åtgärder vidtas för att åtgärda detta (t.ex. en lämplig platta för att fördela lasten).

Alla tester som krävs enligt lag har utförts för din braskamin. De föreskrivna specifika värdena med avseende på uppvärmningsteknisk effektivitet och rökutsläpp har följts.

Braskaminen som beskrivs i dessa anvisningar är av konstruktionstyp 1 (BA 1) och har testats i enlighet med DIN 18891 ("Kamin för fast bränsle") och EN 13240. Braskaminer av konstruktionstyp 1 (se typskylten) kan anslutas till en skorsten avsedd för anslutning av flera eldstäder om skorstenens dimension tillåter detta i enlighet med EN 13384 eller 13384-2. Braskaminen är en eldstad avsedd för långsam förbränning.

Förbränningskammarens luckfjädrar får inte tas bort från braskaminer av konstruktionstyp 1 när en enhet av detta slag är ansluten till en skorsten avsedd för anslutning av flera eldstäder. Braskaminen har klassificerats som konstruktionstyp 1 på grund av den självständig luckan av förbränningskammare. Luckorna får endast öppnas för att tillsätta bränsle eller ta bort aska. Annars ska de hållas stängda, även när braskaminen inte används, för att förhindra att de påverkar andra eldstäder och därmed förebygga de förenade riskerna.

En tillräcklig friskluftstillförsel måste säkerställas till rummet där braskaminen installeras. Fönster och dörrar i rummet får inte tätas alltför omsorgsfullt för att säkerställa att förbränningen får tillräcklig lufttillförsel. Även när utblåsnings-system (badrumsfläktar, köksfläktar osv.) används i rummet eller andra anslutna enheter måste den minsta luftmängden som krävs fortfarande kunna strömma till braskaminen.

Observera! Braskaminen får inte användas i kombination med reglerade luftkonditioneringssystem.

Braskaminens funktion riskeras inte om systemen endast får luften att cirkulera runt i rummet eller om de har säkerhetsfunktioner som på ett automatiskt och pålitligt sätt förhindrar att undertryck uppstår i rummet. Rådfråga en sotare eller värmeexpert för att säkerställa att tillräckligt med förbränningsluft tillförs. Bränsleförbränningen frigör värmeenergi som leder till en betydande uppvärmning av uppvärmningsenhetens ytor (luckor, luck- och manöverhandtag, glaspaneler, sidopaneler, frontpanel, rökkanal). Undvik att vidröra dessa delar om du inte bär lämpliga handskar som är värmetåliga! När du eldar i braskaminen ska du inte bära vida eller lättantändliga klädesplagg! Säkerställ att alla barn är medvetna om dessa risker och håll dem på avstånd från braskaminen när den används.

Om bränslet som används är av felaktig typ eller för fuktigt, kan ansamlingar i skorstenen orsaka skorstenseld (soteld). Stäng alla luftinlopp till braskaminen och informera brandkåren. När skorstenselden har slocknat ska skorstenen kontrolleras av en specialist beträffande sprickor och läckor.

Installera braskaminen och ansluta skorstenen

Förpackningen till din nya braskamin har utformats för att ge optimalt skydd mot skador. Det finns dock risk för att braskaminen eller tillbehören skadas under

transporten. Kontrollera efter upppackningen att braskaminen inte har skadats och säkerställ att alla komponenter finns med! Om den har skadats eller delar saknas ska du omedelbart informera kaminåterförsäljaren!

Kommentar: Om luftavskiljarplattorna sitter löst eller har glidit ur sin fästansordning eller liknande anses detta inte vara ett fel (se kapitel Första användningen av braskaminen).

Braskaminens förpackning är till största delen miljömässigt neutral. Träet i förpackningen har inte ytbehandlats och kan kapas och användas i uppvärmningssyfte. Kartongen och övriga förpackningsmaterial kan enkelt återvinnas vid en offentlig miljöstation.

Om braskaminen har en självstängande lucka av förbränningskammare kan den anslutas till en skorsten som redan är ansluten till andra kaminer och eldstäder, så länge som skorstensens dimensioner i enlighet med DIN EN 13384 eller 13384-2 inte hindrar detta.

När flera eldstäder används i samma rum eller med samma rökkanalsanslutning ska du säkerställa att tillförseln av förbränningsluft är tillräcklig.

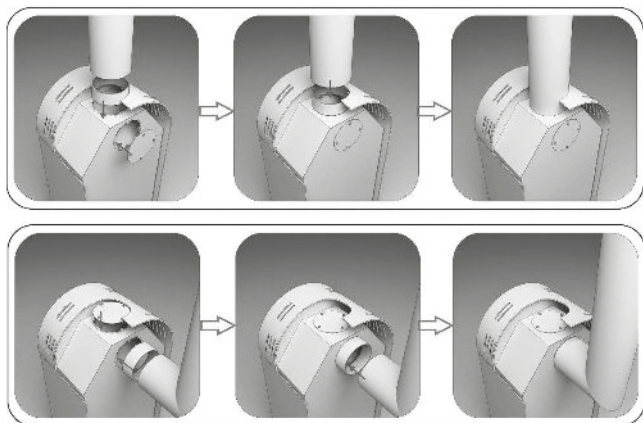
En rökkanal av 2 mm tjock stålplåt ska användas till skorstensanslutningen.

Rökkanalens anslutning till både skorstensanslutningen och skorstenen måste göras säker och vara ordentligt tät. Denna säkra och täta anslutning är absolut nödvändig när rökkanalens element ansluts till varandra. Det är mycket viktigt att säkerställa att rökkanalen inte går in i skorstensens fria tvärsnitt. Vi rekommenderar att du använder murverksinklädnad för att leda in den i skorstenen.

När du använder förlängningsrör för rökgasen måste horisontella vägar och sektionminskningar undvikas. Det rekommenderas att rören stiger i riktning mot skorstenen. Vid lågt skorstensdrag rekommenderar vi att du ansluter braskaminen genom ett vertikalt rör som är minst 1 m långt.

I allmänhet måste lagkraven följas vid anslutning av rökkanaler. Vid anslutning till en skorsten ovanför den övre rökkanalsanslutningen ska du se till att upprätthålla ett avstånd på t.ex. 40 cm mellan rökkanal och antändliga konstruktionselement. Detta minimiavstånd kan minskas till 10 cm om rökkanalen förses med en brandsäker isolering som är minst 2 cm tjock.

Korrekt anslutning av rökkanalen måste under alla omständigheter bekräftas av en lokal sotare eller värmeexpert.



Säkerhetsavstånd (minimiavstånd):

När skorstenen installeras ska brandskyddsbestämmelserna som föreskrivits av myndigheterna iakttagas av princip. Rådfråga en lokal sotare eller värmeexpert om detta.

Minimiavståndet till brandfarliga eller temperaturkänsliga material (t.ex. möbler, tapeter eller träpaneler) eller till bärande väggar måste upprätthållas enligt följande.

Om det förekommer brandfarliga eller temperaturkänsliga golvbeläggningar måste anordningen installeras på en brandsäker golvskyddsplatta (t.ex. stålplatta, glas). Du kan köpa golvskyddsplattor (underläggsplatta eller -skydd) från din återförsäljares tillbehörsortiment.

Minimiavstånd till lättantändliga delar:

A. Baksida 40 cm

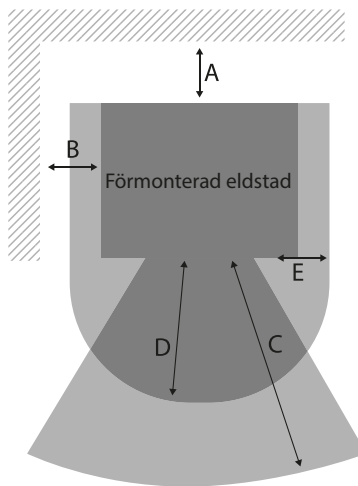
B. Sidor 34 cm

C. Glaspanelens värmestrålningsområde 80 cm

Minimiavstånd till skyddsplattans kant (på temperaturkänslig golvbeläggning)

D. Glaspanelens värmestrålningsområde 50 cm

E. Förbränningskammarens innervägg 30 cm



Använda braskaminen

Endast vuxna får elda i braskaminen. Se till att barn aldrig lämnas vid braskaminen utan tillsyn (lämna aldrig braskaminen utan tillsyn under en längre tidsperiod). Braskaminen får endast användas i enlighet med denna bruksanvisning. Observera säkerhetsanvisningarna i kapitel [Allmänna anvisningar, säkerhetsanvisningar](#).

Tillåtna bränslen

Braskaminen är en eldstad avsedd för långsam förbränning.

Braskaminen är lämplig för bränslen med låg rökutveckling.

De tillåtna bränslena är kluvna vedträn som är 30 cm långa med en diameter på 10 cm samt brunkolsbriketter.

Endast lufttorkad, kliven ved får användas; en restfukthalt på högst 20 % erhålls genom en torkningstid på minst ett år för mjuka träslag eller två år för hårda träslag.

Observera! Trä är inte ett långsambrennande bränsle, vilket innebär att uppvärmning över natten inte är möjligt med braskaminen. Observera: Elda aldrig med avfall såsom tapeter, plywoodavfall, plast eller behandlat trä!

Var uppmärksam på landspecifika bestämmelser.

Ställa in förbränningsluftregulatoren

Håll dig till dessa rekommenderade inställningar eftersom de säkerställer att bränslets värmeenergi används på ett optimalt sätt, vilket sparar bränsle och skyddar miljön.

Första användningen av braskaminen

Innan du använder braskaminen för första gången ska du ta bort eventuella klistermärken och ta ur alla tillbehör från asklådan eller braskaminen. Detta gäller även för eventuella transportskyddsmekanismer som använts. För modeller med luftavskiljarplattor av keramisk fiber eller vermiculit kontrollera att dessa plattor sitter korrekt i sina fästansordningar (de kan ha glidit ur under transporten eller installationen av braskaminen). Annars måste plattorna hängas på plats igen.

För braskaminer med keramikplattor eller stenar, placera dessa i uppvärmningsutrymmet. Keramikplattorna eller stenarna ska torkas med en torr trasa.

Första gången som braskaminen tänds ska du placera bränslet med omsorg och "elda in" kaminen med svag låga. Alla material måste långsamt vänja sig vid värmeutvecklingen. Försiktig uppvärmning förhindrar sprickor i isoleringsstenarna, lackskador och materialdeformation. Lukter som orsakas av att skyddslacken torkar kan inte förhindras, men försvinner efter en kort stund. Under uppvärmningen ska du se till att rummet är väl ventilerat.

Använda skorstensanslutningen på baksidan (ej tillgängligt för alla modeller)

Vissa kaminmodeller kan anslutas till skorstenen genom skorstensanslutningen på baksidan. Tillämpliga anvisningar medföljer dessa modeller separat.

Tändning och uppvärmning

Placera först 2 eller 3 kluvna vedträn (omkring 1,5–2,0 kg) på braskaminens botten eller gallret. Lagg obstrukterat papper, kartong eller en braständare ovanpå vedträna och lägg sedan in kvistar, små splittvedstycken eller briketter. Alla tillgängliga luftspjäll ska öppnas så mycket som möjligt. När brasen har tänds ska du stänga luckan av förbränningskammare.

Kom ihåg att hela kaminhuset och även reglerspjällen för lufttillförsel blir mycket varma! Använd alltid lämpliga handskar!

Tillsätta bränsle

Utöver användningen av lämpligt bränsle och tillräckligt skorstensdrag spelar även sättet som braskaminen används på en stor roll för glasrutans renhet. Vi rekommenderar därför att bränslet läggs in i ett enda lager och att så stora stycken som möjligt används (omkring 30 cm) för att utnyttja hela braskaminens bredd. Briketter ska placeras i braskaminen på ett sådant sätt att de skapar ett enda lager (omkring 5–10 mm mellanrum mellan briketterna).

Observera! Fyll endast på mer bränsle när en glödbädd har uppnåtts (lågan har

slocknat).

Innan eldstadsluckan öppnas ska du stänga alla luftspjäll helt för att förhindra att rök kommer in i rummet från förbränningskammaren. När du har tillsatt mer bränsle ska du stänga luckan av förbränningskammaren igen. Öppna sedan omedelbart alla luftspjäll så långt det går för att minska den tid det krävs för att tända bränslet så mycket som möjligt. Så snart bränslet brinner med livlig låga ska du långsamt justera reglagen tillbaka till (när du eldar med kluvna vedträn ska du först stänga det primära luftregulatorn I). Om bränslet som används är av felaktig typ eller för fuktigt, kan ansamlingar i skorstenen orsaka skorstenseld (soteld). Stäng i så fall alla luftintag till braskaminen och informera brandkåren. När skorstenselden har slocknat måste skorstenen kontrolleras av en fackman beträffande sprickor och läckor. Försök aldrig släcka en eld eller glöd med vatten! Du riskerar bland annat att skada braskaminen, särskilt glasrutan!

Användning under övergångsperioden mellan säsonger

Under övergångsperioden mellan säsonger eller när yttertemperaturen har stigit kan en plötslig temperaturökning under vissa omständigheter leda till problem med skorstensdraget (draget i braskaminen), vilket innebär att rökgasen inte sugts ut helt och hållet. Av denna anledning ska braskaminen endast användas med mycket små bränslemängder under övergångsperioden för att kunna förbättra förbränningen och draget genom att öppna luftregulatorn. Befintligt bränsle brinner då upp snabbare med lågorna och stabiliserar därmed skorstensdraget. För att luftflödet inte ska hindras i glöden måste askan tömmas regelbundet.

Brännbart material: kluvna vedträn

Maxkapacitet: 2 vedträn (1,5–2,0 kg) eller 1 träbrikett (1,5 kg)
Primär luftregulator: öppen i 10 minuter (MAX), sedan stängd (MIN)
Sekundär luftregulator (vid luckan): 1/2 öppen

Brännbart material: brunkolsbriketter

Maxkapacitet: 2–3 briketter (1,5–2,0 kg)
Primär luftregulator: 1/3 öppen
Sekundär luftregulator (vid luckan): 1/3 öppen

Tömma askan

När du har eldat under en lång tid och minst en gång om dagen ska du hjälpa askan ner genom gallret till asklådan med en eldgaffel och sedan tömma asklådan. Det är bäst att göra detta på morgonen efter att du har eldat över natten, när den glödande kolen och braskaminen är relativt svala. Se till att asklådan töms när den är ungefär halvfull för att säkerställa att askhögen inte kommer för nära gallret. Om gallret fastnar i askhögen kan det överhettas och skadas eftersom ingen luft kan matas till det för att kyla ner det.

Askansamlingar under luftavskiljarplattorna kan bäst tas bort med en lämplig askdammsugare. För vissa modeller måste den övre luftavskiljarplattan tryckas framåt för att göra detta. Den måste sedan alltid tryckas tillbaka till dess ursprungliga position på braskaminens bakre vägg när du är klar med rengöringen. För modeller med utbytbara skorstenanslutningar kan det vara nödvändigt att öppna även de stängda rökkanalanslutningarna och rengöra från denna position också.

Observera:

Innan du tömmer askan ska du alltid kontrollera att det inte finns kvar glödande kol i den. Även om askan är sval kan det fortfarande finnas kvar glödande kol som kan orsaka brand i soptunnan. Träaska kan användas som gödningsmedel.

Utsläpps begränsning

Braskaminen är utformad för att elda bränslen med låg rökutveckling. Enligt EU:s utsläppslagar får man till exempel inte elda med följande:

- Fuktigt trä eller trä som har behandlats med träskyddsmedel
- Träflis
- Papper och kartong (förutom i tändningssyfte)
- Bark eller plywoodavfall
- Plast eller annat avfall

Om man eldar med dessa material skadar det inte bara miljön, utan det förkortar även din braskamins livslängd och kan skada skorstenen. Regelbunden rengöring och skötsel av din braskamin minskar de förorenande utsläppen. Bark som sitter på kluvna vedträn får förstas eldas.

Rengöring och underhåll

Rengör och underhåll braskaminen när den är sval, minst en gång om året och oftare vid behov. Avlägsna askansamlingar i rökkanalen och på rök- och luftavskiljarplattorna. Luftavskiljarplattor gjorda av keramisk fiber eller vermiculit kan tas bort vid rengöring. Var noga med att sätta tillbaka dem på samma plats när du har rengjort dem. En askdammsugare med finpartikelfilter lämpar sig mycket väl för rengöring av rökkanalerna. Smuts på glasrutan avlägsnas bäst på det miljövänliga sättet med en vattenfuktad svamp som doppats i träaska eller något annat vanligt glasrengöringsmedel för hushållsbruk.

Skorstenen måste också rengöras regelbundet av en sotare. Den berörda sotaren kommer informera dig om de nödvändiga intervallen. Braskaminen bör kontrolleras av en specialist en gång om året.

Om rökkanalerna tas bort för rengöring måste en lokal sotare eller värmeexpert godkänna att braskaminen har återanslutits till skorstenssystemet på rätt sätt.

Fel, orsaker

Kaminen värmer upp dåligt eller ryker om:

Den valda braskaminen är för liten för rummets storlek eller konstruktion
- Välj rätt storlek på braskaminen.

Braskaminen eller rökkanalen är täckt med sot
- Rengör braskaminen och rökkanalerna regelbundet.

Anslutningen av braskaminen till skorstenen är otät
- Kontrollera anslutningen och täta.

Braskaminen matas med fel bränsle
- Rådfråga en sotare eller värmeexpert.

Braskaminen har anslutits felaktigt eller så är skorstenen överbelastad
- Använd de bränslen som anges i bruksanvisningen.

Friskluftstillförseln från utsidan är bristfällig.
- Vädra oftare och ta bort fönstertätningar om möjligt.

Kassering

Kassering av anordningen

Den här anordningen får inte kasseras med hushållsavfallet! Se till att den kasseras fackmannamässigt. Information kan erhållas från berörda avfallshanteringsmyndigheter.

Kassering av förpackningen

Förpackningen består av kartong och märkt plast som kan återvinnas.
- Ta dessa material till en miljöstation.

Garanti

Säljaren beviljar garantin för den här anordningen helt i enlighet med de tillämpliga nationella rättsliga kraven (i det följande endast benämnda som "nationella rättsliga krav") som gäller för köpekontraktet som slutits mellan säljaren och köparen (i det följande endast benämnt som "köpekontrakt"). De bindande nationella rättsliga kraven har företräde framför de villkor som anges i denna bruksanvisning. Om dessa anvisningar inte strider mot de nationella rättsliga kraven eller om de nationella rättsliga kraven inte fastställer annat, gäller följande bestämmelse för köpekontraktet:

Allmänt

Säljaren erbjuder 1 år garanti för denna enhet inom ramarna för garantiriklinjerna, med undantag för ljud från fysisk expansion och delar som kommer i direktkontakt med eld, eldfast lera, glas, tätningar och förbrukningsartiklar. Garantin börjar löpa vid leveransdagen. Fakturan ska användas som inköpsbevis.

Garantiriklinjer

1. Säljaren beviljar garantin under en ettårsperiod från leveransen till slutkunden för:

1a) perfekta materialegenskaper som uppfyller syftet och för tillverkningen, 1b) korrekt konstruktion,

1c) upprätthållandet av den nominella värmeeffekten (Watt) i enlighet med EN 13240 och rumsuppvärmningskapaciteten i enlighet med DIN 18893 (se anordningens typskylt, tekniska data). Garantierna för 1) och 2) gäller även för kostnadsfria reparationer av anordningen eller delarna som det gjorts anspråk på. Anspråk om kostnadsfria byten av delar är endast giltiga om dessa uppvisar material- eller tillverkningsfel. Ytterligare anspråk är uteslutna.

2. Säljaren lämnar inga garantier för skador och fel på anordningar eller delar till dessa som orsakats av:

2a) externa, kemiska eller fysiska effekter av transport, förvaring, installation och användning av anordningen (t.ex. stötar med vatten, mat som kokar över, kondens, överhettning på grund av felaktig användning (t.ex. öppen asklucka); härfina sprickor som bildas i emaljdelen beror inte på bristande kvalitet,

2b) felaktigt vald kaminstorlek,

2c) bristande efterlevnad av berörda, lämpliga konstruktionsbestämmelser,

2d) fel vid installation och anslutning av anordningen,

2e) otillräckligt eller för kraftigt skorstensdrag,

2f) professionellt utfört underhållsarbete eller andra, i synnerhet, efterföljande ändringar av eldstaden eller utloppsroret (kaminens rökkanal och skorsten),

2g) användning av olämpliga bränslen,

2h) felaktig användning; överbelastning av anordningen (se tillverkarens bruksanvisning)

2i) slitage på delarna som är direkt exponerade för lågor och som är tillverkade av järn, eldfast lera eller glas, i den mån de inte täcks av garantin (1a),

2j) felaktig hantering,

2k) otillräcklig skötsel, användning av olämpliga rengöringsmedel.

Õnnitleme teid Mustangi toote valimise puhul! Mustangi grillimistoodete sari on välja töötatud hea toidu valmistamiseks. Tootesarja kuulub lai valik grillimis- ja toiduvalmistamistarvikuid. Tutvuge kogu valikuga aadressil www.mustang-grill.com või lähima volitatud edasimüüja juures.

Me arendame püsivalt Mustangi tooteid ja nendega seotud tarvikuid. Kvaliteedi tagamiseks on tarbijalt saadud tagasiside meie tootearenduses eriti tähtsal kohal. Ootame teie tagasisidet meie toodete osas aadressil mustang@mustang-grill.com.

Et saaksite seadmest maksimaalselt kasu, tutvuge põhjalikult kasutusjuhendiga. Seadme regulaarse puhastamise ja hooldamisega pikendate selle tööiga ja turvalisust. Tootesarjast Mustang leiata ka grilli puhastamiseks sobivaid puhastusvahendeid ja harju.

Lisainfot leiata aadressil www.mustang-grill.com.

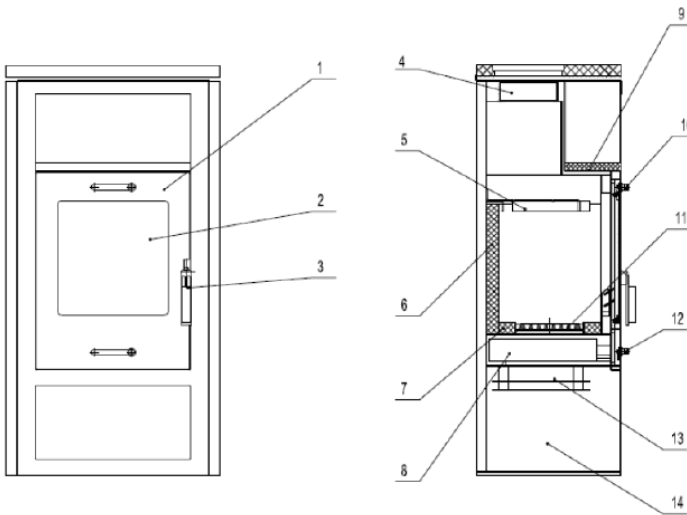
Valmiskamin Basement

Lugege käesolev kasutusjuhend hoolikalt läbi. Juhised kirjeldavad teie kamina võimalusi ja kasutamist, luues seadmele lisaväärtust ja pikendades selle tööiga ning aidates õige kütmise läbi säästa küttematerjali ja keskkonda. Meil on võimalik anda oma toodetele garantii ainult juhul, kui järgite täpselt käesolevas paigaldus- ja kasutusjuhendis toodud juhiseid. Säilitage käesolev kasutusjuhend, et võiksite nendega uuesti tutvuda iga kütteperioodi alguses, tagamaks kamina õige kasutamise.

Kirjeldus

Kaminad on ideaalsed küttekehad elu- ja tööruumides. Kamina korpus on valmistatud keevitatud terasest. Ruumi kütmine ja hubane õhukeskkond saavutatakse kamina soojuskiirguse ja konvektsioonisoojuse abil. See tähendab, et võite kiirelt soojaks kütta ruume, mida pole mõnda aega kōetud. Ruumis olev õhk siseneb kaminasse läbi primaarsete ja sekundaarsete õhusiihrite. Õhku kuumendatakse kamina põlemiskambris ja suunatakse suitsugaaside kogujasse kamina kohal. See põhjustab kamina põlemiskambri märgatava kuumenemise ning kogunev õhk levib ruumis.

Soojuskiirgus lähtub kaminast läbi põlemiskambri akna, metallpindade ning looduslikust või keraamilisest kivist külgpaneelidest, kui sellised on paigaldatud. Konvektsioonisoojus on intensiivsem kahesinaliste mudelite puhul ning tekib, kui külm õhk siseneb kamina külgõõnsustesse alumiste õhuavade kaudu, kuumeneb seal märgatavalt, kerkib üles ja väljub ruumi ülemiste õhuavade kaudu.



Osade nimekiri:

1. Koldekambri uks
2. Klaaspaneel
3. Uksekäepide
4. Suisulõõri ühenduskoht
5. Koldekambri laeplaat
6. Koldekambri vooderdis
7. Restitugi
8. Tuhanõu
9. Teekannu soojenduskamber
10. Sekundaarne õhusiiher
11. Rest
12. Primaarne õhusiiher
13. Kiirguskaitse plaat
14. Küttematerjali hoiukamber

Mõõtmed ja kaal:

- Kõrgus 1038 mm
- Laius 542 mm
- Sügavus (käepidemeta) 365 mm
- Kaal 110 kg
- Lõõri läbimõõt 150 mm

Üldist, ohutusjuhised

Kamina kasutamisel tuleb järgida kohalikke ja Euroopa norme, kohalikke ja Euroopa ehituseeskirju ning kehtivaid tuleohutuseeskirju. Kamina paigaldamisel tuleb arvesse võtta tuleohutus- ja riiklikke küttekihi puudutavaid eeskirju ning konsulteerida professionaalsete korstnaspetsialistidega. Nad kontrollivad, kas kamin on korstnaga õigesti ühendatud.

Enne kamina paigaldamist veenduge, et pōranda tugikonstruktsioonide kandjõud vastaks kamina kaalule, ning võtke vajadusel meetmeid kandjõu parandamiseks (näiteks paigaldage sobiv plaat koormuse ühtlasemaks jaotamiseks).

Kõik seadusega ette nähtud katsetused on teie kaminaga juba sooritatud. Tagatud on kamina ettenähtud kasuteguri ja saastennormide järgimine.

Käesolevas kasutusjuhendis kirjeldatud kamin on konstruktsioonilt tüüp 1 (BA 1) ning seda on kontrollitud vastavalt standarditele DIN 18891 ("Tahkekütusel töötavad korstnaga kütteseadmed") ja EN 13240. Tüübi 1 kaminaid (vt nimiplaati) võib ühendada mitme tulekoldega korstna külge, kui korstna moodud vastavad standardile EN 13384 või 13384-2. Käesolev kamin on aeglase põlemisega kütteseadme.

Tüübi 1 konstruktsiooniga kütteseadmetel on keelatud koldekambri ukse sulgurvedrude eemaldamine, kui kütteseadme on ühendatud mitme tulekoldega korstna külge. Tüübi 1 konstruktsiooniga kütteseadmed on varustatud isesulguva koldekambri uksega. Koldekambri ust võib avada ainult küttematerjali lisamiseks ja tuha eemaldamiseks. Muul ajal peab uks olema suletud, isegi kui kaminat ei kasutata, et vältida mõju teistele sama korstnaga ühendatud tulekolletele ning sellega kaasnevaid riske.

Ruum, kuhu kamin paigaldatakse, peab saama piisavalt värsket õhku. Et tagada põlemiseks vajalik õhuvaru, ei tohiks ruumi aknaid ja ukse liigselt tihendada. Isegi korteri väljatõmbesüsteemide (vannitoa ventilatsioon, köögi väljatõmme jms.) või ühendatud tulekollele töötamisel peab kaminasse juurde voolama vajalik minimaalne õhukogus.

Hoiatus! Kaminat ei tohi kasutada õhu konditsioneerimissüsteemi korral.

Kamina kasutamine ei ole ohtlik, kui süsteemid lihtsalt panevad õhu toas ringleva või kui süsteemil on olemas kaitsefunktsioon, mis automaatselt ja kindlalt väldib ruumis alarõhu teket. Konsulteerige korstnapühkija või küttespetsialistiga ning veenduge, et piisav värsk õhu juurdevool oleks tagatud.

Küttematerjali põlemisel vabaneb suures koguses soojusenergiat, mis põhjustab tulekolde osade (uksed, käepidemed, aknad, külgpaneelid, esipaneel, lõõr) märkimisväärse kuumenemise. Vältige nende osade puudutamist ilma kuumsekindlate kinnasteta! Kamina kütisel ärge kandke avaraid või tuleohtlikke riideid! Hoolitsege selle eest, et lapsed oleksid ohtudest teadlikud ja hoidke nad töötavast kaminast eemal.

Vale või liigniiske küttematerjali korral võib korstnasse sadestunud pigi põhjustada korstnapõlengu. Sulgege sel juhul kõik õhu juurdevooluavad ning teavitage päästeteenistust. Pärast korstnapõlengu kustumist peab spetsialist korstna üle kontrollima, et sinna poleks tekkinud pragusid ja leket.

Kamina paigaldamine ja ühendamine korstnaga

Teie uue kamina pakend on konstrueeritud sellisel, et tagada kaminale optimaalne kaitse vigastuste eest. Siiski on võimalik, et transportimise ajal on kamin või selle lisavarustus saanud vigastada. Kontrollige pärast pakendi avamist, et kamin poleks vigastusi ja kõik selle osad on olemas. Vigastustest või osade puudumisest teavitage kohe edasimüüjat!

Märkus: Lahtiseid või oma kohalt nihkunud õhujuhtimisplaatide või sarnaseid juhtumeid ei loeta veaks (vt peatükki Kamina esmakasutamine).

Kamina pakend on üldiselt keskkonnale kahjuliku mõjuta. Pakendis kasutatud puit ei ole töödeldud ning seda võib tükeldatauna kasutada küttematerjalina. Pappi ja vooderdist saab hõlpsasti korduvkasutada kohalike käitluskeskuste kaudu. Iseesulguva koldekambriuksega kaminat võib ühendada juba teiste kaminat ja küttekolletega ühendatud korstnaga, kui korstna mõõtmed vastavad standardite EN 13384 või 13384-2 nõuetele.

Mitme küttekiha kasutamisel samas ruumis veenduge, et põlemisõhu juurdevool

oleks piisav.

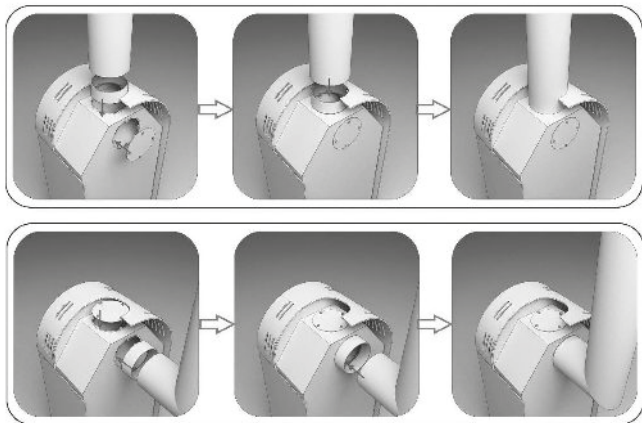
Korstnaga ühendamiseks tuleb kasutada 2 mm paksusest terasplekist suitsulööri. Lööriühendused nii kamina koldekambri kui korstnaga peavad olema tugevad ja tihedad. Ühenduskohtade tugevus ja tihedus on äärmise tähtsusega. Suitsulöör ei tohi ulatuda korstna lahtise ristlõike alasse – soovime suitsulööri korstnasse viimiseks kasutada hülssi.

Pikemate suitsulööride korral tuleb vältida horisontaalseid löike ja ahenemisi. Soovitav on, et löör tõuseks korstna suunas. Madala korstnatõmbe korral soovitame kamina ühendada vähemalt 1 m pikkuse vertikaalse toru abil.

Üldiselt tuleb suitsulööri ühendamisel juhinduda kehtivatest eeskirjadest.

Suitsulööri ühendamisel korstnaga tuleb jälgida, et lööri ja tuleohtlike konstruktsioonielementide vahel oleks vähemalt 40 cm. Kui löör on ümbritsetud vähemalt 2 cm paksuse mittepõleva isolatsiooniga, võib seda vahemaa olla väiksem, aga vähemalt 10 cm.

Suitsulööri ühenduse peab igal juhul üle kontrollima korstnapühkija või küttespetsialist.



Ohutuskaugused (Miinimumkaugused):

Kamina paigaldamisel tuleb põhimõtteliselt täita kehtivaid tuleohutuseeskirju. Konsulteerige selles osas oma korstnapühkija või küttespetsialistiga.

Miinimumkaugused tuleohtlike või kuumakartlike materjalide (näiteks mööbel, tapeet, puitpaneelid) või kandevseinteni on järgmised.

Kui põrand on süttivast või kuumakartlikust materjalist, tuleb kamin paigaldada mittepõlevale alusplaadile (näiteks terasplaat, klaas).

Minimaalne ohutuskaugus põleva materjalini:

A. Tagaküljel 40 cm

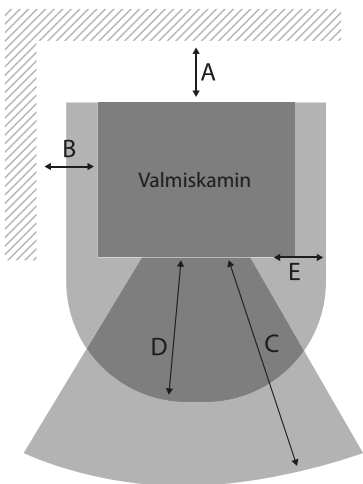
B. Küljel 34 cm

C. Klaaspaneeli soojuskiirguse piirkonnas 80 cm

Minimaalne ohutuskaugus kaitseplaadi servani (kuumustundlikust materjalist põrandakatte korral):

D. Klaaspaneeli soojuskiirguse piirkonnas 50 cm

E. Koldekambri siseseinast 30 cm



Kamina kasutamine

Kaminat tohivad kütta ainult täiskasvanud. Ärge kunagi jätke lapsi järelevalveta kamina juurde (ärge jätke ka kaminat pikemaks ajaks järelevalveta). Kaminat tohib kasutada ainult vastavalt käesolevatele kasutusjuhiste. Pöörake tähelepanu ohutusjuhiste peatükis Üldist, ohutusjuhised.

Lubatud kütused

Käesolev kamin on aeglase põlemisega küttekolle.

Kamin on mõeldud vähese suitsuga kütuste põletamiseks.

Lubatud küttematerjaliks on lõhutud puuhalud pikkusega 30 cm ja läbimõõduga

10 cm, samuti pruunsöebriketid.

Kasutada tohib ainult õhkuivatatud lõhutud puuhalge, mille niiskusesisaldus alla 20% on saavutatud pehmete puuliikide puhul üheaastase kuivatamise ning kõvade puuliikide puhul kaheaastase kuivatamisega.

Hoiatus! Puit ei ole aeglase põlemisega kütus, mistõttu kamina kütmine õõ läbi pole võimalik. Hoiatus! Ärge kunagi kasutage kütteks prügi, näiteks tapeeti, vineeri, plastmassi või töödeldud puitu!

Järgige kohalikke eeskirju.

Põlemisõhu juurdevoolu reguleerimine

Nende järgimine tagab küttematerjali soojusenergia optimaalse kasutuse, kütuse säästmise ja keskkonnamõju vähenemise.

Kamina esmakasutamine

Enne kamina esmakordset kasutamist eemaldage sellelt kõik kleebised ning kõik tarvikud tuhapannilt ja koldekambrist, samuti kõik transpordijaks paigaldatud turvarakised. Veenduge, et keraamilistest kiududest või vermikuliidist õhujuhtimisplaadid oleksid kindlalt oma kohal (võivad olla nihkunud kamina transportimisel või paigaldamisel). Vajadusel paigaldage plaadid oma kohale.

Kui kaminatel on ette nähtud keraamilised plaadid või tellised, paigaldage need koldekambri. Keraamilised plaadid ja tellised tuleb üle pühkida kuiva lapiga. Kamina esmakordsel süttamisel laske küttematerjalil ettevaatlikult põleda väikese leegiga. Kõik materjalid peavad kuumuse kasvamisega aeglaselt kohanema. Ettevaatlik kütmine hoiab ära pragude tekkimise vooderdisse ja värvikihi ning osade väändumise. Kaitsevärvi kuivamisest johtuva lõhna eraldumist ei saa vältida, kuid see lõpeb mõne aja pärast. Kütmise ajal veenduge, et ruum oleks hästi õhutatud.

Tagakülje väljalaskeava kasutamine (pole kõigil mudelitel)

Mõne kaminamudeli võib korstnaga ühendada läbi tagakülje väljalaskeava. Vastavad juhised on nendel mudelitel kaasas.

Süütamine ja kütmine

Esmalt asetage 2–3 lõhutud halgu (u 1,5–2,0 kg) koldekambri põhjale või restile. Nende halgude peale pange kattekihita paberit, pappi või süütekuubik ja lisage pilpaid või brikettitükke. Kõik õhuavad ja siibrid peavad olema täielikult avatud. Pärast süütamist sulgege koldekambri uks.

Ärge unustage, et terve kamina korpus ja õhuavade nupud lähevad väga kuumaks! Kasutage alati kuumakindlaid kindaid!

Küttematerjali lisamine

Akna puhtusele avaldab mõju lisaks sobivale küttematerjalile ja piisavale tõmbele ka kamina kasutamise viis. Me soovime küttematerjali lisada ühe kihi kaupa ning kasutada maksimaalse suurusega halge (u 30 cm), et täita koldekambri laiust täielikult. Briketid tuleb koldekambri asetada kihtidena (u 5–10 mm vahedega brikettide vahel).

Hoiatus! Uut küttematerjali tuleb lisada ainult sütele (kui enam leeki pole).

Enne koldekambri ukse avamist sulgege kõik õhuavad, et vältida suitsu tungimist koldekambri tupp. Pärast küttematerjali lisamist sulgege koldekambri uks ja avage kohe kõik õhuavad täielikult, et maksimaalselt vähendada küttematerjali süttimisega. Kui kütus põleb suure leegiga (lõhutud halgude põletamise korral sulgege esmalt primaarne õhuava l). Kui kasutatav küttematerjal on vale või liiga niiske, võib korstnas ladestuv pigi põhjustada tulekahju. Sel juhul sulgege kamina kõik õhuavad ja teavitage päästeteenistust. Pärast korstnapõlengu kustumist peab spetsialist korstna üle kontrollima, et sinna poleks tekkinud pragusid ja leket. Ärge kunagi püüdke tuld või sütt kustutada veega! Sellega võite muuhulgas vigastada kaminat ja eriti klaasi!

Küttematerjal: lõhutud puuhalud

Maksimaalne kogus: 2 puuhalgu (1,5–2,0 kg) või 1 puubrikett (1,5 kg)

Primaarne õhusüüder: avatud 10 minutit (MAX), seejärel kinni (MIN)

Sekundaarne õhusüüder (uksel): 1/2 avatud

Küttematerjal: pruunsöebrikett

Maksimaalne kogus: 2–3 briketti (1,5–2,0 kg)

Primaarne õhusüüder: 1/3 avatud

Sekundaarne õhusüüder (uksel): 1/3 avatud

Kütmine sügisel ja kevadel

Sügisel ja kevadel, kui välistemperatuur on kõrgem, võib kiire temperatuuritõus teatud tingimustel põhjustada probleeme korstna (kamina) tõmbega, st suitsu ei tõmmata täielikult korstnasse. Seetõttu tuleks üleminekuaastaegadel kaminat kütta ainult väikese küttematerjali kogusega, mille puhul põlemist ja tõmmet saab parandada õhuavade abil. Kaminas olev kütus põleb kiiremal leegiga ja parandab sellega korstna tõmmet. Süte põhjustatud õhutakistuse vähendamiseks tuleb tuhk regulaarselt eemaldada.

Tuha eemaldamine

Pärast pikemat põlemist ja vähemalt korra päevas tuleb tuhk roobiga lükata läbi resti tuhanõusse ja tuhanõud tühjendada. Seda on kõige parem teha hommikul pärast õhtust kütmist, mil söed ja kamin on mahajahtunud olekus. Tühjendage tuhanõu, kui see on poolenisti täitunud, et tuhahunnik ei ulatuks restile liiga lähedale. Kui tuhahunnik ummistab resti ja õhk ei pääse seda jahutama, võib rest üle kuumeneda ning viga saada.

Õhujuhtimisplaadi alt saab tuha kätte sobiva tuhaimuriga. Mõnel mudelil tuleb

õhujuhtimisplaati selleks ettepoole lükata. Pärast puhastamist tuleb plaat oma asendisse tagaseinal alati tagasi lükata. Vahetatavate suitsulõõridega mudelitel võib olla vajalik kinnise lõõri avamine, et ka sealt puhastada.

Hoiatus:

Enne tuha eemaldamist veenduge alati, et tuha hulgas poleks hõõguvaid süsi. Ka külmas tuhas võib hõõguvaid süsi veel olla, mis võivad tuhaämbris põhjustada tulekahju. Puutuhka võib kasutada väetisena.

Saastepiirangud

Kamin on konstrueeritud vähese suitsuga kütuste jaoks. Vastavalt EL seadustele on keelatud põletada järgmisi materjale:

- niisket puitu või puidukaitsevahendiga töödeldud puitu,
- hakkepuitu,
- paberit ja pappi (välja arvatud süütamiseks),
- puukoort või vineerijäätmelid,
- plastmassi või muid jäätmelid.

Nimetatud materjalide põletamine mitte ainult kahjustab keskkonda, vaid lühendab ka kamina tööiga ja võib vigastada korstnat. Kamina regulaarne puhastamine ja hooldamine vähendab saastet. Loomulikult võib põletada puidu küljes olevat koort.

Puhastamine ja hooldamine

Puhastage ja hooldage kaminat selle külmas olekus vähemalt kord aastas ja vajadusel ka tihedamini. Eemaldage kogunenud tuhk lõõrist ning suitsu- ja õhujuhtimisplaadilt. Keraamilistest kiududest ja vermikuliidist õhujuhtimisplaadid võib puhastamiseks välja võtta. Kui olete plaadid puhastanud, pange need ettevaatlikult oma kohale tagasi. Lõõride puhastamiseks sobib hästi peene sõelaga tuhaimur. Akna saab kõige keskkonnasõbralikumalt puhtaks puutuhka või tavalisse klaasipuhastusvahendisse kastetud niiske pannipuhastuskäsnaga. Ka korstnat tuleb regulaarselt lasta korstnapühkijal puhastada. Korstnapühkija teavitab teid, kui sageli seda on vaja teha. Kord aastas peab kamina üle vaatama spetsialist.

Kui lõõrid tuleb puhastamiseks lahti võtta, peab nende ühenduse õigsust pärast tagasipanekut üle kontrollima korstnapühkija või küttespetsialist.

Veaotsing

Kamin kütab halvasti või suitseb.

Valitud kamin on ruumi suuruse või konstruktsiooni jaoks liiga väike.

- Valige õiges suuruses kamin.

Kamin või lõõr on kaetud tahmaga.

- Puhastage kamin ja lõõrid regulaarselt.

Kamina ühendus korstnaga pole hermeetiline.

- Kontrollige ühendust ja tihendage.

Kaminat köetakse vale kütusega.

- Kasutage kasutusjuhendile

Kamin on ühendatud korstnaga valesti või korsten on ülekoormatud.

- Konsulteerige korstnapühkija või küttespetsialistiga.

Õhu juurdevool väljast on puudulik.

Õhutage tihedamini ja eemaldage vajadusel aknatihendid.

Käitlemine

Kamina käitlemine

Käesolevat toodet ei tohi visata olmeprügi hulka! Selle käitlemine peab toimuma professionaalselt. Vajalikku infot saate kohalikelt jäätmekäitlusametnikelt.

Pakendi käitlemine

Toote pakend koosneb papist ja plastmassist, mida saab taaskasutada. Toimetage need materjalid taaskasutuskeskusesse.

Garantii

Müüja annab tootele garantii täies mahus vastavalt kohalikule seadusandlusele, millel põhjal ostu-müügileping müüja ja ostja vahel on sõlmitud.

Kehtivad kohalikud seadused on alati ülilmslikud käesolevas kasutusjuhendis toodud tingimuste suhtes.

Kui käesolev juhend ei ole vastuolus kohalike seadustega või kui kohalikud seadused ei sätesta teisiti, kehtivad ostu-müügilepingu puhul järgmised tingimused:

Üldist

Müüja annab käesolevale tootele 1 aastase garantii vastavalt garantii üldtingimustele, välja arvatud soojuspaisumise helid ning vahetult tulega kokku puutuvad osad – šamott, klaas, tihendid ja tarvikud. Garantii hakkab kehtima tarnepäevast. Ostu tõestuseks on müügiarve.

Garantiipõhimõtted

1. Müüja annab tootele 1 astase garantii alates toote tarnepäevast, tagades

1a) kvaliteetsed vajadusele ja tootmiseks vastavad materjalid,

1b) õige konstruktsiooni,

1c) nimisoojusvõimsuse (W) vastavalt standarditele EN 13240 ning kütteomadused vastavalt standardile DIN 18893 (vaadake nimiplaati või tooteprospektiil).

Punktides 1) ja 2) mainitud garantii hõlmab toote või nimetatud osade tasuta remondi. Pretensioone osade tasuta väljavahetamise osas võib esitada ainult nende materjali- või tootmisvigade korral. Edasised pretensioonid on välistatud.

2. Müüja ei vastuta selliste kahjude ning toote või selle osade vigade eest, kui põhjuseks on:

2a) väline, keemiline või füüsiline mõju tootele transportimisel, hoiustamisel, paigaldamisel ja kasutamisel (nt ootamatu kokkupuude veega, ülekeev toit, kondensvesi, ülekütmine vale kasutamise tõttu (nt avatud tuharuumi uksega)); juuspeenid pragusid emailpinnal ei loeta kvaliteedi puudumiseks;

2b) valesti valitud suurusega kamin;

2c) vastavate ehituseeskirjade eiramine;

2d) toote vale paigaldamine ja ühendamine;

2e) korstna ebapiisav või liiga tugev tõmme;

2f) ebaprofessionaalselt teostatud hooldus ja eriti koldekambrile või suitsutorule (lõõr ja korsten) tehtud muudatused;

2g) sobimatu kütuse kasutamine;

2h) vale kasutamine, kamina ülekoormamine (vt tootja kasutusjuhiseid);

2i) vahetult tulega kokkupuutuvate raud-, šamott- ja klaasosade kulumine, kui need pole kaetud garantiiga (1a);

2j) vale käsitsemine;

2k) ebapiisav hooldus, sobimatute puhastusvahendite kasutamine.

Apsveicam ar Mustang izstrādājuma izvēli! Mustang grilēšanas aprīkojuma līnija ir izstrādāta kvalitatīva ēdiena gatavošanai. Tajā ietilpst plašs grilēšanas un ēdiena gatavošanas iekārtu un piederumu klāsts. Sīkāku informāciju par mūsu ražojumu sortimentu meklējiet www.mustang-grill.fi vai jautājiet tuvākajam licencētajam Mustang mazumtirgotājam!

Mēs nepārtraukti pilnveidojam Mustang līnijas izstrādājumus un citas piedāvājumā esošās preces. Lietotāju atsauksmēm ir svarīga loma ražojumu pilnveidē un kvalitātes nodrošināšanā. Mēs vienmēr priecājamies saņemt atsauksmes par mūsu ražojumiem – rakstiet uz e-pasta adresi mustang@mustang-grill.fi.

Lūdzam uzmanīgi izlasīt lietošanas instrukciju, lai varētu izmantot visas grila priekšrocības. Rūpīga un regulāra tīrīšana un apkope pagarinās grila lietošanas ilgumu un uzlabos drošību. Mustang izstrādājumu līnijā atradīsiet arī piemērotus grila tīrīšanas un kopšanas līdzekļus un piederumus.

Plašāka informācija pieejama www.mustang-grill.fi.

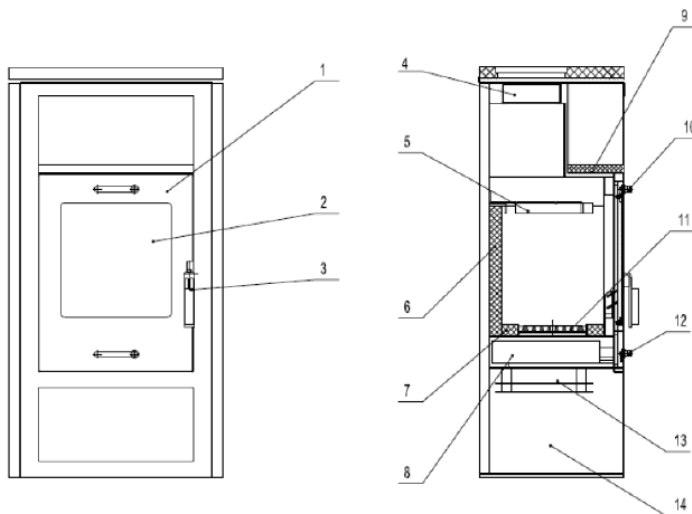
Samontēta kamīnkrāsns Basement

Uzmanīgi izlasiet šo lietošanas instrukciju. Tajā sniegtā informācija par kamīnkrāsns darbību un lietošanu ļaus ierīci efektīvāk izmantot un pagarināt tās ekspluatācijas laiku, turklāt, kamīnkrāsns pareizi lietojot, jūs ietaupīsiet kurināmo un palīdzēsiet aizsargāt vidi. Garantija attiecībā uz mūsu izstrādājumiem ir spēkā tikai tad, ja tiek ievērotas šajā uzstādīšanas un lietošanas instrukcijā minētās prasības. Saglabājiet šo lietošanas instrukciju, lai katras apkures sezonas sākumā varētu to pārlasīt un atsvaidzināt zināšanas par kamīnkrāsns pareizu lietošanu.

Apraksts

Kamīnkrāsns ir ideāli piemērots dzīvojamam un darba telpu apkurei. Kamīnkrāsns korpuss ir izgatavots no metinātas tērauda konstrukcijas. Gaisa sildīšanu un patīkamu mikroklimatu telpā nodrošina izstarojuma siltums un konvekcijas siltums. Tas nozīmē, ka kamīnkrāsns ātri sasilina vēsas, kādu laiku neapkurinātas telpas. Telpas gaiss nokļūst kamīnkrāsnī caur primāro un sekundāro gaisa ieplūdes atveri. Gaiss tiek sasildīts kamīnkrāsns kamerā un tiek novadīts uz dūmgāzu izvadu, kas atrodas virs kurtuves. Šajā procesā kamīnkrāsns kameras augšējā daļa stipri sakarst un siltums izplatās telpā.

Izstarojuma siltuma rada siltuma starojums kurtuves durvju stikla paneļa tuvumā un kamīnkrāsns metāla virsmu un sānu paneļu siltuma starojums, ja kamīnkrāsns ir aprīkots ar sānu paneļiem, kas apšūti ar dabīgā akmens vai keramikas podiņiem. Konvekcijas siltums galvenokārt rodas, izmantojot dubultsienu konstrukcijas modeļus, kuros aukstais gaiss caur apakšējām gaisa ieplūdes atverēm ieplūst dobajās sānu kamerās, stipri sakarst, ceļas uz augšu un caur augšējām gaisa izplūdes atverēm tiek novadīts atpakaļ telpā.



Detaljas:

1. Degkameras durvis
2. Stikla panelis
3. Durvju rokturis
4. Dūmvada pieslēgumvieta
5. Augšējais gaisa deflektors
6. Degkameras oderējums
7. Režģa turētājs
8. Pelnu kaste
9. Nodalījums karstiem dzērieniem
10. Sekundārais gaisa padeves regulators
11. Režģis
12. Primārais gaisa padeves regulators
13. Uguns aizsardzības plāksne
14. Kurināmā uzglabāšanas nodalījums

Izmēri un svars:

- Augstums 1038 mm
- Platums 542 mm
- Dziļums (bez roktura) 365 mm
- Svars 110 kg
- Caurules diametrs 150 mm

Vispārīgi norādījumi un drošības informācija

Lietotājam jāievēro valsts un Eiropas normatīvo aktu prasības, kā arī vietējie noteikumi un būvnoteikumi un ugunsdrošības prasības. Uztādot kamīnkrāsns, jāpārliedz, ka ir ievērotas visas obligātās ugunsdrošības prasības un visi pārējie jūsu valstī spēkā esošie noteikumi, un jākonsultējas ar vietējā dūmvadu tīrīšanas dienesta pārstāvi vai apkures speciālistu. Viņu uzdevums ir arī pārbaudīt, vai ierīce ir pareizi pievienota dūmenim.

Pirms kamīnkrāsns uzstādīšanas pārbaudiet, vai pamatnes konstrukcijas lietderīgā slodze ir pietiekama, lai uz tās varētu novietot kamīnkrāsns. Ja pamatnes konstrukcijas lietderīgā slodze nav pietiekama, jāveic attiecīgi pasākumi, lai šo problēmu novērstu (piemēram, jāizmanto piemērota plāksne, kas nodrošina labāku slodzes sadalīšanu).

Kamīnkrāsnij ir veikti visi tiesību aktos paredzētie testi. Ir ievērotas noteiktās specifiskās vērtības attiecībā uz sildīšanas tehnisko efektivitāti un dūmu emisijām. Šajā instrukcijā ir aprakstīta pirmā konstrukcijas tipa (BA 1) kamīnkrāsns, kas ir testēta saskaņā ar standartiem DIN 18891 ("Cietā kurināmā kamīnkrāsns ar dūmeņiem") un EN 13240. Pirmā konstrukcijas tipa kamīnkrāsns (sk. tipa plāksnīti) var pievienot dūmeņiem ar vairākiem savienojumiem, ja to pieļauj dūmeņa izmērs saskaņā ar standartu EN 13384 vai 13384-2. Šī ir lēnās degšanas kamīnkrāsns.

Ja pirmā konstrukcijas tipa kamīnkrāsns pievieno dūmeņiem ar vairākiem savienojumiem, kurtuves durvju fiksējošās atsperes nav atļauts noņemt. Pie pirmā konstrukcijas tipa pieder kamīnkrāsns ar pašaizverošām kurtuves durvīm. Kurtuves durvis drīkst atvērt vienīgi, lai ieliktu kurināmo un izgrābtu pelnus. Pārējā laikā durvīm jābūt aizvērtām arī tad, ja kamīnkrāsns nelieto, lai nepieļautu ietekmi uz pārējām apkures ierīcēm un izvairītos no apdraudējuma. Telpā, kur atradīsies kamīnkrāsns, jānodrošina pietiekama svaiga gaisa pieplūde.

Telpas logi un durvis nedrīkst būt ļoti blīvi noslēdzami, lai tiktu nodrošināta degšanai nepieciešamā gaisa pieplūde. Arī tad, ja dzīvoklī darbojas izplūdes sistēmas (ventilācija vannas istabā, tvaiku nosūcējs virtuvē utt.) vai citas pievienotas ierīces, jāragās, lai kamīnkrāsnij pieplūstu vajadzīgais minimālais gaisa daudzums. Uzmanību! Kamīnkrāsns nedrīkst lietot vienlaikus ar regulējamām gaisa kondicionēšanas sistēmām.

Kamīnkrāsns lietošana nav saistīta ar risku, ja kondicionēšanas sistēmas vienkārši nodrošina gaisa cirkulāciju telpā vai tām ir drošības funkcijas, kas automātiski un droši novērš pazemināta spiediena rašanos telpā. Konsultējieties ar vietējā dūmvadu tīrīšanas dienesta pārstāvi vai apkures speciālistu, lai nodrošinātu pietiekamu degšanai nepieciešamā gaisa pieplūdi.

Kurināmajam sadegot, atbrīvojas siltumenerģija, tāpēc apkures ierīces virsmas (durvis, durvju un rokturu regulatoru kloķi, stikla paneļi, sānu paneļi, priekšējais panelis un dūmvads) stipri sakarst. Pirms pieskaršanās šīm detaļām uzvelciet atbilstošus karstumizturīgus cimdus! Pieliekot kurināmo un pieskatot uguni, nevalkājiet plandošu un viegli uzliesmojošu apģērbu! Informējiet par šiem riskiem bērniem un neļaujiet bērniem atstāties iekurtas kamīnkrāsns tuvumā. Kurinot kamīnkrāsns ar nepiemērotu vai pārāk mīru kurināmo, dūmeni uzkrājusies degšanas nosēdumi var izraisīt dūmeņa ugunsgrēku. Tādā gadījumā aizveriet visas kamīnkrāsns gaisa ieplūdes atveres un informējiet ugunsdzēsības dienestu. Pēc dūmeņa ugunsgrēka uzaiciniet dūmvadu speciālistu pārbaudīt, vai dūmeni nav radušās plaisas un spraugas.

Kamīnkrāsns uzstādīšana un pievienošana dūmenim

Kamīnkrāsns iepakojums ir paredzēts, lai nodrošinātu kamīnkrāsns optimālu aizsardzību pret bojājumiem. Tomēr ir iespējams, ka transportēšanas laikā kamīnkrāsnij vai piederumiem ir radušies bojājumi. Pēc izpakošanas pārbaudiet,

vai kamīnkrāsnij nav bojājumu un vai ir piegādātas visas detaļas! Ja konstatējat, ka kamīnkrāsns ir bojāta vai trūkst kādas detaļas, nekavējoties par to informējiet kamīnkrāsns pārdevēju!

Piezīme: par defektiem neuzskata izkustējušās vai no stiprinājumiem izslīdējušās gaisa deflektora plāksnes un tamlīdzīgas nepilnības (sk. nodaļu Kamīnkrāsns pirmā lietošanas reize).

Kamīnkrāsns iepakojums pārsvarā ir ekoloģiski nekaitīgs. Koksnes iepakojuma materiāla virsma nav apstrādāta, tāpēc šo iepakojumu var sadalīt mazākos gabalos un izmantot kā kurināmo. Kartonu un citus iepakojuma materiālus var nodot atbilstīgi pārstrādei vietējos savākšanas punktos.

Kamīnkrāsns ar pašaizverošām kurtuves durvīm var pievienot dūmenim, pie kura jau ir pievienotas citas kamīnkrāsns un kamīni, ja to pieļauj dūmeņa izmērs saskaņā ar standartu EN 13384 vai 13384-2.

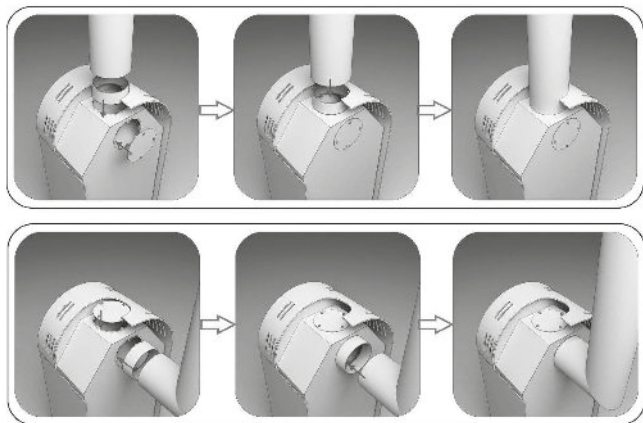
Lietojot vairākas apkures ierīces vienā telpā vai ar vienu dūmvada savienojumu, jānodrošina pietiekama degšanai nepieciešamā gaisa pieplūde.

Kamīnkrāsns savieno ar dūmeni, izmantojot dūmvadu, kas izgatavots no 2 mm bieža lokšņu tērauda. Dūmvada savienojumiem ar dūmgāzu izvadu un dūmeni jābūt drošiem un hermetizētiem. Droši un hermetizēti savienojumi ir obligāti prasība, montējot dūmvadu un savā starpā savienojot dūmvada elementus. Ir ļoti svarīgi neievietot dūmvadu dūmeni pārāk tālu, lai nenosprostotu velkmi. Pieslēgšanas vietu iesakām noblīvēt, izmantojot speciālu hermētiķi.

Izmantojot garus dūmvadus, pēc iespējas jāvairās no horizontāliem posmiem un likumiem. Vēlams, lai dūmvads būtu novietots ar kāpumu dūmeņa virzienā. Sliktas dūmeņa velkmes gadījumā iesakām pievienot kamīnkrāsns dūmenim ar vismaz 1 m garu vertikālu cauruli.

Kopumā, pievienojot dūmvadus, jāievēro visas tiesiskā regulējuma prasības. Piemēram, ja dūmvadu pievieno dūmenim no augšas, jāievēro vismaz 40 cm attālums no dūmvada līdz uzliesmojošiem konstrukcijas elementiem. Šo minimālo attālumu var samazināt līdz 10 cm, ja dūmvads ir izolēts ar vismaz 2 cm biezu nedegoša materiāla siltumizolācijas slāni.

Dūmvada savienojuma pareizība vienmēr jāapstiprina vietējā dūmvadu tīrīšanas dienesta pārstāvim vai apkures speciālistam.



Drošības attālumi (minimālie attālumi)

Uzstādot dūmeni, vienmēr jāievēro spēkā esošie ugunsdrošības noteikumi. Šajā jautājumā konsultējieties ar vietējā dūmvadu tīrīšanas dienesta pārstāvi vai apkures speciālistu.

Jāievēro minimālais attālums līdz uzliesmojošiem vai pret temperatūras izmaiņām jutīgiem materiāliem (piemēram, mēbelēm, tapetēm, koka apšuvumu) un nesošajām sienām.

Uzliesmojošu vai pret temperatūras izmaiņām jutīgu grīdas segumu gadījumā ierīce jānovieto uz ugunsdrošas grīdas aizsargplāksnes (piemēram, tērauda vai stikla plāksnes). Grīdas aizsargplāksnes, ko novieto zem kamīnkrāsns vai ap kamīnkrāsns, varat iegādāties pie kamīnkrāsns pārdevēja, izvēloties no piedāvājumā esošā sortimenta.

Minimālais attālums līdz viegli uzliesmojošiem materiāliem:

A. Aizmugurē 40 cm

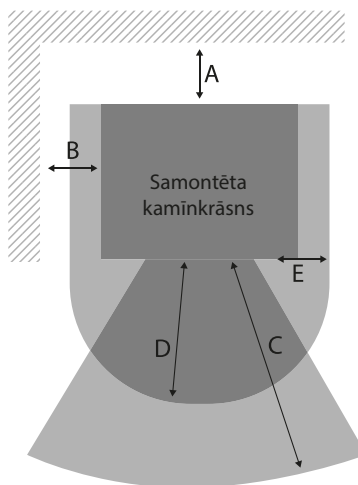
B. Šānos 34 cm

C. Stikla paneļa siltuma starojuma zona 80 cm

Minimālais attālums līdz aizsargplāksnei malai (uz grīdas seguma, kas ir jutīgs pret temperatūras izmaiņām):

D. Stikla paneļa siltuma starojuma zona 50 cm

E. Degkameras iekšējā siena 30 cm



Kamīnkrāsns lietošana

Kamīnkrāsns drīkst kurināt tikai pieaugušie. Nekad neatstājat bērns kamīnkrāsns tuvumā bez uzraudzības (neatstājat arī kamīnkrāsns uz ilgāku laiku bez uzraudzības). Kamīnkrāsns ir atļauts lietot tikai saskaņā ar šīs lietošanas instrukcijas prasībām. Lūdzam ievērot nodaļā Vispārīgi norādījumi no drošības informācija minētos drošības noteikumus.

Atļautie kurināmie veidi

Šī ir lēnās degšanas kamīnkrāsns.

Kamīnkrāsns ir piemērota maz dūmojošiem kurināmajiem veidiem.

Atļautie kurināmie veidi ir skaldītas pagales (garums 30 cm, diametrs 10 cm) un brūnoglju briķetes.

Atļauts izmantot tikai gaisā žāvētas skaldītas pagales ar maksimālo mitruma saturu 20 %, ko panāk, mikstu koksni žāvējot vismaz vienu gadu, bet cietu – vismaz divus gadus.

Uzmanību! Koksne nav lēni degošs kurināmais, tāpēc kamīnkrāsns nekuras visu nakti.

Uzmanību! Kā kurināmo nekad neizmantojiet atkritumus, piemēram, tapetes, finiera atgriezumus, plastmasu un apstrādātu koksni!

Ievērojiet visus jūsu valsti spēkā esošos noteikumus.

Degšanas gaisa padeves regulatora iestatīšana

Lūdzam ievērot ieteicamos iestatījumus, lai nodrošinātu kurināmā siltumenerģijas optimālu izmantošanu, tādējādi ietaupot kurināmo un aizsargājot vidi.

Kamīnkrāsns pirmā lietošanas reize

Pirms kamīnkrāsns pirmās lietošanas reizes noņemiet visas uzlīmes un izņemiet no pelnu kastes un kurtuves visus piederumus, kā arī visus drošai transportēšanai izmantotos palīg līdzekļus. Modeļiem ar keramikas vai vermikulīta gaisa deflektora plāksnēm pārbaudiet, vai plāksnes droši turas pie stiprinājumiem (kamīnkrāsns transportēšanas un uzstādīšanas laikā tās var būt izslīdējušas). Ja plāksnes ir izslīdējušas, novietojiet tās atpakaļ vietā.

Modeļiem ar keramikas plāksnēm vai akmeņiem ievietojiet plāksnes vai akmeņus degkamerā. Keramikas plāksnes un akmeņi jānoslauka ar sausu drānu.

Modeļiem ar keramikas plāksnēm vai akmeņiem ievietojiet plāksnes vai akmeņus degkamerā. Keramikas plāksnes un akmeņi jānoslauka ar sausu drānu.

Pirmo reizi kurinot kamīnkrāsns, uzmanīgi ielieciet kurināmo un "iesildiet" kamīnkrāsns ar pavisam mazu liesmu. Visiem materiāliem lēni vienmērīgi jāiesilst. Lēni kurināta kamīnkrāsns labāk iesilst, tāpēc neveidojas plaisas izolācijas akmeņos, nebojājas krāsojums un nedeformējas materiāli. Aizsargkrāsojumam izžūstot, izdalās smaka, ko nav iespējams novērst, bet kas pēc īsa brīža izgaro. Raugieties, lai kurināšanas laikā telpā būtu laba ventilācija.

Aizmugurējās dūmvada pieslēgvietas lietošana (nav pieejams visiem modeļiem) Dažu modeļu kamīnkrāsns var pievienot dūmenim, izmantojot aizmugurē esošu dūmvada pieslēgvietu. Šiem modeļiem atsevišķi ir pievienota papildu instrukcija. Vajadzības gadījumā to var pasūtīt pie kamīnkrāsns pārdevēja.

Iekuršana un kurināšana

Vispirms kurtuves dibenā vai uz režģa novietojiet 2 vai 3 skaldītas pagales (aptuveni 1,5–2,0 kg). Virs pagalēm uzlieciet nekārtotu papīru, kartonu vai iekuru un pielieciet žaģarus, skalus vai briķešu gabaliņus. Visiem gaisa padeves regulatoriem jābūt maksimāli atvērtiem. Kad kamīnkrāsns ir iekūrusies, aizveriet kurtuves durvis. Iestatiet gaisa padeves regulatorus saskaņā ar instrukciju.

Atcerieties, ka viss kamīnkrāsns korpuss un arī gaisa padeves regulatori spēcīgi sakarst! Rikojoties ar kamīnkrāsns, vienmēr valkājiet piemērotus cimdus!

Kurināmā papildināšana

Stikla paneļa tīrību lielā mērā ietekmē ne vien piemērota kurināmā izmantošana un pietiekama dūmeņa velkme, bet arī kamīnkrāsns lietošanas veids. Tāpēc iesakām likt kurināmo kamīnkrāsns vienā slānī un izmantot pēc iespējas lielākas pagales (aptuveni 30 cm), lai piepildītu kurtuvi visā platumā. Briķetes kurtuvē jānovieto tā, lai tās veidotu vienu slāni (briķetes jānovieto aptuveni 5–10 mm

attālumā cita no citas).

Uzmanību! Pirms kurināmā papildināšanas ugunij jāizdeg līdz gailošām oglēm (bez liesmām).

Pirms kurtuves durvju atvēršanas pilnīgi aizveriet visus gaisa padeves regulatorus, lai dūmi no degkambars nenokļūtu dzīvojamās telpās. Pēc kurināmā papildināšanas kurtuves durvis atkal aizveriet. Uzreiz pēc tam maksimāli atveriet visus gaisa padeves regulatorus, lai kurināmais aizdegos pēc iespējas straujāk. Tiklīdz kurināmais ir labi aizdedzies, lēni atiestatiet gaisa padeves regulatorus iepriekšējā stāvoklī saskaņā ar instrukcijai norādītajām specifiskajām (ja kā kurināmo izmantojat skaldītas pagales, vispirms aizveriet primāro gaisa padeves regulatoru. Kurinot kamīnkrāsni ar nepiemērotu vai pārāk mitru kurināmo, dūmeni uzkrājusies degšanas nosēdumi var izraisīt dūmeņa ugunsgrēku. Tādā gadījumā aizveriet visas gaisa ieplūdes atveres un informējiet ugunsdzēsības dienestu. Pēc dūmeņa ugunsgrēka uzaiciniet dūmvadu speciālistu pārbaudīt, vai dūmeni nav radušās plaisas un spraugas.

Nekad nemēģiniet dzēst liesmas vai gailošas ogles ar ūdeni! Tādā gadījumā jūs cita starpā riskējat sabojāt kamīnkrāsni un jo īpaši stiklu!

Kurināmais: skaldītas pagales

Maks. daudzums: 2 pagales (1,5–2,0 kg) vai 1 koka briķete (1,5 kg)
Primārais gaisa padeves regulators: atver uz 10 minūtēm (MAX), tad aizver (MIN)
Sekundārais gaisa padeves regulators (pie durvīm): 1/2 atvērts

Kurināmais: brūnogļu briķetes

Maks. daudzums: 2–3 briķetes (1,5–2,0 kg)
Primārais gaisa padeves regulators: 1/3 atvērts
Sekundārais gaisa padeves regulators (pie durvīm): 1/3 atvērts

Lietošana starpsezonu periodā

Starpsezonu periodā, kā arī gadījumos, kad ārējais temperatūra ir augstāka nekā parasti, pēkšņa temperatūras paaugstināšanās zināmos apstākļos var radīt dūmeņa velkmes (kamīnkrāsns velkmes) problēmas, kas nozīmē, ka visas dūmgāzes netiek izvadītas. Šā iemesla dēļ starpsezonu periodā kamīnkrāsns jākurina ar ļoti mazu kurināmā daudzumu, lai būtu iespējams uzlabot degšanas un velkmes procesu, atverot gaisa padeves regulatorus. Tādā gadījumā kamīnkrāsni esošais kurināmais degs straujāk un ar lielāku liesmu un stabilizēs dūmeņa velkmi. Lai nodrošinātu brīvu gaisa plūsmu, bieži jāizgrābj pelni.

Pelnu izgrābšana

Pēc ilgstošas kurināšanas vismaz reizi dienā pelni ar kamīnkrāsns krūki jāizrušina caur režģi, lai tie iebirtu pelnu kastē, un pelnu kaste jāiztukšo. To vislabāk darīt no rīta, kad kamīnkrāsns nakti ir izkūrisies un pelni un kamīnkrāsns ir relatīvi atdzisuši. Atcerieties, ka pelnu kaste jāiztukšo, kad tā ir aptuveni līdz pusei pilna, lai pelnu kaudze neatrastos pārāk tuvu režģim. Ja pelnu ir tik daudz, ka režģis zem pelnu kaudzes nav redzams, tas var pārkarst un deformēties, jo tam nevar piekļūt gaiss, lai to atdzesētu.

Pelnu nosēdumus zem gaisa deflektora plāksnēm vislabāk notīrīt ar piemērotu pelnu putekļsūcēju. Lai to izdarītu, dažiem modeļiem augšējā gaisa deflektora plāksne jāpastumj uz priekšu. Pēc tīrīšanas pabeigšanas tas vienmēr jāiestumj atpakaļ sākotnējā stāvoklī pie kamīnkrāsns aizmugurējās sienas. Modeļiem ar noņemamiem dūmvadiem var nākties noņemt dūmvada noņemamo daļu, lai iztīrītu savienojuma vietu ar kamīnkrāsni.

Uzmanību!

Pirms pelnu kastes iztukšošanas vienmēr pārbaudiet, vai pelnos nav palikušas gailošas ogles. Arī tad, ja pelni ir auksti, tajos var būt gailošas ogles, kas var izraisīt ugunsgrēku atkritumu urnā. Koksnes pelnus var izmantot kā mēslojumu.

Emisiju ierobežošana

Šī kamīnkrāsns ir paredzēta kurināšanai ar maz dūmojošiem kurināmā veidiem. Saskaņā ar ES emisijas reglamentējošajiem tiesību aktiem kā kurināmā nedrīkst izmantot, piemēram, šādus materiālus:

- mitru koksni vai ar koksnes aizsarglīdzekļiem apstrādātu koksni,
- koka skaidas,
- papīru un kartonu (drīkst izmantot tikai kā iekuru),
- koku mizas un finiera ražošanas atkritumus,
- plastmasas un citus atkritumus.

Šo materiālu dedzināšana ne vien nodara kaitējumu videi, bet sāpina arī kamīnkrāsns ekspluatācijas ilgumu un var sabojāt dūmeni. Kamīnkrāsns regulāri tīrīšana un apkope mazina piesārņojošas emisijas. Skaldītas pagales, protams, var dedzināt ar visu mizu.

Tīrīšana un apkope

Kamīnkrāsns tīrīšana un apkope jāveic, kad kamīnkrāsns ir atdzisusi, un tas jā dara vismaz reizi gadā, bet vajadzības gadījumā biežāk. Atbrīvojiet no pelnu nosēdumiem dūmvadu un dūmgāzu gaisa deflektoru plāksnes. No keramikas vai vermikulīta izgatavotas gaisa deflektora plāksnes var noņemt, lai notīrītu.

Pēc notīrīšanas uzmanīgi nolieciet plāksnes atpakaļ vietā. Dūmvadu tīrīšanai ļoti piemērots ir pelnu putekļsūcēju ar sīku daļiņu filtru. Netīrumus no stikla vislabāk tīrīt dabai draudzīgākajā veidā, izmantojot ūdeni samitrinātu trauku mazgāšanas sūkli un koksnes pelnus vai citu parasto mājāsaiņniecības stiklu tīrīšanas līdzekli. Arī dūmeņa regulāri jātīra, uzticot šo darbu dūmvadu tīrītājam. Dūmvadu tīrīšanas dienesta pārstāvis jums pateiks, cik bieži dūmeņa jātīra. Reizi gadā kamīnkrāsns jāpārbauda speciālistam.

Ja dūmvads tīrīšanas nolūkā jānoņem, pēc tīrīšanas kamīnkrāsns un dūmeņa sistēmas savienojuma pareizība vienmēr jāapstiprina vietējam dūmvadu tīrīšanas dienesta pārstāvim vai apkures speciālistam.

Defekti un to iemesli

Kamīnkrāsns pienācīgi nesilda vai dūmo

Izvēlēta kamīnkrāsns ir pārāk maza telpas lielumam vai konstrukcijai.

- Izvēlēties piemērota lieluma kamīnkrāsni.
- Kamīnkrāsns vai dūmvads ir klāti ar sodrējiem.
- Regulāri tīriet kamīnkrāsni un dūmvadu.

Kamīnkrāsns savienojums ar dūmeni nav hermētisks.

- Pārbaudiet un hermetizējiet savienojumu.

Kamīnkrāsns tiek kurināta ar nepareizu kurināmo.

- Izmantojiet lietošanas instrukcijā minēto kurināmo.

Kamīnkrāsns ir nepareizi pievienota dūmenim vai dūmeņa ir pārslodgots.

- Konsultējieties ar vietējo dūmvadu tīrīšanas dienestu vai apkures speciālistu.
- Kamīnkrāsni no ārpuses nepieplūst svaigs gaiss.
- Biežāk vēdiniet telpu un, iespējams, dehermetizējiet logus.

Utilizācija

Atbrīvošanās no ierīces

Šo ierīci nedrīkst izmest kopā ar sadzīves atkritumiem! Raugieties, lai tā tiktu utilizēta profesionāli. Informāciju vaicājiet attiecīgajiem atkritumu apsaimniekošanas dienestiem.

Atbrīvošanās no iepakojuma

Iepakojums sastāv no kartona un marķētas plastmasas, ko var pārstrādāt. – Nogādājiet šos materiālus savākšanas punktā otrreizējai pārstrādei.

Garantija

Pārdevējs šai ierīcei piešķir pilnu garantiju saskaņā ar attiecīgajām valsts tiesību aktu prasībām (turpmāk "valsts tiesību aktu prasības"), kas attiecas uz šo pirkuma līgumu, kurš noslēgts starp pārdevēju un pircēju (turpmāk "pirkuma līgums"). Saistošās valsts tiesību aktu prasības vienmēr ir prioritāras salīdzinājumā ar šajā lietošanas instrukcijā izklāstītajiem nosacījumiem.

Ja šī instrukcija nav pretrunā valsts tiesību aktu prasībām un ja saskaņā ar valsts tiesību aktu prasībām nav noteikts citādi, uz pirkuma līgumu attiecas šādi noteikumi.

Vispārīga informācija

Pārdevējs saskaņā ar garantijas noteikumiem šai ierīcei piedāvā 1 gadu garantiju, kas neattiecas uz fiziskās izplešanās skaņām, kā arī uz detaļām, kuras nonāk tiešā kontaktā ar atklātu liesmu, šamotu, stiklu, izolācijas materiāliem un paligmateriāliem. Garantijas termiņš sākas ar piegādes dienu. Pirkuma apliecinājums ir faktūrrēķins.

Garantijas noteikumi

1. Pārdevējs uzņemas garantiju uz laiku, kas ir divi gadi no ierīces piegādes dienas galapatērētājam, un tā attiecas uz šādiem aspektiem:

1.a) teicama materiālu un ražošanas kvalitāte, kas pilnīgi atbilst ierīces lietošanas nolūkam;

1.b) pareiza konstrukcija;

1.c) nominālās siltuma jaudas (W) nodrošināšana saskaņā ar standartu EN 13240 un telpu sildīšanas jaudas nodrošināšana saskaņā ar standartu DIN 18893 (sk. ierīces tipa plāksnīti, norādītos tehniskos datus vai katalogā norādītās specifiskācijas. Garantija, kas minēta 1. un 2. punktā, attiecas uz ierīces un bojātu detaļu bezmaksas remontu. Bez maksas tiek nomainītas tikai detaļas ar redzamiem materiālu un ražošanas defektiem. Citas pretenzijas netiek pieņemtas

2. Pārdevējs neuzņemas garantiju par ierīces un tās detaļu bojājumiem un defektiem, kas radušies šādu iemeslu dēļ:

2.a) ārēja, ķīmiska un fizikāla iedarbība uz ierīci tās transportēšanas, uzglabāšanas, uzstādīšanas un lietošanas laikā (piemēram, bojājumi, ko radījis auksts ūdens, izlījis karsts ēdiens, kondensācija, pārkarsēšana nepareizās lietošanas rezultātā (piemēram, atstājot vaļā pelnu nodalījuma durvis); emaljētās daļās izveidojušās "mata" plaisas nav uzskatāmas par kvalitātes defektu;

2.b) izraudzīta nepareiza lieluma kamīnkrāsns;

2.c) nav ievēroti attiecīgie piemērojami būvnoteikumi;

2.d) ierīce nepareizi uzstādīta un pievienota;

2.e) nepietiekama vai pārāk spēcīga dūmeņa velkme;

2.f) neprofesionāli veikti apkopes vai citi darbi, jo īpaši kamīnkrāsns vai dūmgāzu caurules (dūmvada un dūmeņa) nesankcionēti pārveidojumi;

2.g) nepiemērota kurināmā izmantošana;

2.h) ierīces nepareiza lietošana, maksimālā kurināmā daudzuma pārsniegšana (sk. ražotāja lietošanas instrukciju),

2.i) tādu detaļu nodilums, kuras nonāk tiešā kontaktā ar atklātu liesmu un ir izgatavotas no dzelzs, šamota vai stikla, jo uz tām neattiecas garantija saskaņā ar 1.a) punktu;

2.j) nepareiza apiešanās ar ierīci;

2.k) nepietiekama apkope, nepiemērotu tīrīšanas līdzekļu izmantošana

Sveikiname išsirinkus „Mustang“ gaminį! „Mustang“ barbekiu gaminių šeima sukurta geram maistui ruošti. Mūsų liniją sudaro įvairūs kepsninių ir kiti valgio gaminių gaminiai. Norėdami daugiau sužinoti apie mūsų gaminių asortimentą, eikite adresu www.mustang-grill.fi arba į artimiausią licencijuotą „Mustang“ mažmeninės prekybos vietą!

Nuolatos tobuliname „Mustang“ liniją ir kitus siūlomus gaminius. Kuriant gaminius svarbų vaidmenį vaidina naudotojų atsiliepimai, padedantys užtikrinti kokybę. Labai džiaugtumėmės, jei atsiliepiate apie mūsų gaminius pateiktumėte adresu mustang@mustang-grill.fi.

Prašome nuodugniai susipažinti su naudotojo instrukcija, kad galėtumėte kuo labiau išnaudoti kepsninės privalumus. rūpestingai ir reguliariai valydami bei prižiūradami kepsninę prailginsite jos naudojimo trukmę ir padidinsite saugumą. „Mustang“ gaminių linijoje taip pat siūlomos tinkamos valymo priemonės ir priežiūrai skirti įrankiai.

Norėdami gauti daugiau informacijos, eikite adresu www.mustang-grill.fi.

Anksto surinktas židinyas Basement

Įdėmiai perskaitykite šią naudojimo instrukciją. Ši naudojimo instrukcija informuos jus apie krosnelės funkcijas ir naudojimą, todėl galėsite naudingsiau ir ilgiau naudoti įtaisą, be to, tinkamai šildydami sutaupysite kuro ir tausosite aplinką. Galime suteikti garantiją savo gaminiams tik tuo atveju, jei laikysitės toliau šioje naudojimo instrukcijoje pateiktų rekomendacijų. Šias naudojimo išsaugokite, kad galėtumėte juos peržiūrėti kiekvieno šildymo sezono pradžioje, taip užtikrindami, kad žinote, kaip tinkamai naudoti krosnelę.

Aprašymas

Krosnelės idealiai tinka šildyti gyvenamąsias ir darbo patalpas. Krosnelės korpusas pagamintas iš suvirintos plieninės konstrukcijos.

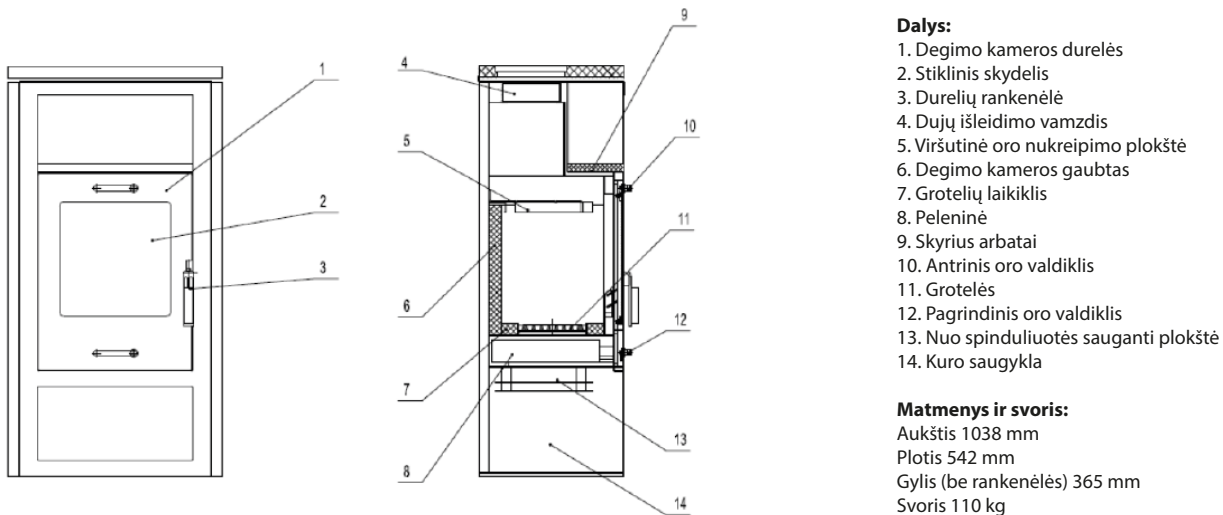
Spinduliuojama ir konvekcijos būdu perduodama šiluma šildo kambario orą ir sukuria komfortabilų klimatą. Todėl galėsite greitai įšildyti šaltas patalpas, kurios prieš tai kurį laiką nebuvo šildomos.

Patalpos oras patenka į krosnelę pro pagrindinę ir antrinę oro įleidimo angas.

Oras įšildomas krosnelės kameroje ir tiekiamas į dūmtakio angą virš degimo kameros. Dėl to viršutinė krosnelės kameros dalis smarkiai įkaista ir įšilęs oras pasiskirsto po patalpą.

Spinduliuojama šilumos dalis atsiranda dėl šiluminės spinduliuotės iš srities aplink pakuros durelių langelį, iš metalinių krosnies paviršių ir, jei yra, nuo natūralaus akmens arba keramikos plytelėmis dengtų šoninių skydelių paviršių.

Konvekcijos būdu sklindanti šilumos dalis atsiranda daugiausiai naudojant dviejų sienelių konstrukcijos modelius, ji atsiranda, kai šaltas oras pro apatinės oro įleidimo angas patenka į tuščias kameras šonuose, smarkiai įkaista, kyla ir pro viršutinės oro išleidimo angas patenka atgal į patalpą.



Dalys:

1. Degimo kameros durelės
2. Stiklinis skydelis
3. Durelių rankenėlė
4. Dujų išleidimo vamzdis
5. Viršutinė oro nukreipimo plokštė
6. Degimo kameros gaubtas
7. Grotelių laikiklis
8. Peleninė
9. Skyrius arba tai
10. Antrinis oro valdiklis
11. Grotelės
12. Pagrindinis oro valdiklis
13. Nuo spinduliuotės sauganti plokštė
14. Kuro saugykla

Matmenys ir svoris:

- Aukštis 1038 mm
- Plotis 542 mm
- Gylis (be rankenėlės) 365 mm
- Svoris 110 kg
- Vamzdžio skersmuo 150 mm

Bendrosios pastabos, saugos pastabos

Būtina laikytis nacionalinių ir Europos normų, vietinių ir statybos nuostatų bei priešgaisrinės saugos tarnybos nurodymų. Norėdami įrengti krosnelę, turite laikytis priešgaisrinės saugos tarnybos nuostatų ir nacionalinių reglamentų, privalomų vietoje, kurioje ją įrengiate, taip pat turite pasikonsultuoti su vietiniu kaminkrėčiu ar kaminių specialistu. Jis taip pat patikrins, ar įtaisas tinkamai prijungtas prie kamino.

Prieš įrengdami patikrinkite, kad pagrindas gali išlaikyti krosnelę. Jei jo atsparumas nepakankamas, būtina imtis tinkamų priemonių reikiamam atsparumui pasiekti (pvz., naudoti apkrovą paskirstančią plokštę).

Atlikti visi teisiškai privalomi krosnelės bandymai. Ji atitinka konkrečias nurodytas šildymo efektyvumo ir dūmų sklaidimo vertes.

Šioje instrukcijoje aprašyta krosnelė yra 1 tipo (BA 1) konstrukcijos ir buvo patikrinta pagal standartus DIN 18891 („Krosnys su kaminais, skirtos kietajam kurui“) bei EN 13240. 1 tipo konstrukcijos (žr. tipo plokštę) krosnelės galima jungti prie daugelio jungčių kamino, jei kamino matmenys tai leidžia, remiantis EN 13384 arba 13384-2. Krosnelė yra lėto degimo židiny.

1 tipo konstrukcijos krosnelių pakuros durelių uždarymo spyruoklių negalima nuimti, jei šio tipo įtaisas prijungtas prie daugelio jungčių kamino. 1 tipo konstrukcijos klasifikacija atlikta remiantis automatiškai uždarančiomis pakuros durelėmis. Pakuros dureles galima atidaryti tik dedant kurą ar šalinant pelenus. Kitais atvejais jas reikia laikyti uždarytas, net kai krosnelė nenaudojama, kad nebūtų daroma

įtaka kitiems židiniams ir taip išvengiama susijusių pavojų.

Reikia užtikrinti pakankamą gryno oro tiekimą į patalpą, kurioje naudojama krosnelė. Negalima pernelyg sandariai uždaryti patalpos langų ir durų, kad būtų užtikrintas pakankamas oro tiekimas degimui. Net jei bute ar kitose sujungtose patalpose naudojamos vėdinimo sistemos (vonios ventilatorius, gartraukis virtuvėje ir pan.), krosnelę turi pasiekti minimalus reikiamas oro kiekis.

Dėmesio! Negalima krosnelės naudoti kartu su valdomomis oro kondicionavimo sistemomis.

Krosnelės veikimas saugus, jei sistema tiesiog užtikrina oro cirkuliaciją kambaryje arba jei joje yra saugos sistemos, kurios automatiškai ir patikimai apsaugo nuo pernelyg mažo slėgio patalpoje. Pasikonsultuokite su kaminkrėčiu arba šildymo sistemų specialistu, kad užtikrintumėte, kad yra degimui pakankamas oro tiekimas.

Deginant kurą išlaisvinama šiluminė energija, todėl smarkiai įkaista šildymo įtaiso paviršiai (durelės, durelių ir valdymo rankenėlės, langeliai, šoniniai skydeliai, priekinis skydelis, dūmtakis). Nelieskite šių dalių, jei nedėvite tinkamų karščiui atsparių pirštinių. Kurstydami krosnelę nedėvėkite plačių ar lengvai užsiliepsnojančių rūbų! Pasirūpinkite, kad vaikai žinotų apie šiuos pavojus ir neleiskite jiems artintis prie degančios krosnelės.

Jei naudojamas netinkamas rūšies ar pernelyg drėgnas kuras, nuosėdos kamine gali užsiliepsnoti. Uždarykite visas krosnelės oro įleidimo angas ir praneškite priešgaisrinei tarnybai. Ugniai kamine baigus degti pasirūpinkite, kad specialistas patikrintų kamina, ar nėra įskilimų ar nesandarumų.

Krosnelės įrengimas ir prijungimas prie kamino

Jūsų naujosios krosnelės pakuotė skirta užtikrinti geriausią apsaugą nuo pažeidimų. Tačiau transportuojant krosnelę ar jos priedai gali būti pažeisti. Išpakavę patikrinkite, ar krosnelė nepažeista, ir įsitikinkite, kad yra visos dalys. Jei yra pažeidimų arba trūksta dalių, nedelsiant praneškite krosnelės pardavėjui!

Pastaba: laisvos arba iš tvirtinimų išslydusios pertvarų plokštelės ar pan. nelaikoma gedimais (žr. skyrių „Pirmasis krosnelės naudojimas“).

Didžioji dalis krosnelės pakuotės nekenkia aplinkai. Pakuotės medienos paviršius neapdorotas, ją galima supjaustyti ir naudoti šildymui. Kartoną ir apvalkalus galima lengvai perdirbti vietiniuose perdirbimo centruose.

Jei krosnelė yra su automatiškai užsidarančiomis pakuros durelėmis, galima ją jungti prie kamino, prie kurio jau prijungtos kitos krosnelės ar židiniai, jei, remiantis standartu EN 13384 arba 13384-2, kamino matmenys tam pakankami.

Jei kelis židinius naudojate vienoje patalpoje arba prijungę prie vieno dūmtakio, užtikrinkite, kad yra degimui pakankamas oro tiekimas.

Kaminą prijungti reikia dūmtakiu iš 2 mm storio plieninės skardos. Dūmtakį reikia patikimai ir sandariai pritvirtinti ir prie dūmtakio dujų lizdo, ir prie kamino.

Šis patikimas ir sandarus prijungimas itin svarbus jungiant dūmtakio elementus tarpusavyje. Būtina užtikrinti, kad dūmtakis neįeina į laisvą kamino skerspjūvį.

Rekomenduojame įvesti jį į kaminą naudojant mūrinius įdėklus.

Naudojant pailgintą dūmtakio dujų vamzdyną, reikia vengti horizontalių atkarpų ir susiaurėjimų. Rekomenduojamas link kamino kylantis vamzdynas. Jei kamino trauka silpna, rekomenduojame prijungti krosnelę bent 1 m ilgio vertikaliu vamzdžiu.

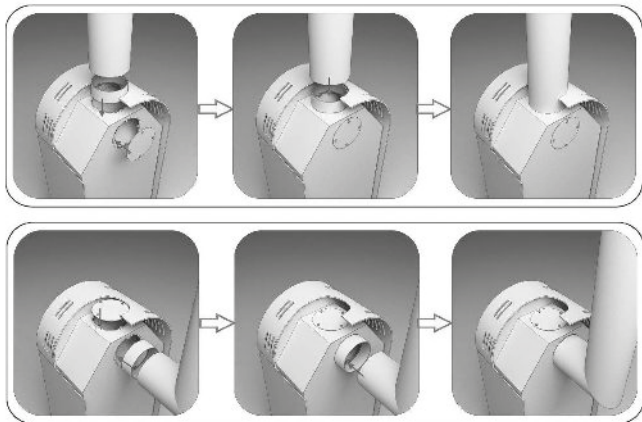
Apskritai jungiant dūmtakius būtina paisyti teisingų reikalavimų. Pvz., jungiant prie kamino, esančio virš viršutinės dūmtakio jungties, nuo dūmtakio iki degių konstrukcijos elementų reikia palikti 40 cm tarpą. Šį minimalų atstumą galima sumažinti iki 10 cm, jei dūmtakyje įrengta bent 2 cm storio nedegi izoliacija. Tinkamą dūmtakio prijungimą visuomet turi patikrinti vietinis kaminkrėtyš arba šildymo sistemų specialistas.

Saugos atstumai (minimalūs atstumai):

Įrengiant kaminą būtina laikytis valdžios nustatytų priešgaisrinės saugos nuostatų. Šiuo klausimu pasitarkite su vietiniu kaminkrėčiu ar šildymo sistemų specialistu.

Reikia laikytis nurodytų minimalių atstumų iki degių ar temperatūrai jautrių medžiagų (pvz., baldų, tapetų, medžio apdailos), kaip nurodyta toliau.

Jei grindų danga degi ar jautri temperatūrai, įtaisą reikia statyti ant nedegios (pvz., plieninės ar stiklinės) grindų apsaugos plokštės. Grindų apsaugos plokštę (pagrindo plokštę ar apsaugą) galite išsirinkti iš jūsų prekybos atstovo siūlomų priedų asortimento.



Minimalus atstumas iki degių dalių:

A. Gale 40 cm

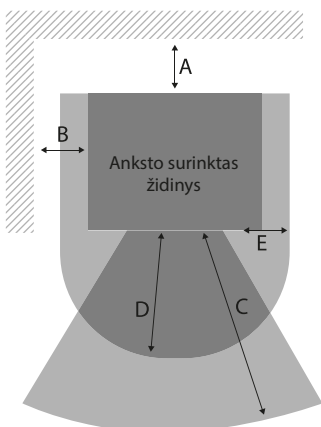
B. Šonuose 34 cm

C. Stiklinio skydelio šiluminės spinduliuotės sritis 80 cm

Minimalus atstumas iki apsauginės plokštės krašto (ant temperatūrai jautrios grindų dangos):

D. Stiklinio skydelio šiluminės spinduliuotės sritis 50 cm

E. Vidinė degimo kameros sienelė 30 cm



Krosnelės naudojimas

Krosnelę kurenti gali tik suaugę asmenys. Niekuomet nepalikite neprižiūrimų vaikų netoli krosnelės (ir ilgam nepalikite neprižiūrimos krosnelės). Krosnelę galima naudoti tik pagal šią naudojimo instrukciją. Atkreipkite dėmesį į saugos pastabas, pateiktas skyriuje „Bendrosios pastabos, saugos pastabos“

Leidžiamas kuras

Krosnelė yra lėto degimo židynys.

Krosnei tinka mažai dūmų išskiriantis kuras.

Leidžiamas kuras yra skaldytos 30 cm ilgio ir 10 cm skersmens malkos bei anglies briketai.

Galima naudoti tik ore išdžiovinatas skaldytas malkas, 20 proc. neviršijantis vandens kiekis pasiekiamas minkštą medieną džiovinant bent vienerius metus, o kietą – bent dvejus.

Dėmesio! Medis nėra lėtai degantis kuras, todėl negalima naudoti krosnelės šildymui per naktį. Dėmesio: niekuomet nenaudokite šildymui atliekų, pvz., tapetų, faneros atliekų, plastiko ar apdorotos medienos!

Atkreipkite dėmesį į nacionalines nuostatas.

Degimo oro reguliatoriaus nustatymas

Laikykitės šių rekomenduojamų nuostatų, taip užtikrindami, kad maksimaliai išnaudojama kuro šiluminė energija, taupomas kuras ir tausojama aplinka.

Pirmasis krosnelės naudojimas

Prieš pirmą kartą naudodami krosnelę, pašalinkite visus lipdukus ir iš pelenų padėklo ir pakuros išimkite visus priedus, įskaitant naudotus transportavimo apsaugos mechanizmus. Modeliams su keramikos pluošto ar vermikulito pertvarų plokštelėmis patikrinkite, ar plokštelės yra laikikliuose (transportuojant ar įrengiant krosnelę jos galėjo išslysti iš vietos). Tokiu atveju reikia jas pakabinti į vietą (žr. duomenų lapą).

Jei krosnelė yra su keramikos ar akmeninėmis plokštelėmis, įdėkite jas į šildymo skyrių. Keramines ar akmenines plokšteles reikia nušluostyti sausa šluoste.

Pirmą kartą užkūrę krosnelę kruopščiai sudėkite kurą ir „įdeginkite“ ją, kūrendami nedidele liepsna. Visos medžiagos turi lėtai prisitaikyti prie didėjančio karščio.

Atsargiai šildant išvengiama izoliacijos akmenų skilinėjimo, dažų pažeidimų ar medžiagų deformacijos. Neįmanoma išvengti kvapų, atsirandančių džiūvant apsauginiam dažų sluoksniui, tačiau netrukus jie išsisklaidys. Kaitindami pasirūpinkite, kad patalpa būtų gerai vėdinama

Naudokite galinį oro išleidimo lizdą (yra ne visuose modeliuose)

Kai kurių modelių krosnelės galima prijungti prie kamino gale esančiu oro išleidimo lizdu. Atitinkamos instrukcijos prie šių modelių pridedamos atskirai.

Jei reikia, galite jas užsakyti iš krosnelės pardavėjo.

Uždegimas ir šildymas

Pirmiausiai padėkite 2 ar 3 skaldytas malkas (maždaug 1,5–2,0 kg) ant pakuros dugno ar grotelių. Ant šių malkų padėkite nepadengto popieriaus, kartono ar pakuros tablečių, po to įdėkite žabu, nedidelių malkų ar briketo gabaliukų. Visos oro sklendės turi būti maksimaliai atidarytos. Uždegę uždarykite pakuros dureles. Nepamirškite, kad visas krosnelės korpusas ir oro tiekimo sklendės labai įkais! Visuomet naudokite tinkamas pirštines!

Kuro papildymas

Lango svarumas labai priklauso ne tik nuo tinkamo kuro ir pakankamos kamino traukos, bet ir nuo to, kaip naudojama krosnelė. Todėl rekomenduojame dėti kurą vienu sluoksniu ir naudoti kuo didesnius gabalus (apie 30 cm), kad užpildytumėte visą pakuros plotį. Briketus reikia dėlioti pakuroje taip, kad jie sudarytų sluoksnį (paliekant tarp briketų 5–10 mm tarpus).

Dėmesio! Daugiau kuro galima dėti tik ant žarijų (nebelikus liepsnos).

Prieš atidarydami pakuros dureles iki galo uždarykite visas oro sklendes, kad dūmai iš degimo kameros nepatektų į patalpą. Įdėję kuro vėl uždarykite pakuros dureles. Tuomet nedelsdami iki galo atidarykite visas oro sklendes, kad kaip galima sutrumpintumėte laiką, reikiamą kurui įsidegti. Kai tik kuras ims gerai degti, lėtai vėl nustatykite nuostatas (kūrendami skaldytas malkas, pirma uždarykite pagrindinę oro sklendę I). Jei naudojamas netinkamos rūšies ar pernelyg drėgnas kuras, nuosėdos kamine gali užsiliepsnoti. Tokiu atveju uždarykite visas oro įleidimo angas ir praneškite priešgaisrinei tarnybai. Ugniai kamine baigus degti pasirūpinkite, kad specialistas patikrintų kaminą, ar nėra įskilimų ar nesandarumų. Niekuomet negesinkite ugnies ar anglių vandeniu! Galite sugadinti krosnelę, ypač stiklą!

Kuras: skaldytos malkos

Maksimali talpa: 2 malkos (1,5–2,0 kg) arba 1 medžio briketas (1,5 kg)

Pagrindinis oro valdiklis: atidaryti 10 minčių (MAKS.), po to uždaryti (MIN.)

Antrinis oro valdiklis (prie durelių): atidarytas 1/2

Kuras: medžio anglies briketai

Maksimali talpa: 2–3 briketai (1,5–2,0 kg)

Pagrindinis oro valdiklis: atidarytas 1/3

Antrinis oro valdiklis (prie durelių): atidarytas 1/3

Naudojimas pereinamojo sezono metu

Pereinamojo sezono metu arba kai pakyla temperatūra lauke, dėl staigaus temperatūros padidėjimo tam tikromis sąlygomis gali kilti problemų dėl kamino traukos (krosnelės traukos), todėl dėmai nebus iki galo ištraukiami. Todėl pereinamuoju sezonu krosnį reikia kūrėti dedant labai nedaug kuro, kad būtų galima pagerinti degimą ir trauką atidarant oro sklendes. Tokiu atveju kuras greičiau sudega su liepsna ir stabilizuoja kamino trauką. Kad anglys nesukeltų pasipriešinimo, reikia dažnai šalinti pelenus.

Pelenų šalinimas

Po ilgo kūrenimo ir bent kartą per dieną reikia žarstekliu prastumti pelenus pro grotelės ant pelenų padėklo ir jį ištuštinti. Geriausiai tai daryti ryte, po šildymo per naktį, kai anglys ir krosnelė palyginti šaltos. Būtinai ištuštinkite pelenų padėklą, kai jis prisipildo maždaug iki pusės, kad užtikrintumėte, jog pelenų krūva nepriartės prie grotelių. Jei grotelės užpildytos pelenais, jos gali perkaisti ir būti pažeistos, nes oras negalės jų pasiekti ir aušinti.

Pelenų sankaupas po oro nukreipimo pertvaromis geriausia pašalinti tinkamu pelenų siurbliu. Kai kuriems modeliams norint tai padaryti reikia pastumti viršutinę oro nukreipimo pertvarą į priekį. Baigus valyti ją visuomet reikia pastumti atgal į pradinę padėtį prie galinės krosnelės sienelės. Modeliams su keičiamais oro išleidimo lizdais taip pat gali reikėti atidaryti uždarytas dūmtakių jungtis ir išvalyti krosnelę pro jas

Dėmesio:

prieš šalindami pelenus visuomet patikrinkite, ar pelenuose nėra likę žarijų. Net jei pelenai šalti, juose gali būti likę žarijų, kurios gali sukelti gaisrą šiukšladiėžėje. Medienos pelenus galima naudoti kaip trąšas.

Emisijų apribojimai

Krosnelė skirta deginti mažai dūmų išskiriantį kurą. Pagal ES emisijas reglamentuojančius teisės aktus, negalima deginti šių dalykų:

- drėgnos medienos arba medienos, padengtos apsauginiu sluoksniu,
- smulkintos medienos,
- popieriaus ir kartono (išskyrus uždegimą),
- žievės ar faneros atliekų,
- plastiko ar kitų atliekų.

Degindami šias medžiagas ne tik kenkiate aplinkai, bet ir sutrumpėja jūsų krosnelės eksploatacijos trukmė, taip pat galite sugadinti kaminą. Reguliariai valant ir prižiūrint krosnelę tarša sumažėja. Žinoma, galima deginti žievę, esančią ant skaldytų malkų.

Valymas ir priežiūra

Bent kartą per metus, o jei reikia – dažniau, išvalykite krosnelę ir atlikite jos techninę priežiūrą, kol ji šalta. Pašalinkite pelenų sankaupas dūmtakyje ir ant dūmų bei oro nukreipimo plokščių. Oro nukreipimo plokštes, pagamintas iš keramikos pluošto ar vermikulito, galima išimti, kad būtų lengviau jas nuvalyti. Nuvalę rūpestingai įstatykite jas atgal į tą pačią vietą. Pelenų siurblys su smulkių dalelių filtru itin gerai tinka dūmtakiams valyti. Nešvarumus nuo lango geriausiai nuvalyti labiausiai aplinką tausojančiu būdu – vandeniu sudrėkinta padėklo valymo šluoste, pamirkyta pelenuose ar įprastame buitiniame stiklo valiklyje. Taip pat kaminkrėtys turi reguliariai valyti kaminą. Kaminkrėtys informuos jus apie reikiamus valymo intervalus. Kartą per metus krosnelę turi patikrinti specialistas.

Jei dūmtakiai nuimami valyti, tinkamą dūmtakio prijungimą prie kamino sistemos turi patikrinti vietinis kaminkrėtys arba šildymo sistemų specialistas.

Trikty, priežastys

Krosnelė prastai šyla arba rūksta, jei:

Pasirinkta krosnelė per maža pagal patalpos dydį ar konstrukciją.
- Pasirinkite tinkamo dydžio krosnelę.

Krosnelė arba dūmtakis padengti suodžiais.
- Reguliariai valykite krosnelę ir dūmtakius.

Krosnelės sujungimas su kaminu nesandarus.
- Patikrinkite jungtį ir užsandarinkite.

Krosnelė kūrenama netinkamu kuru.
- Naudokite instrukcijoje nurodytą kurą.

Krosnelė netinkamai prijungta arba perkrautas kaminas.
- Pasitarkite su vietiniu kaminkrėčiu ar šildymo sistemų specialistu.

Iš išorės tiekama nepakankamai oro.
- Dažniau vėdinkite patalpą ar net pašalinkite langų sandariklius

Šalinimas

Įtaiso šalinimas

Šio įtaiso negalima išmesti su buitinėmis atliekomis! Pasirūpinkite, kad jis būtų šalinamas profesionaliai. Informacijos galite gauti iš atitinkamų atliekų šalinimo įstaigų.

Pakuotės šalinimas

Pakuotę sudaro kartonas ir pažymėtas plastikas, kuriuos galima perdirbti.
– Nugabenkite šias medžiagas į perdirbimo centrą.

Garantija

Pardavėjas prisiima garantinius įsipareigojimus dėl šio įtaiso, visiškai laikydamasis atitinkamų nacionalinių teisės reikalavimų (toliau vadinamų „nacionaliniais teisės reikalavimais“), kurie taikomi pirkimo-pardavimo sutarčiai, sudarytai tarp pardavėjo ir pirkėjo (toliau vadinamai „pirkimo-pardavimo sutartimi“).

Privalomi nacionaliniai teisės reikalavimai visuomet turi pirmumą prieš šioje naudojimo instrukcijoje nurodytas sąlygas.

Jei ši naudojimo instrukcija neprieštaruja nacionaliniams teisės reikalavimams arba jei nacionaliniai teisės reikalavimai nenurodo kitaip, pirkimo-pardavimo sutarčiai taikomos šios nuostatos:

Bendro i dalis

Pardavėjas suteikia šiam įtaisui 1 metų garantiją pagal garantines rekomendacijas, išimtį sudaro fizinio plėtimosi skleidžiami garsai ir dalys, kurios tiesiogiai kontaktuoja su ugnimi, šamotinis molis, stiklas, sandarikliai ir eksploatacinės medžiagos. Garantijos terminas prasideda nuo pristatymo dienos. Sąskaita-faktūra yra pirkimą patvirtinantis dokumentas.

Garantijos rekomendacijos

1. Pardavėjas suteikia garantiją 1 metų laikotarpiui nuo pristatymo galutiniam naudotojui dėl:

- 1a) geriausių medžiagos savybių, atitinkančių paskirtį ir gamybos reikalavimus,
- 1b) tinkamos konstrukcijos,
- 1c) nominalaus šildymo našumo (vatais) palaikymo pagal standartus EN 13240 ir patalpos šildymo pajėgumo pagal standartą DIN 18893 (žr. įtaiso tipo plokštelę, techninius duomenis). Garantija dėl 1) ir 2) užtikrina nemokamą įtaiso ar dalių, dėl kurių pateiktos pretenzijos, taisymą. Pretenzija dėl nemokamo pakeitimo gali būti teikiama tik dalims, kurios pasižymi medžiagų ar pagaminimo broku. Kitos pretenzijos atmetamos.

2. Gamintojas nesuteikia garantijos dėl įtaiso ar jo dalių pažeidimų ar trikčių, sukeltų:

- 2a) išorinių, cheminių ar fizinių efektų transportuojant, saugant, įrengiant ir naudojant įtaisą (pvz., ant jo patekus vandens, išsiliejus maistui, atsiradus kondensacijai, perkaitus dėl netinkamo naudojimo, pvz., atidarius pelenų skyriaus dureles), atsiradus emaliuotų dalių įtrūkimams, kurie nėra netinkamos kokybės požymis,
- 2b) netinkamai pasirinkus krosnelės dydį,
- 2c) nesilaikant atitinkamų galiojančių statybos nuostatų,
- 2d) klaidų įrengiant ir prijungiant įtaisą,
- 2e) nepakankamos ar per stiprios kamino traukos,
- 2f) neprofesionaliai atliktos techninės priežiūros ar kitų darbų, ypač vėlesnių židinio ar išmetimo vamzdžio (krosnelės dūmtakio ir kamino) pakeitimų,
- 2g) naudojant netinkamą kurą,
- 2h) netinkamo naudojimo, įtaiso perkrovimo (žr. gamintojo naudojimo instrukciją),
- 2i) geležinių, šamotinio molio ar stiklo dalių, tiesiogiai veikiamų liepsnos, nusidėvėjimo, tiek, kiek joms netaikoma garantija (1a),
- 2j) netinkamo naudojimo,
- 2k) nepakankamos priežiūros, netinkamų valiklių naudojimo.

Поздравляем вас с выбором изделия Mustang! Серия изделий для гриля Mustang разработана для приготовления вкусной еды. Серия изделий включает широкий выбор аксессуаров для гриля и приготовления еды. Вы можете ознакомиться со всем выбором по адресу www.mustang-grill.com или у ближайшего уполномоченного дистрибьютора.

Мы постоянно совершенствуем изделия Mustang и связанные с ними аксессуары. Для обеспечения качества в ходе разработки продукции мы уделяем особое внимание отзывам, посылаемым потребителями. Мы ждем ваших отзывов о наших изделиях по адресу mustang@mustang-grill.com.

Чтобы изделие было для вас максимально полезным, основательно ознакомьтесь с руководством пользователя. Регулярная чистка и обслуживание устройства позволяют продлить срок его эксплуатации и повысить безопасность. В ассортименте изделий Mustang вы также можете найти и чистящие средства и щетки, подходящие для чистки гриля.

Дополнительную информацию вы можете найти по адресу www.mustang-grill.com.

Готовый к использованию камин Basement

Внимательно прочтите настоящее руководство по эксплуатации. Данное руководство содержит информацию о работе печи и о том, как ею пользоваться — в частности, как увеличить КПД и срок службы устройства, а также о том, как соблюдение правил эксплуатации способствует экономии топлива и снижению загрязнения окружающей среды. Гарантия на все наши изделия даётся исключительно при условии соблюдения требований, содержащихся в настоящем руководстве по установке и эксплуатации. Сохраняйте настоящее руководство по эксплуатации вместе, чтобы в случае необходимости у вас был полный доступ к данной информации в начале каждого отопительного сезона.

Описание

Печи идеально подходят для обогрева жилых и рабочих помещений. Корпус печи выполнен из сварной стали.

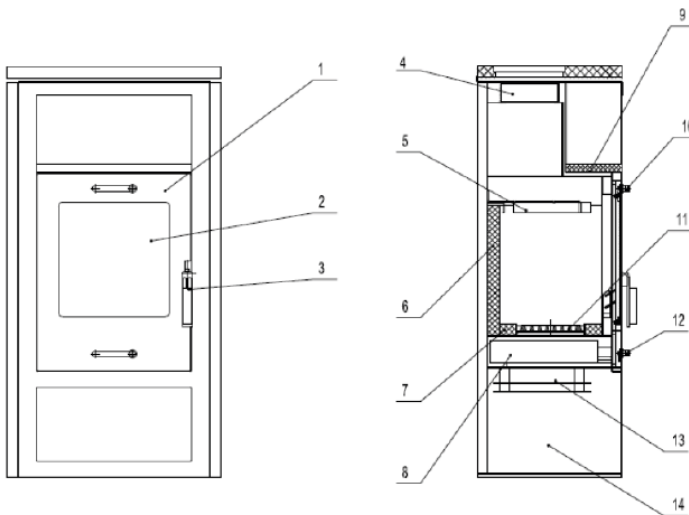
Нагрев воздуха в помещении и создание благоприятной температуры осуществляются за счёт излучаемого и конвекционного тепла. Таким образом вы сможете быстро нагревать холодные помещения, которые не отапливались в течение длительного времени.

Воздух из помещения входит в печь посредством основного и дополнительного воздухозаборников.

Воздух нагревается внутри печи и выходит наружу через дымоход, расположенный сверху. При этом верхняя часть печи сильно нагревается, и тёплый воздух распределяется по всему помещению.

Тепло также излучается дверцей топki в районе окошка, металлическими поверхностями печи, а также поверхностями боковых панелей, выполненными из керамических плит или природного камня (при наличии таковых).

Конвекционное тепло образуется преимущественно моделями с двойными стенками корпуса за счёт поступления холодного воздуха через нижние воздухозаборники в полые боковые стенки печи, где он значительно разогревается и вновь попадает в комнату через верхние вентиляционные отверстия.



Компоненты:

1. Дверца топливника
2. Стеклопанель
3. Дверная ручка
4. Разъём для подключения вытяжки
5. Верхний дефлектор
6. Стенка топливника
7. Подставка для решётки
8. Зольник
9. Ниша для чая
10. Дополнительный регулятор подачи воздуха
11. Решётка
12. Основной регулятор подачи воздуха
13. Термоизоляционная пластина
14. Отделение для хранения топлива

Размеры и вес:

Высота: 1038 мм
 Ширина: 542 мм
 Глубина (без ручки): 365 мм
 Вес: 110 кг
 Диаметр трубы: 150 мм

Общие указания и техника безопасности

Пользователь обязуется соблюдать отечественное и европейское законодательство, включая строительные нормативы и правила противопожарной безопасности. При установке печи следует убедиться, что соблюдены все обязательные требования техники противопожарной безопасности и выполнены все прочие нормативы, применимые к вашему региону. Также проконсультируйтесь с представителем местной службы по очистке труб или специалистом по отоплению (в числе прочего, в сферу их компетенции входит проверка подключения печи к вытяжной трубе).

Перед установкой убедитесь, что поверхность, на которую будет установлена печь, в состоянии выдержать её вес. В случае возникновения проблем с поверхностью, на которую планируется устанавливать печь, следует принять соответствующие меры (например, использовать подходящее по размеру основание из материала, позволяющего добиться лучшего распределения веса).

Ваша печь прошла все испытания, необходимые согласно законодательству. Соблюдены все нормативы, относящиеся к эффективности нагрева и контролю выброса продуктов горения.

Печи, описанные в настоящем руководстве, относятся к типу конструкции №1 (BA 1) и прошли испытания согласно стандарту DIN 18891 («Печи с дымоходами для твёрдых типов топлива») и EN 13240. Печи типа конструкции

№1 (см. таблицу с указанием типа) могут подключаться к дымовым трубам общего пользования, при условии, что размеры последних позволяют осуществить подобное подключение согласно стандарту EN 13384 или 13384-2. Данная печь принадлежит к категории каминов медленного горения.

Закрывающие пружины дверцы топki печей типа конструкции №1 не подлежат снятию при подключении подобного устройства к дымовой трубе общего пользования. Автоматически закрывающаяся дверца топki является отличительным признаком печей типа конструкции №1. Дверцу топki следует открывать только для того, чтобы добавить топливо или выгрести золу. Во всех прочих случаях дверца должна оставаться закрытой, даже если печь не используется — открытая дверца может стать причиной опасности, влияя на работу других печей.

В комнату, где установлена печь, должен поступать свежий воздух в достаточном количестве. Чтобы обеспечить достаточный для работы печи в штатном режиме приток воздуха, не следует слишком герметично запечатывать окна и двери. Даже при работе вентиляции в квартире или смежных помещениях (кухонные вытяжные колпаки, вытяжка в ванной комнате и т. п.) следует обеспечивать минимальный приток воздуха к печи.

Внимание! Не используйте печь параллельно с управляемыми системами кондиционирования воздуха.

Риск отсутствует в случае, если кондиционер просто перегоняет воздух, а также если система кондиционирования оборудована системой безопасно-

сти, предотвращающей перепад давления в помещении. Проконсультируйтесь с представителем местной службы по очистке труб или специалистом по отоплению, чтобы убедиться, что приток воздуха достаточен. В процессе сжигания топлива выделяется тепловая энергия, в результате чего печь может сильно нагреваться (дверца, ручки дверцы и регуляторов, окошки, боковые панели, передняя панель и дымоход). Не прикасайтесь к этим частям печи, если на вас нет подходящих теплоизолирующих перчаток! При проведении действий, связанных с розжигом печи и поддержанием в ней огня, следует избегать ношения чересчур свободной либо легковоспламеняющейся одежды! Убедитесь, что дети осведомлены о возможных рисках и держите их подальше от разожжённой печи. Если используемое топливо неподходящего типа или слишком сырое, сажа в дымовой трубе может загореться. В этом случае следует перекрыть подачу воздуха в печь и вызвать службу пожарной охраны. После того, как сажа в дымовой трубе прогорит, труба подлежит осмотру специалистом на предмет трещин и утечек.

Установка печи и подключение её к дымовой трубе

Упаковка вашей новой печи спроектирована таким образом, чтобы предоставлять оптимальную защиту от повреждений. Несмотря на это, существует определённый риск, что сама печь или идущие в комплекте аксессуары будут повреждены в процессе транспортировки. После распаковки печи убедитесь, что все компоненты в комплекте и что на них отсутствуют повреждения! Если деталей не хватает или если они повреждены, немедленно поставьте в известность продавца! Имейте в виду: Незакрепленные или выпавшие из креплений отражательные пластины и т. п. дефектами не считаются (см. главу «Что делать при первом использовании печи»).

Упаковочный материал вашей печи является по большей части экологически безвредным. Древесные планки, входящие в состав упаковки, ничем не обработаны и подходят для использования в качестве топлива. Картон и прочие упаковочные материалы можно сдать в любой центр утилизации вторсырья.

Печь с автоматически закрывающейся дверцей топки можно подключать к общей дымовой трубе вместе с другими печами и каминами (в случае, если это позволяют размеры дымовой трубы согласно стандартам EN 13384 или 13384-2).

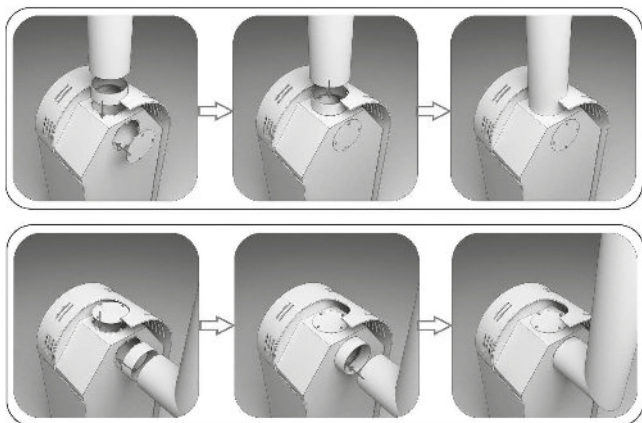
При использовании нескольких каминов в одном помещении или на одном подключении к дымовой трубе следует убедиться в том, что приток воздуха достаточен для работы печи в штатном режиме.

Для подключения к дымовой трубе следует использовать дымоход из листовой стали толщиной 2 мм. Подключение дымохода к соответствующему отверстию в печи и к дымовой трубе должно быть надёжным и хорошо изолированным. Эти требования являются обязательными для монтажа дымохода и соединения друг с другом его элементов. Крайне важно, чтобы труба дымохода не попадала в сечение дымовой трубы. Рекомендуем использовать специальный герметик для изоляции места подключения.

При использовании длинных дымоходов следует избегать горизонтальных элементов и сужений. Желательно, чтобы дымоход шёл к дымовой трубе вертикально. При недостаточной тяге в дымоходе рекомендуется использовать для подключения вертикальную трубу длиной не менее 1 метра.

В общем и целом, при подключении дымохода следует соблюдать все соответствующие правила и нормы. Например, при подключении дымохода к дымовой трубе, расположенной сверху, расстояние между дымоходом и воспламеняющимися материалами должно составлять не менее 40 см. Данный минимум может быть снижен до 10 см в случае, если дымоход покрыт слоем негорючей теплоизоляции толщиной не менее 2-х см.

В любом случае, при подключении дымохода к дымовой трубе следует проконсультироваться с представителем местной службы по очистке труб или специалистом по отоплению.



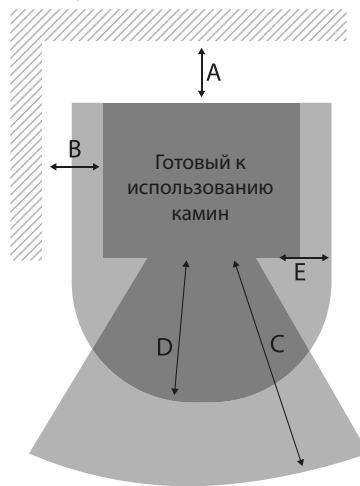
Безопасные (минимальные) расстояния

При сооружении дымовых труб следует неукоснительно соблюдать все предписания техники противопожарной безопасности. Проконсультируйтесь по этому поводу с представителем местной службы по очистке труб или специалистом по отоплению.

Обязательно для соблюдения также требования по минимальному расстоянию до воспламеняющихся или чувствительных к теплу материалов (как, например, мебель, обои и деревянная обшивка), а также до несущих стен. Если покрытие пола изготовлено из воспламеняющихся или чувствительных к нагреву материалов, печь следует располагать на огнезащитной плите из такого материала, как сталь или стекло. Огнезащитные плиты, устанавливаемые под печь или вокруг печи, обычно входят в ассортимент аксессуаров, предлагаемых розничными распространителями печей. Информацию по минимальным размерам и безопасным расстояниям можно найти в паспорте соответствующей модели.

Минимальное расстояние до воспламеняющихся материалов:

- A. сзади 40 см
- B. со стороны 34 см
- C. Радиус излучения тепла стеклянной панелью: 80 см
- Минимальное расстояние до края предохранительной пластины (если пол чувствителен к температуре):
- D. Радиус излучения тепла стеклянной панелью: 50 см
- E. До внутренней стенки топливника: 30 см



Эксплуатация печи

Пользоваться печью могут только взрослые. Никогда не оставляйте детей рядом с печью без присмотра (также не следует надолго оставлять без присмотра саму печь). Пользоваться печью можно только при выполнении требований настоящего руководства по эксплуатации. Соблюдайте правила техники безопасности, изложенные в главе «Общие указания и техника безопасности».

Пригодные виды топлива

Данная печь принадлежит к категории каминов медленного горения. В печи следует использовать исключительно виды топлива с низким дымо-выделением.

Пригодные виды топлива включают в себя колотые дрова длиной 30 и диаметром 10 см, а также брикеты из бурого угля.

Можно использовать только высохшие на воздухе поленья с максимальным содержанием влаги в 20% (мягкие породы древесины для этого следует сушить в течение как минимум одного года; твёрдые — от двух лет).

Внимание! Дрова не принадлежат к разряду топлива медленного горения, поэтому оставить печь растопленной на всю ночь не получится. Внимание: Никогда не используйте для отопления мусор — обои, обрезки фанеры, пластик, а также обработанную древесину!

Учитывайте правила и нормы, действительные для вашего региона.

Как пользоваться регулятором тяги воздуха

Соблюдайте рекомендации, содержащиеся в паспорте, для оптимизации теплоотдачи, экономии топлива и минимизации загрязнения окружающей среды.

Что делать при первом использовании печи

Перед первым использованием печи следует удалить с её поверхности все наклейки и извлечь все аксессуары из топки или зольника. Это же относится ко всем защитным приспособлениям для транспортировки. Если ваша модель оборудована отражателями из керамики или вермикулита, убедитесь, что все они надёжно сидят в своих креплениях (они могут выпадать при транспортировке или установке печи). Если отражатели выпали, установите их на место.

Если печь оборудована камнями или керамическими плитками, расположите их в нагреваемой камере. Камни и керамические плитки следует перед использованием протереть сухой тряпкой.

При первом розжиге печи следует как можно аккуратнее расположить топливо, а затем дать ему «прогореть» на малом огне. Все материалы должны нагреваться медленно и равномерно. Аккуратный прогрев позволяет предотвратить возникновение трещин в изоляционных камнях и краске, а также деформацию материалов. В результате высушивания защитной краски неизбежно появление запаха, но это вскоре прекратится. При прогреве печи убедитесь, что помещение хорошо вентилируется.

Использование заднего подключения к дымоходу (доступно не для всех моделей)

Некоторые модели подключаются к дымоходу сзади и обладают соответствующим отверстием. К таким моделям прилагаются дополнительные инструкции. При необходимости их можно получить у розничного распространителя.

Растопка и нагрев

Сначала разместите 2 или 3 расколотых полена (от 1,5 до 2 кг дров) внизу топки или на решётке. Сверху положите необработанную бумагу, картон или растопку, а затем добавляйте хворост, щепки или кусочки топливных брикетов. Все заслонки должны быть открыты до максимума. После розжига пламени дверцу топki следует закрыть. Заслонки воздухозаборников следует затем привести в положение, указанное в прилагаемом паспорте устройства. Имейте в виду, что весь корпус печи сильно нагревается — это относится и к регуляторам заслонок воздухозаборников! Выполняйте все действия с горячей печью в специальных перчатках!

Как добавлять топливо

Чистота окошка зависит не только от применения подходящих видов топлива и достаточной тяги в дымоходе, но также и от способа использования печи. Мы рекомендуем закладывать топливо в один слой и использовать куски побольше (около 30 см) для заполнения всей площади топki. Брикеты следует помещать в топку таким образом, чтобы они создавали ровный слой (зазор между соседними брикетами должен составлять от 5 до 10 мм). Внимание! Новую порцию топлива следует помещать на слой горячих углей, когда пламени уже не видно.

Прежде чем открыть дверцу топki, приведите все регуляторы воздуха в закрытое положение (см. паспорт), чтобы дым из топki не проникал в жилое помещение. После добавления новой порции топлива дверцу топki следует закрыть. Сразу же после этого следует до предела открыть все регуляторы, чтобы новая порция топлива загорелась как можно быстрее. Как только пламя разгорится, медленно приведите регулятор в положение, рекомендуемое прилагаемым паспортом (при использовании колотых дров следует сначала закрыть основную заслонку воздуховода I). Если используемое топливо неподходящего типа или слишком сырое, сажа в дымовой трубе может загореться. В данном случае следует перекрыть подачу воздуха в печь и вызвать службу пожарной охраны. После того, как сажа в дымовой трубе прогорит, труба подлежит осмотру специалистом на предмет трещин и утечек. Никогда не используйте воду для гашения печи или углей! Помимо всего прочего, вы можете нанести повреждения печи — в частности, стеклу!

Подходящее топливо: Колотые дрова

Макс. ёмкость: 2 полена (1,5–2,0 кг) или 1 древесный брикет (1,5 кг)
Основной регулятор подачи воздуха: открыть на 10 минут (МАКС.), затем закрыть (МИН.)
Дополнительный регулятор подачи воздуха (у дверцы): открыт на 1/2

Подходящее топливо: Брикеты из бурого угля

Макс. ёмкость: 2–3 брикета (1,5–2,0 кг)
Основной регулятор подачи воздуха: открыт на 1/3
Дополнительный регулятор подачи воздуха (у дверцы): открыт на 1/3

Эксплуатация в межсезонье

В межсезонный период (или когда снаружи теплее, чем обычно), резкие подъёмы температуры могут, при определённых обстоятельствах, привести к проблемам с тягой в печи или в дымоходе, за счёт чего из печи будет вытягиваться не весь дым. Поэтому во время межсезонного периода следует разжигать печь с минимальным количеством топлива, чтобы можно было открывать заслонки воздухозаборников и улучшать тягу и горение. Топливо быстрее прогорает, образуя больше пламени, что стабилизирует тягу в дымовой трубе. Чтобы прогоревшее топливо не мешало тяге, следует регулярно избавляться от пепла.

Как избавляться от пепла

После длительной эксплуатации печи (и не реже раза в день) следует сбрасывать пепел в зольник сквозь решётку при помощи кочерги, а затем опорожнять зольник. Лучше всего делать это с утра, когда угли прогорели за ночь и печь относительно холодная. Опорожняйте зольник, когда он наполняется примерно наполовину, чтобы гряда пепла не приближалась к решётке. Если пепел перекрывает доступ воздуха к решётке, она может перегреться и деформироваться, не охлаждаясь воздухом. Пепел, скапливающийся под отражателями воздуха, лучше всего убирать при помощи специализированного пылесоса для пепла. В ряде моделей для этого следует вытолкнуть верхний отражатель воздуха вперёд. Отражатель подлежит обязательному возврату в исходное положение на задней стенке печи по окончании чистки. Если ваша модель оснащена съёмными

дымоходами, вам, возможно, потребуется снять съёмную часть для чистки прилегающей части печ

Внимание:

Перед опорожнением зольника убедитесь, что в золе не осталось тлеющих угольков. Даже если зола холодная, она может содержать тлеющие угольки, способные стать причиной пожара в мусорном баке. Древесную золу также можно использовать в качестве удобрения.

Ограничения на выброс вредных веществ в атмосферу

Печь рассчитана на использование топлива с низким дымовыделением. Законодательство ЕС, регулирующее выбросы вредных веществ в атмосферу, запрещает сжигание в печах таких материалов, как:

- сырая или прошедшая химическую обработку древесина;
- древесные опилки;
- бумага и картон (их можно использовать только для растопки);
- куски древесной коры и отходы фанерного производства;
- пластиковые и прочие отходы.

Помимо загрязнения окружающей среды, сжигание подобных материалов также сокращает срок службы вашей печи и может привести к повреждению дымохода. Регулярная чистка печи и уход за ней позволяют снизить выброс вредных веществ в атмосферу. Естественно, колотые дрова можно сжигать вместе с корой.

Чистка и уход за изделием

Чистку и уход за изделием следует осуществлять не реже раза в год — при необходимости и чаще. Печь при этом должна быть холодной. Убирайте пепел и сажу, скапливающиеся в дымоходе и на отражателях воздуха. Отражатели воздуха, изготовленные из керамического волокна или вермикулита, снимаются. Чистки их следует аккуратно вернуть в исходное положение. Для чистки дымоходов лучше всего подходит специализированный пылесос для пепла с фильтром для мелких частиц. Наиболее экологически оправданный способ удаления загрязнений с окошка — использование губки для сковородок с древесной золой или обычным бытовым средством для мытья стёкол.

Дымовую трубу должен регулярно чистить трубочист. Уполномоченный представитель службы по очистке труб уведомит вас о том, как часто следует проводить очистку. Печь должна ежегодно проверяться специалистом. Если для чистки дымохода его нужно разбирать, за правильным подключением печи к дымовой трубе должен проследить представитель местной службы по очистке труб или специалист по отоплению.

Дефекты работы и их возможные причины

Печь дымит или плохо разгорается:

Выбранная печь слишком мала для помещения данного размера или конфигурации.

- Выберите печь подходящего размера.

Печь или дымоход покрыты сажей.

- Заблаговременно проводите чистку печи и дымохода

Подключение печи к дымовой трубе не является герметичным.

- Проверьте подключение и обеспечьте герметичность.

В печи используется неподходящий тип топлива.

- Пользуйтесь тем топливом, которое рекомендуется в руководстве по эксплуатации.

Неправильно подключена печь или перегружена дымовая труба.

- Проконсультируйтесь с представителем местной службы по очистке труб или специалистом по отоплению.

Не хватает притока свежего воздуха с улицы.

- Чаще проветривайте помещение — возможно, вам также придётся распечатать окна.

Утилизация

Как утилизировать устройство

Данное устройство не подлежит утилизации вместе с бытовыми отходами! Его утилизацией должны заниматься специалисты. Информацию об утилизации можно получить в соответствующем ведомстве.

Как утилизировать упаковку

Упаковка включает в себя картон и пластик, которые подлежат переработки. — Данные материалы следует доставить в центр утилизации вторсырья.

Гарантия

Продавец обязуется дать полную гарантию на изделие в соответствии с действующим региональным законодательством (здесь и далее «Действующее региональное законодательство»), под которое подпадает сделка купли-продажи между продавцом и покупателем (далее «Сделка купли-продажи»). Обязательное к исполнению местное законодательство во всех случаях

обладает приоритетом над настоящим руководством.

В случае, если настоящее руководство не противоречит Действующему региональному законодательству, Сделка купли-продажи подпадает под нижеизложенные условия:

Общие положения

Продавец предлагает один год стандартную гарантию на данное изделие, которая не распространяется на звуки, издаваемые материалами при нагреве, а также на элементы, непосредственно соприкасающиеся с огнём, керамику, стекло, изоляцию и расходные материалы. Гарантия вступает в силу в день доставки. Доказательством покупки следует считать счёт-фактуру.

Условия гарантии

1. Продавцом покупателю на один год срок с момента доставки изделия гарантируется следующее:

1а) идеальное качество материалов и сборки, полностью соответствующее задачам изделия;

1b) правильная конструкция;

1с) обеспечение номинальной мощности теплоотдачи (в ваттах) согласно стандартам EN 13240 и обеспечение нагрева помещения согласно стандарту DIN 18893 (технические характеристики см. на табличке с типом устройства, а также в паспорте устройства и в каталогах). Пункты гарантии от 1) до 2) распространяются на бесплатный ремонт изделия или замену его компонентов. Бесплатной замене подлежат только компоненты, имеющие дефекты сборки или материала. Прочие претензии не рассматриваются.

2. Гарантия продавца не распространяется на какие-либо поломки изделия или его элементов, наступившие в результате:

2а) оставления следов (физической или химической природы) в результате транспортировки, хранения и использования устройства (повреждения от холодной воды, выкипающей пищи, конденсата, перегрева от нарушения режима эксплуатации — например, в результате оставшейся открытой дверцы зольника); при этом тончайшие трещинки в эмалированных элементах не являются дефектом;

2b) неправильного выбора размера печи;

2с) несоблюдения соответствующих строительных нормативов;

2d) неправильной установки и подключения изделия;

2е) недостаточной или чрезмерной тяги в дымоходе;

2f) непрофессионально выполненных действий по уходу и т. п. — в частности, последующие изменения конфигурации печи или вытяжной системы (дымохода и дымовой трубы);

2g) использования неподходящего топлива;

2h) эксплуатации в штатном режиме и чрезмерной загрузки устройство (см. руководство по эксплуатации от производителя);

2i) износа элементов, непосредственно соприкасающихся с пламенем и изготовленных из железа, керамики и стекла, на которые не распространяется гарантия согласно пункту (1а);

2j) неправильного обращения с устройством;

2k) недостаточного ухода или использования неподходящих моющих средств.