



MUSTANG

RING BURNER SET PREMIUM L



Assembly and operating instructions

EN

Asennus- ja käyttöohje

FI

Monterings- och bruksanvisning

SV

Monteringsanvisninger og bruksanvisning

NO

Samlings- og betjeningsinstruktioner

DA

Paigaldus- ja kasutusjuhend


ET

Lietošanas pamācība

LV

Naudotojo vadovas

LT

Technical information Tekniset tiedot Teknisk information Spesifikasjoner Tekniske data Tehniline teave Tehniskā informācija Techninė informacija	
Appliance code Laitteen koodi Produktkod Apparatkode Udstyrskode Seadme kood Ierīces kods Prietaiso kods	RB1128WP (643595)
	 2806DP0341 PIN 2531-24
Total heat input (all gas categories) Kokonaislämpöteho (kaikki kaasuluokat) Total effekt (alla gaskategorier) Total effekt (alle gasskategorier) Samlet udgangseffekt (alle gaskategorier) Summaarne küttevõimsus (kõik gaasiklassid) Kopējā siltuma ievade (visas gāzes kategorijas) Bendroji šiluminė įvestis (visų kategorijų dujos)	9 kW (655 g/h)
Gas category Kaasuluokka Gaskategori Gasskategor Gaskategori Gaasi klass Ierīces klase Prietaiso klasė	I3B/P(30)
Types of gas Kaasulajit Typer av gas Gasstype Gastyper Gaasi tüübid Gāzes veidi Dujų tipas	LPG gas mixtures Nestekaasuseokset Gasolblandningar Vedelgaasi segud Šķīdrie gāzu maisījumi Suskystintų dujų mišiniai
Gas pressure Kaasunpaine Gastryck Gasstrykk Gastryk Gaasi rõhk Gāzes spiediens Dujų slėgis	30 mbar /
Injector size, main burners A, side burner B, power burner C Suuttimen koko, pääpolttimet A, sivupoltin B, tehopoltin C Injektorstørlek, huvudbrännare A, sidobrännare B, power burner C Injektorstørrelse, hovedbrenner A, sidebrenner B, effektbrenner C Indsprøjtningssystemets størrelse, hovedblus A, sidebrænder B, power burner C Dūsi lābimōot, grillipōletil A, kōlgpōletil B, power burner C Sprauslas lielums, galvenie degļi A, sānu degļis B, power burner C Purkštuko dydis, pagrindiniai degikliai A, šoniniai degiklis B, power burner C	A: 1,08 mm B: 0,97 mm
Country of use Käyttömaa Användningsland Bruksland Anvendelseslande Kasutusriik Izmantošanas valsts Naudojimo šalis	LU, NL, DK, FI, SE, CY, CZ, EE, LT, MT, SK, SI, BG, IS, NO, TR, HR, RO, IT, HU
Info Informasjon Information Tootja Ražotājs Gamintojas	Tammer Brands Oy Viinikankatu 36, 33800 Tampere, Finland mustang-grill.com



MUSTANG

RING BURNER SET PREMIUM L

EN Assembly instructions

FI Kokoamisohjeet

SV Monteringsanvisningarna

NO Monteringsanvisning

DA Samlingsvejledning

ET Koostejuhised

LV Montāžas instrukciju

LT Surinkimo nurodymai

General assembly instructions

Before you begin assembly

Unload the sales package carefully and ensure that all parts are taken out of the package. Take care of the appropriate recycling of the packaging materials before assembling the grill.



Do not let small children play with the packaging materials.

Check that all parts required for assembly can be found and that they are in good condition. You can check the parts with the help of the list on page 8. If parts are missing or they are damaged, please contact the seller.

Study the assembly illustrations carefully and proceed with the assembly in the order presented in the instructions. Do not assemble the grill on decking boards since small parts may drop under the boards.

Some plate/steel parts may be sharp; wear work gloves during the assembly.



Do not use electric or battery-powered screwdrivers for the assembly. It may break the screws or surfaces. Tighten all the screws manually.

Yleiset kokoamisohjeet

Ennen asentamista

Pura myyntipaketti huolella ja varmista että kaikki osat on poistettua paketista. Huolehdi pakkausmateriaalin asianmukaisesta kierrätyksestä ennen grillin kokoamista.



Älä anna pienten lasten leikkiä pakkausmateriaaleilla.

Tarkista, että kaikki kokoamiseen tarvittavat osat löytyvät ja ovat kunnossa. Tarkistuksen voit suorittaa osaluettelon avulla sivulta 8. Jos jotain osia puuttuu tai osat ovat vahingoittuneet, ole yhteydessä myyjäliikkeeseen.

Tutustu kokoamiskuviin huolellisesti sekä etene kokoamisessa ohjeiden mukaisessa järjestyksessä. Älä kokoa grilliä terassilaudoituksen päällä, koska pienet osat voivat tippua terassilaudoituksen alle.

Jotkut pelti - / teräsosat voivat olla teräviä, joten käytä kokoamisessa työhanskoja.



Älä käytä kokoamiseen sähkö- tai akkukäyttöistä ruuvinväännintä. Se saattaa rikkoa ruuvit tai osien pinnat. Kiristä kaikki ruuvit käsin.

SV

Allmänna monteringsanvisningar

Innan montering

Montera försäljningspaketet noggrant och säkerställ att alla delar har tagits ur paketet. Se till att förpackningsmaterialet återvinnas regelrätt innan du monterar grillen.



Låt inte små barn leka med förpackningsmaterialet.

Kontrollera att alla delar som behövs för att montera grillen finns och är i gott skick. Kontrollen kan utföras med hjälp av komponentlistan på sidan 8. Om några delar fattas eller delarna är skadade, kontakta försäljarbutik.

Bekanta dig noggrant med monteringsbilder och montera grillen i samma ordning som i monteringsanvisningarna. Montera grillen inte på terrassens träpanel eftersom små komponenter kan trilla mellan plankor.

Vissa plåt- och ståldelar kan vara vassa så att använd arbetshandskar vid monteringen.



Använd inte el- eller batteridrivna skruvdragare i monteringen. Den kan skada skruvar eller delarnas ytor. Dra åt alla skruvar för hand.

NO

Generelle monteringsanvisninger

Før du starter monteringen

Pakk salgspakken forsiktig ut og sørg for at alle deler er tatt ut av pakken. Påse at du gjennomfører riktig resirkulering av emballasjematerialene før du monterer grillen.



Ikke la små barn leke med emballasjen.

Kontroller at alle deler som kreves for montering er tilstede og at de er i god stand. Du kan sjekke delene ved hjelp av listen på side 8. Hvis deler mangler eller de er skadet, ta kontakt med selgeren.

Studer monteringsillustrasjonene nøye og fortsett med monteringen i den rekkefølgen som vises i instruksjonene. Ikke monter grillen på terrassebord, siden små deler kan falle ned under plankene.

Noen plate-/ståldeler kan være skarpe; bruk arbeidshansker under montering.



Ikke bruk elektriske eller batteridrevne skrutrekker til monteringen, da de kan knekke skruene eller skade overflatene. Stram alle skruene manuelt.

Generel samlingsvejledning

Inden du begynder at samle produktet

Tag forsigtigt produktet ud af salgsemballagen, og sørg for at tage alle dele ud. Sørg for korrekt genanvendelse af emballagematerialerne, inden du samler grillen.



Lad ikke små børn lege med emballagematerialerne.

Kontrollér, at du har alle dele, du skal bruge til at samle produktet, og at de er i god stand. Du kan kontrollere delene ved hjælp af oversigten på side 8. Kontakt venligst forhandleren i tilfælde af manglende eller beskadigede dele.

Gennemgå samletegningerne omhyggeligt, og saml produktet i den rækkefølge, der er anført i vejledningen. Undlad at samle grillen på terrassebrædder, idet små dele kan falde ned under brædderne.

Nogle plade-/ståldele kan være skarpe. Bær handsker, når du samler produktet.



Brug ikke elektriske eller batteridrevne skruetrækkere til at samle produktet, da det kan ødelægge skruerne eller beskadige produktets overflade. Stram alle skruer med håndkraft.

Üldine koostejuhend

Enne kokkupanekut

Lõigake pakend hoolikalt lahti ja veenduge, et olete kõik osad välja võtnud. Hävitage pakend enne grilli kokkupanekut nõuetekohaselt.



Ärge lubage väikelastel pakkematerjaliga mängida.

Veenduge, et kõik kokkupanekuks vajalikud osad on olemas ja korras. Kasutage lk 8 osade loendi abi. Kui midagi on puudu või kahjustatud, pöörduge edasimüüja poole.

Tutvuge hoolikalt koostepiltidega ja pange grill ettenähtud järjekorras kokku. Ärge pange grilli kokku terrassilaudade peal, sest väiksed osad võivad laudade vahele kukkuda.

Osa plekk-/terasosi võivad olla teravad, nii et kandke grilli kokkupanekul töökindaid.



Ärge kasutage kokkupanekul elektri- või akutrelli. See võib rikkuda kruvid või detailide pinnad. Pinguldage kõik kruvid käsitsi.

Vispārējās montāžas instrukcijas

Pirms uzstādīšanas

Uzmanīgi attaisiet iepakojumu un pārlicinieties, ka visas detaļas ir izņemtas no iepakojuma. Pirms grila salikšanas, parūpējieties par iepakojuma materiāla atbilstošu pārstrādi.



Neļaujiet maziem bērniem spēlēties ar iepakojuma materiāliem.

Pārbaudiet, vai iepakojumā ir visas montāžai nepieciešamās detaļas un vai tās nav bojātas. Pārbaudi var veikt, izmantojot detaļu sarakstu 8 lappusē. Sazinieties ar izplatītāju, ja kādas detaļas trūkst vai tās ir bojātas.

Uzmanīgi iepazīstieties ar montāžas attēliem un turpiniet montāžu norādītajā secībā. Nemontējiet grilu uz terases dēļiem, jo mazas detaļas var nokrist zem terases.

Dažas lokšņu metāla / tērauda detaļas var būt asas, tāpēc montāžas laikā izmantojiet darba cimdus.



Neizmantojiet elektrisko vai ar akumulatoru darbināmu skrūvgriezi montāžai. Tas var salauzt skrūves vai detaļu virsmas. Pievelciet visas skrūves ar roku.

Bendrosios surinkimo instrukcijas

Prieš surinkimą

Rūpestingai išpakuokite prekę ir patikrinkite, ar iš pakuotės išėmėte visas dalis. Prieš kepsninės surinkimą tinkamai utilizuokite pakuotės medžiagą.



Neleiskite mažiems vaikams žaisti su pakuotės medžiagomis.

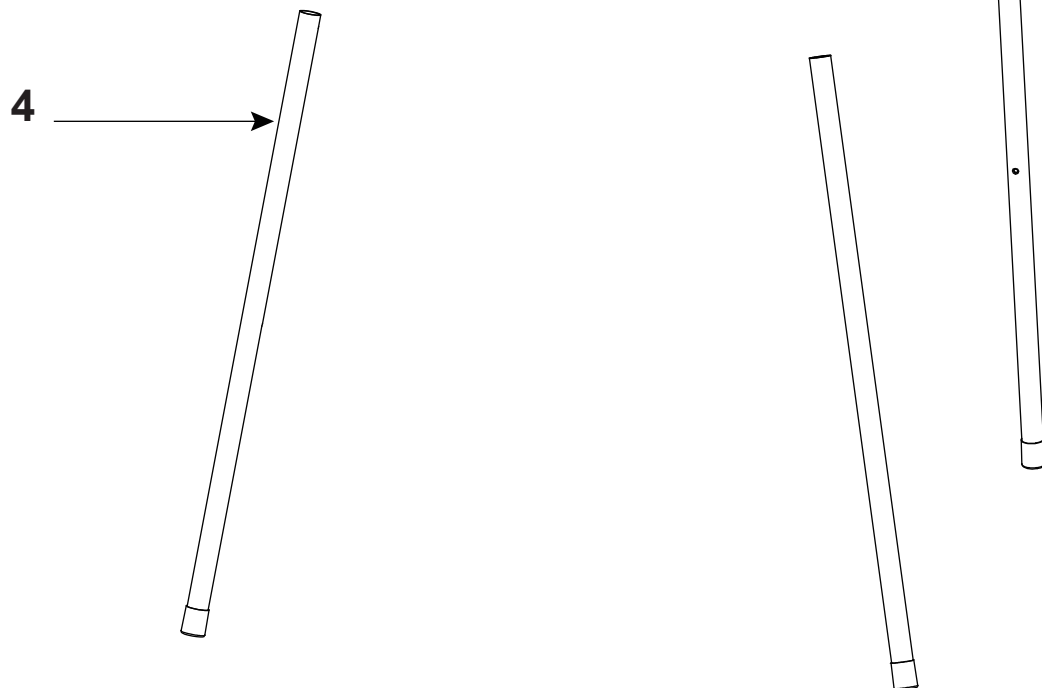
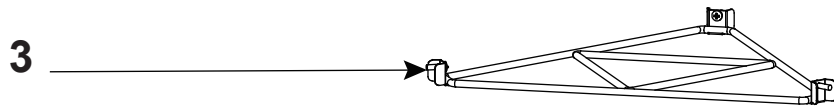
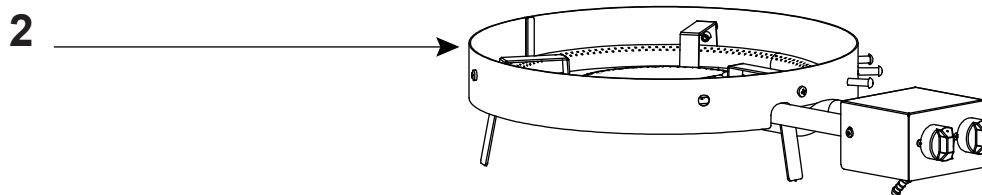
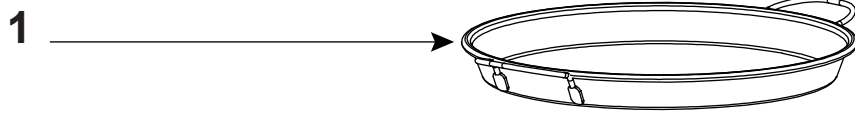
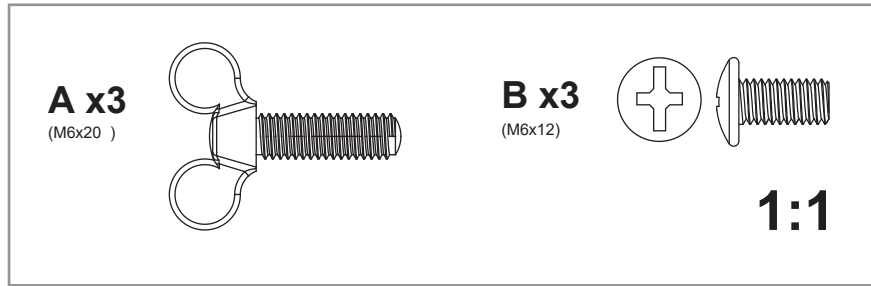
Patikrinkite, ar yra visos reikiamos dalys ir ar jos tvarkingos. Patikrinimui galite naudoti 8 puslapyje pateiktą dalių sąrašą. Jei trūksta kokių nors dalių arba jos pažeistos, susisiekite su pardavėju.

Atidžiai peržiūrėkite surinkimo schemas ir surinkite kepsninę instrukcijose nurodyta tvarka. Kepsninės nerinkite ant terasos grindų, nes smulkios detalės gali įkristi į plyšį tarp lentų.

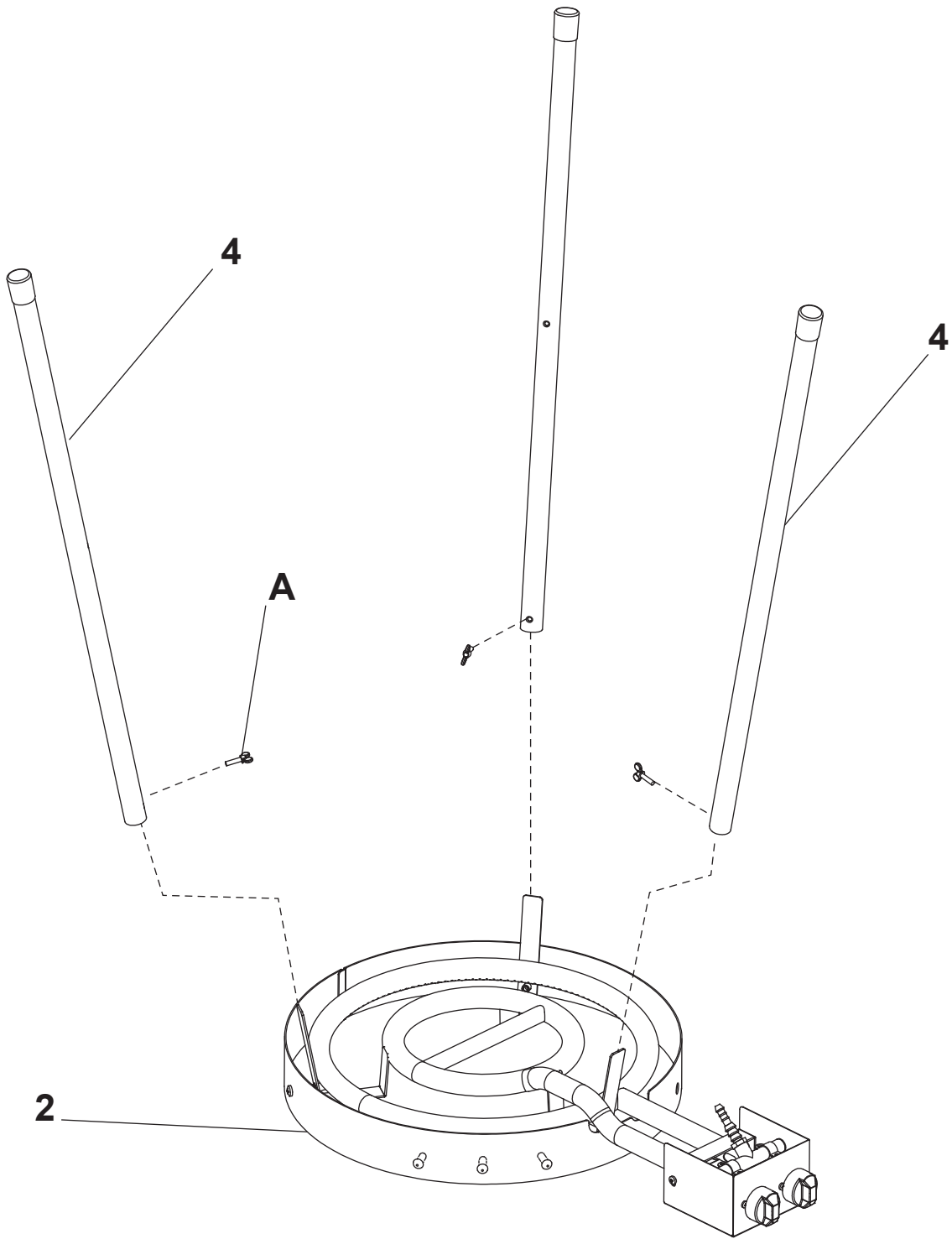
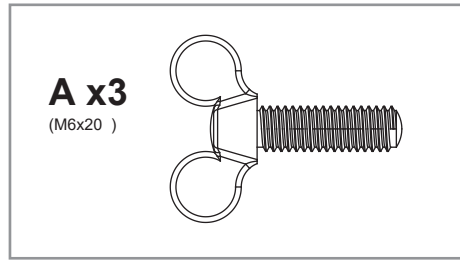
Kai kurios skardinės / metalinės dalys gali būti aštrios, tad mūvėkite darbinės pirštines.



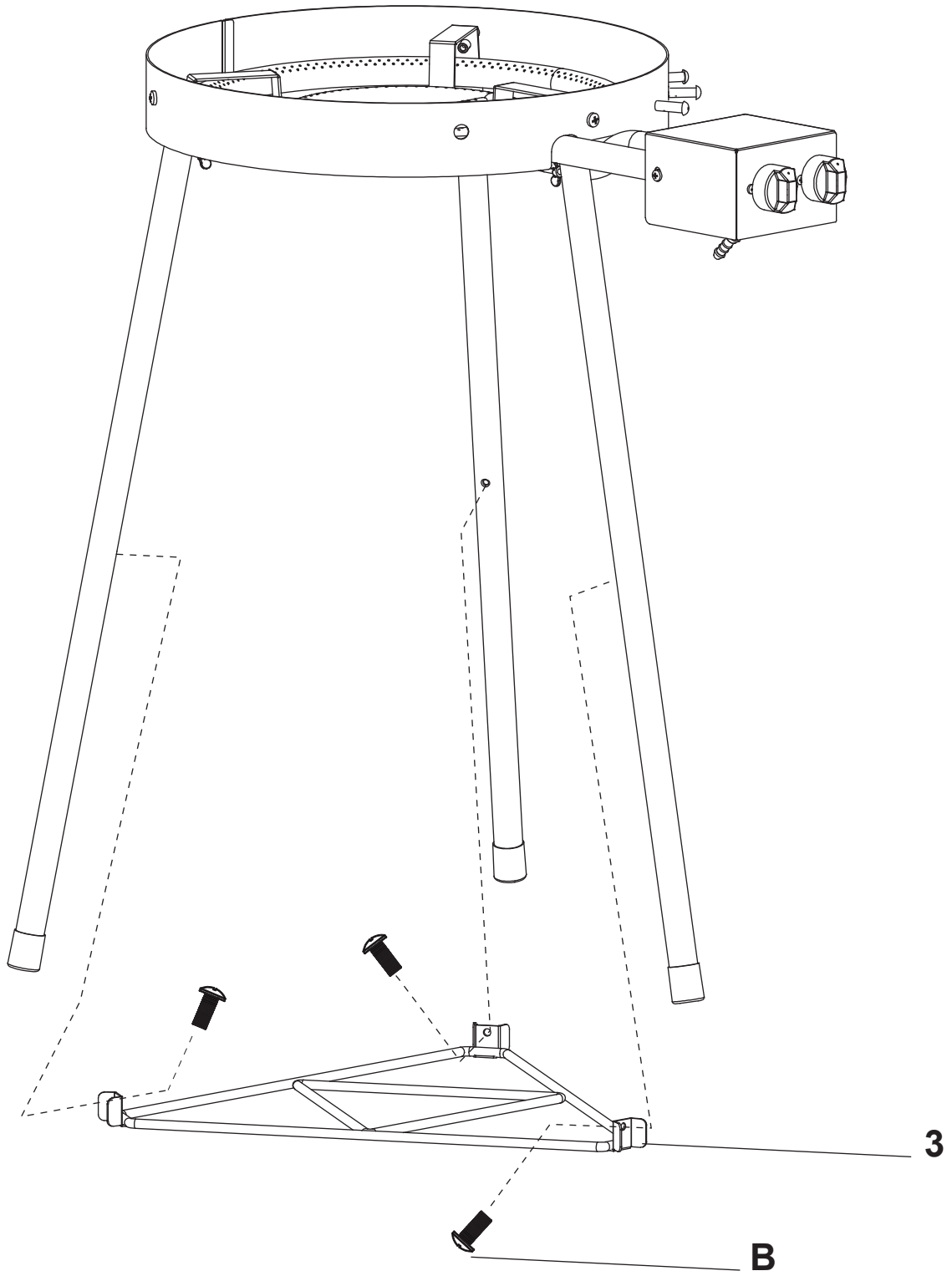
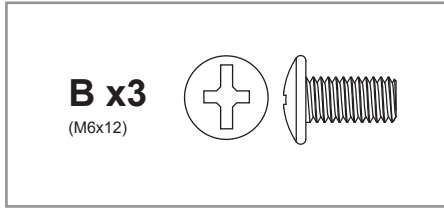
Surinkdami kepsninę nenaudokite elektrinio arba akumulatorinio atsuktuvo. Jis gali sugadinti varžtus arba dalių paviršius. Visus varžtus užsukite ranka.



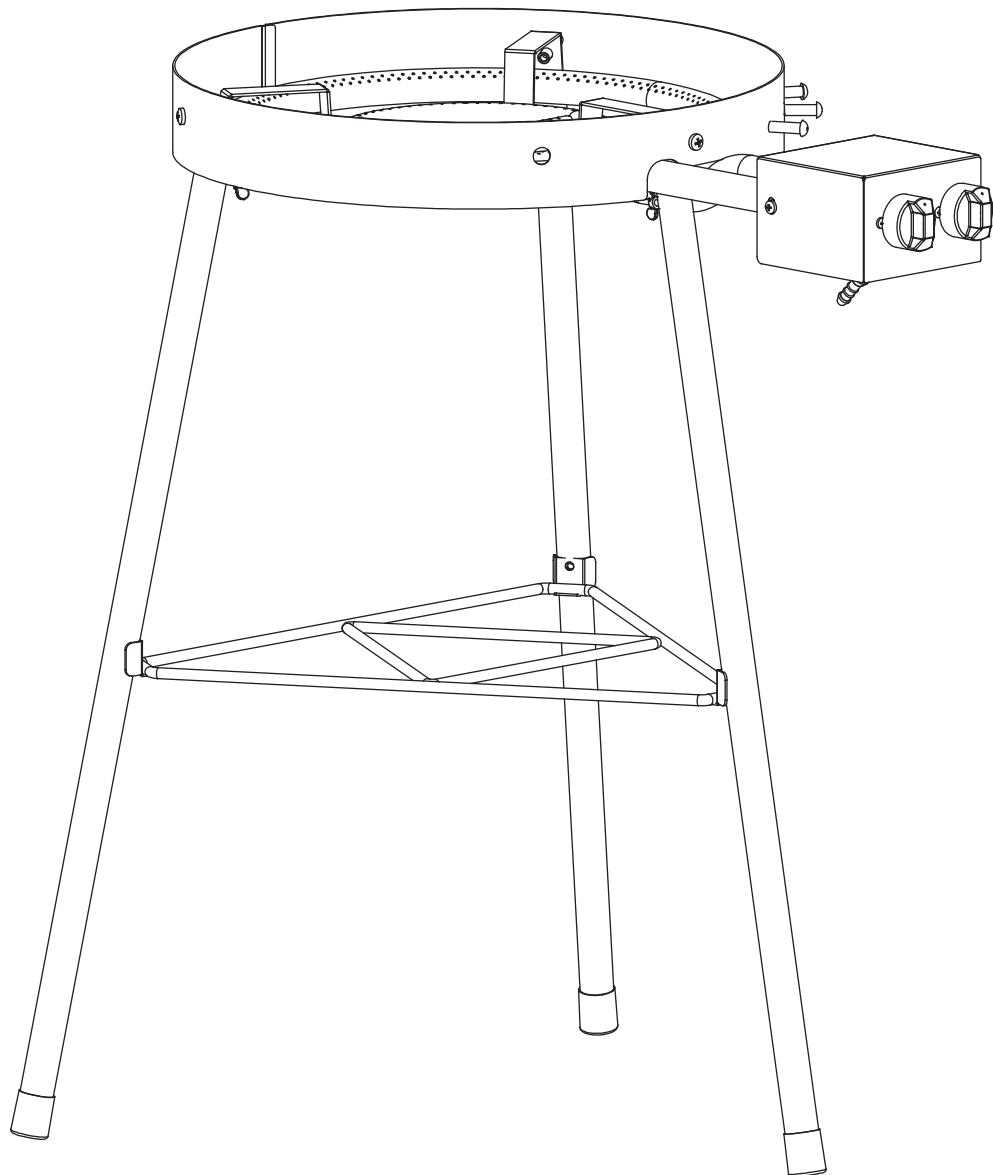
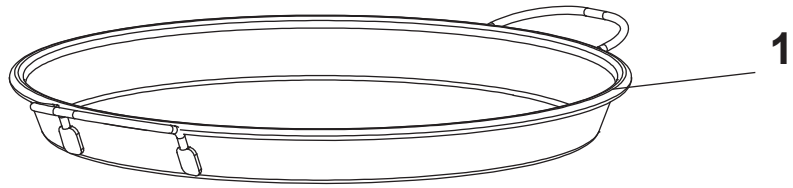
1

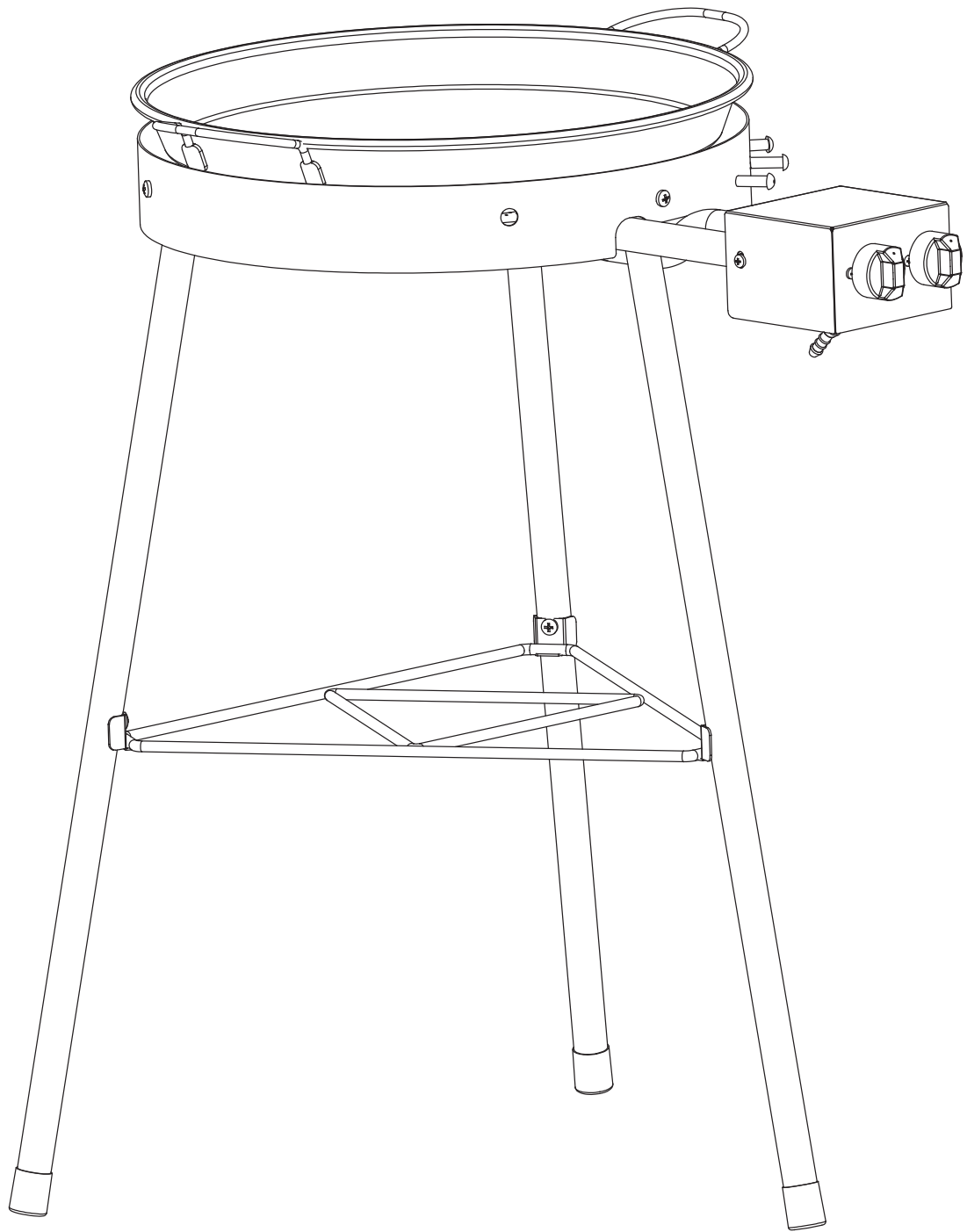


2



3







MUSTANG

EN

Assembly and operating instructions

Welcome to the world of Mustang grills

We are happy that you ended up choosing a Mustang gas grill. Mustang wants to be your barbecue buddy and ensure the grilling experience of your dreams. Mustang was born out of the desire to enjoy unhurried and relaxed cooking together with family and friends, and this is the idea we also want to offer to you.

The Mustang grills and accessories are carefully designed and finished, and we are proud to represent them. Our long experience and expertise can be seen in all of our products. They include all essential functions and features. We are sure that this grill will bring you joy for a long time, as long as you remember to maintain and clean your grill according to the instructions in this manual.

The most extensive barbecue product selection

Mustang is a brand owned by the Finnish company Tammer Brands Oy. Mustang offers all appliances, supplies, accessories and spare parts needed for grilling, as well as an extensive product selection for smoking food and making pizza. We know the barbecue culture inside and out, so we can ensure that you have access to the most suitable and modern products. Mustang is the only brand you need for a successful barbecue.

After sales service:

Tammer Brands Oy,
tel. +358 3 252 1111.
Viinikankatu 36,
FI-33800 Tampere, FINLAND

mustang-grill.com

TAMMER
BRANDS | EST 1954

EN



Read the manual before using the grill and save it for later use.

Follow us on social media



mustanggrill

Table of contents

Assembly instructions	3
Before you begin assembly	4
Safety instructions and warnings	16
Placing the ring burner	16
Safety instructions related to gas	16
General safety instructions	17
Connecting gas to the ring burner	18
Information about liquefied gas	18
Installing the gas hose	18
Installing the low-pressure regulator	19
Testing for liquefied gas leaks	19
Using the ring burner	20
Measures to perform before each use	20
Igniting the burners with a match or long lighter	21
Putting out the burners	21
Controller positions	21
Checking the flames	21

EN

Useful tips	22
General instructions for grilling	22
Preventing food from sticking to the grill	22
Marinades	22
Accessory hooks	22
Grilling temperature guide	23
Cleaning and storing	25
Burners	25
Steel parts	25
Storage	25
Troubleshooting	26
Warranty	27

EN

Safety instructions and warnings

When using this ring burner, you are obliged to read carefully and pay attention to the warnings and safety instructions in this manual before using the appliance. This equipment is CE marked in accordance with existing regulations.


Symbol explanations:  DANGER!  NOTE!

Placing the ring burner

 This device is intended for outdoor use only. It must never be used indoors or in enclosed spaces. Check the things to consider below.

- Only use the ring burner outdoors.
- Do not use the ring burner next to a wall, in a garage, caravan or motorhome, in any other enclosed space or indoors.
- Make sure that there is at least one metre of free space around and above each side of the ring burner.
- Make sure you have a fire blanket/hand extinguisher and a first aid kit near the ring burner.
- The ring burner must not be placed on or near sensitive surfaces, as it can splash and drip grease and marinades during normal use.
- Make sure that the ring burner and the gas cylinder are placed on a horizontal surface.

Safety instructions related to gas

 Only a service company with gas installation authorization may maintain and adjust the main valves, nozzles and gas taps of the grill. Check the things to consider below.

- Always shut off the gas flow from the gas cylinder after use and remove the low-pressure regulator from the cylinder.
- Handle the liquified gas cylinder carefully: do not drop or knock it. Do not store liquified gas cylinders in places where the temperature may rise to above +50°C.
- Always inspect the condition of the gas hose before use.
- Carry out a leak test regularly according to the instructions. A leak test is particularly important when the ring burner has not been used for a long time or when you have replaced a gas cylinder, low-pressure regulator or hose.
- If you smell a strong odour of gas, turn off the gas supply immediately and set all controls to OFF. Then perform a leak test and repair the connections. If you cannot find the fault, contact your service or dealer.
- Never use an open flame to test for gas leaks.
- Do not disconnect the gas hose or low-pressure regulator when the ring burner is in use.

General safety instructions



Using the ring burner for other than its intended purpose may pose a danger. Structurally modifying the ring burner, even in the smallest ways, is entirely forbidden. Check the things to consider below.

- Follow the instructions of assembly carefully and ensure that no parts are left uninstalled during the assembly. If you do not follow the instructions or you have not installed all parts, you may experience problems when using the appliance. The user is responsible for correctly assembling the ring burner.
- Read the instructions before using the ring burner and keep them for future reference.
- The ring burner gets hot during use, so be particularly careful if there are children, elderly people or pets around.
- There must be no flammable material, liquids or gas cylinders not connected to the burner in the immediate vicinity of the ring burner.
- Do not lean over the ring burner when igniting it.
- The ring burner must not be left unattended during use.
- Do not move the ring burner while it is in use.
- Wear heatproof mitts when using the ring burner.
- Make sure the ring burner is clean of grease and marinades.
- Do not use the ring burner if it is not functioning normally.
- Do not allow children to use the ring burner.
- Alcohol, prescription medication and intoxicants of all kinds may affect the user's ability to operate the grill in a safe and appropriate manner.

Connecting gas to the ring burner


Information about liquefied gas

Before you can use the ring burner, you must purchase a liquefied gas cylinder, low-pressure regulator and gas hose. **These are not included in the delivery.**

Liquefied petroleum gas (LPG) is an extremely flammable substance stored in pressurized liquefied gas cylinders. Liquefied gas cylinders are available in weights of 5 kg–11 kg. Ensure that your cylinder is not dented or rusty, and that its valve is not damaged. Always carry and transport liquefied gas cylinders in an upright position and securely attached. In household use, a gas cylinder must have a maximum height of 615 mm and diameter of 310 mm.

The gas is directed from the cylinder to the ring burner through a low-pressure regulator and a hose. The low-pressure regulator helps the gas flow evenly into the ring burner.

 **The pressure regulator to be attached to the cylinder must not be adjustable, and its operating pressure must be 30 mbar.**

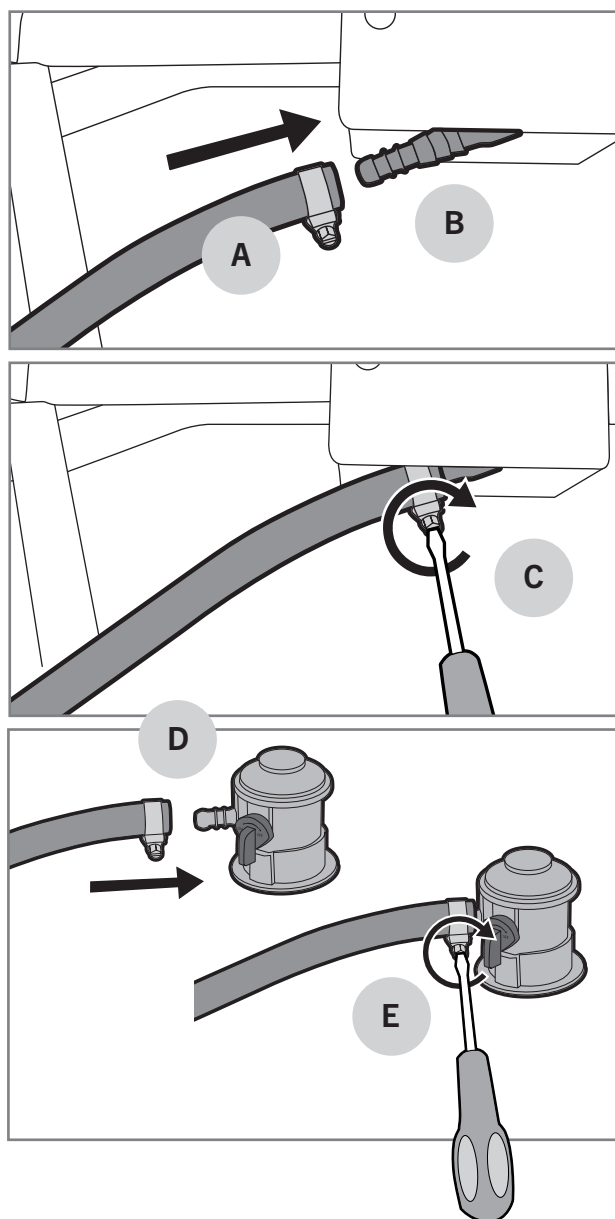
 **The length of the gas cylinder may be 1.2 m at the maximum, and its thickness 10 mm at the maximum (note: in Sweden, max. 8 mm).**

 **The pressure regulator must be manufactured in accordance with the EN16129 standard. In the pressure regulator, the operating pressure is marked according to the nominal pressure, 29 mbar.**

 **The gas hose must be manufactured in accordance with the EN16436 standard.**

Installing the gas hose

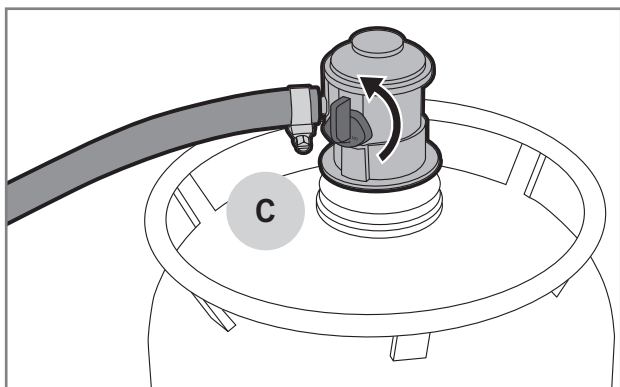
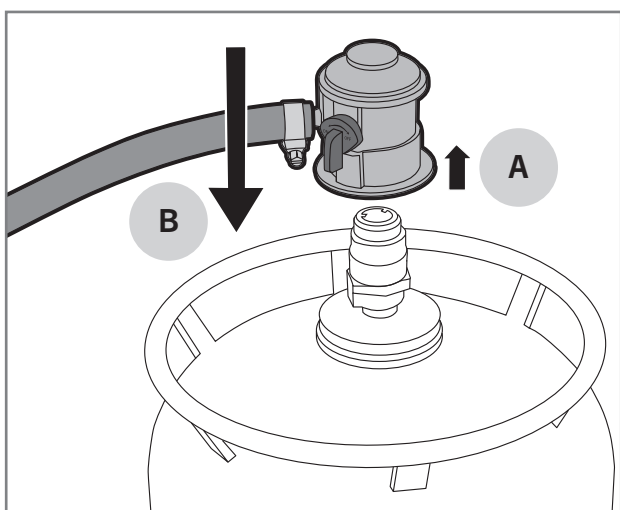
1. Check the condition of the gas hose.
2. Ensure that all control knobs on the ring burner are turned to OFF.
3. Insert the gas hose (A) tightly into the hose chuck (B), as far in as it goes.
4. Fasten the hose to the hose chuck using a hose clip (C).
5. Insert the other end of the gas hose into the hose chuck in the low-pressure regulator (D).
6. Fasten the hose to the hose chuck using a hose clip (E).



EN

Installing the low-pressure regulator

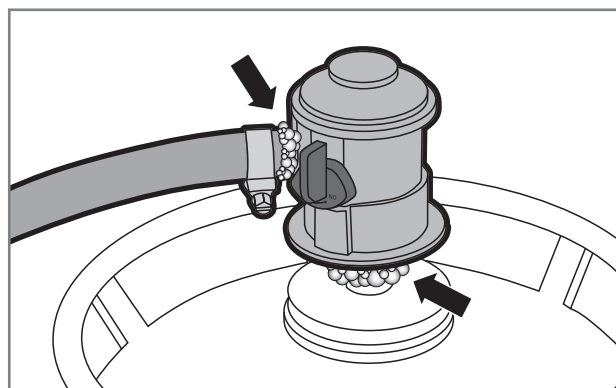
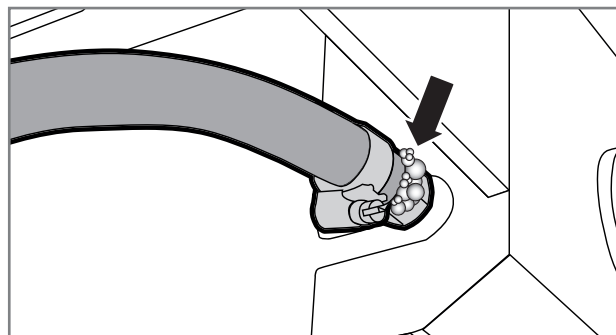
1. Check the condition of the low-pressure regulator.
2. Attach the low-pressure regulator to the cylinder by pulling the locking ring up (A) and pressing the regulator into the cylinder at the same time (B).
3. Secure the fastening by forcefully pulling the regulator up.
4. Open the gas flow from the regulator slowly for the pressure to even out (C).



3. Wet all valves, hose connections, regulator connections, cylinder connections and welding seams with a soapy water solution (30% dish-washing liquid or liquid soap and 70% water). You can wet the parts by brushing or spraying them.
4. Watch carefully if bubbles appear in any part. Bubbles indicate a gas leak.
5. If bubbles appear, shut the gas flow off and fasten the connections in the parts where you see bubbles.
6. If bubbles appear in the middle of the hose or at the cylinder, replace the part in question.
7. Open the gas flow and perform the leak test again.
8. Rinse the soapy water off with clean water to prevent corrosion.

⚠ Do not use the ring burner if you cannot fix the gas leaks. In this case, disconnect the low-pressure regulator from the gas cylinder and contact your service / dealer.

EN



Testing for liquefied gas leaks

The inspection of potential gas leaks must be done every time the cylinder, regulator or hose is replaced. The leak test must also be performed regularly once a year, and especially after longer storage periods. Perform the leak test by following the instructions below:

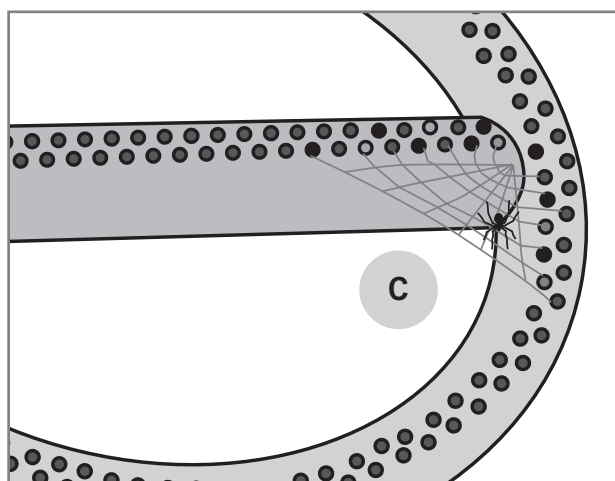
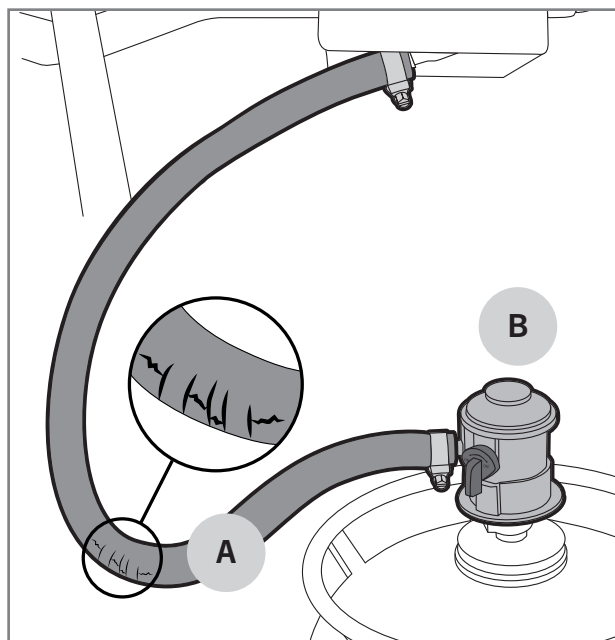
1. Make sure that the controls for all the burners are in the OFF position.
2. Open the low-pressure regulator.

Using the ring burner

Measures to perform before each use

To use the ring burner safely and properly, a few checks are required before each use. Please carefully go through the checklist below:

1. Check that the ring burner is placed correctly and there are no flammable materials or liquids in the immediate vicinity.
2. Check that the gas hose is not cracked or torn (A).
3. Check that the low-pressure regulator is fastened tightly (B).
4. Check that the burners are clean of grease and marinades. This will prevent grease fires.
5. Check that the burner holes are not covered by insect nests or webs (C).
6. Check that the racks and other grilling equipment are clean.



EN

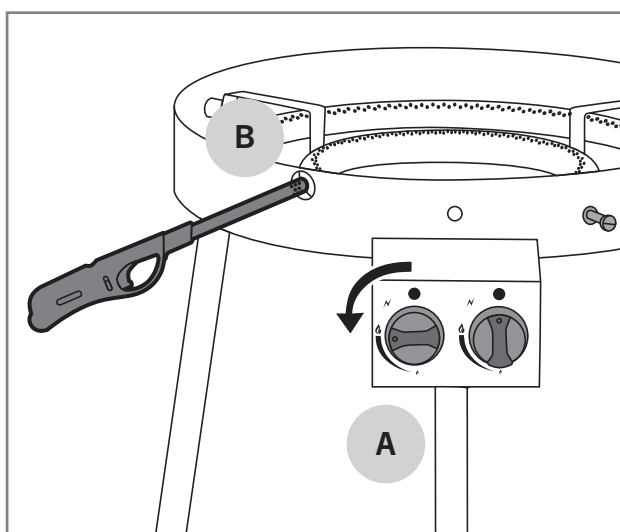


Do not use the ring burner if the gas hose is damaged or parts are missing.

Igniting the burners with a match or long lighter

1. Open the gas flow using the low-pressure regulator.
2. Light a long match or a long lighter.
3. Press the left control knob and turn it to 🔥 (A).
4. Using the ignition hole (B), bring the long match or long lighter about one centimetre away from the burner.
5. Once the first burner is lit, the second burner can be lit by turning the control counter-clockwise between the area 🔥 and 🔥.

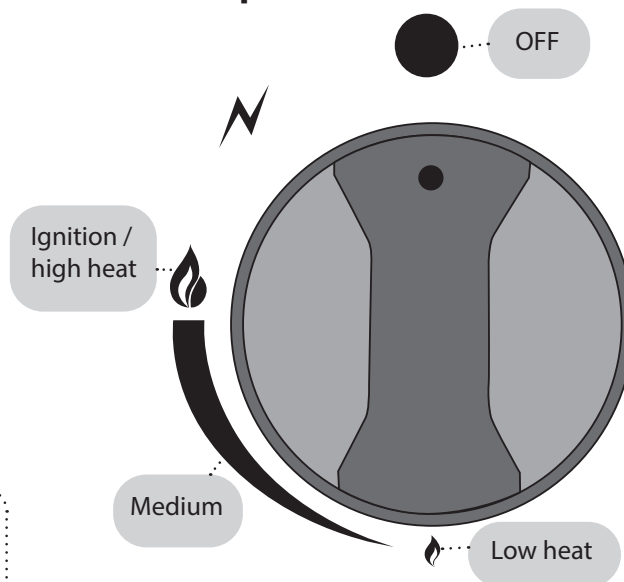
i If the burner does not light up within five seconds, turn the control knob to OFF and try to find a solution from the troubleshooting table.



Putting out the burners

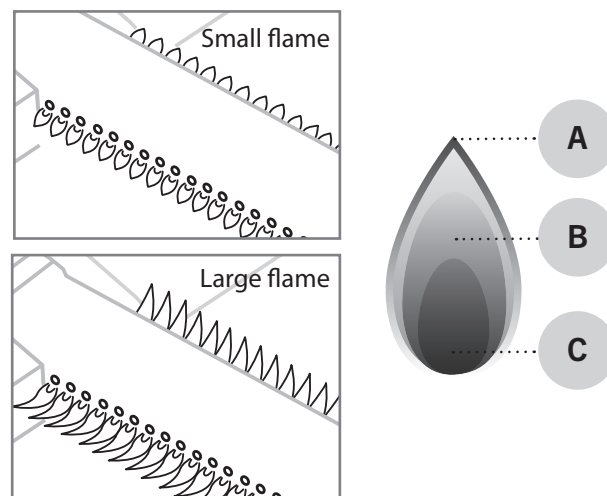
1. Shut off the gas flow from the low-pressure regulator to ensure that no gas remains in the ring burner or the gas hose.
2. Turn the control knob to the OFF position.
3. Remove the pressure regulator from the gas cylinder.

Controller positions



Checking the flames

Always check the flame when turning the ring burner on. The burners have been optimized at the factory, but the small holes on them attract insects to nest and make webs on the burners. When the burners are burning properly, only the tip of the flame is occasionally yellow (A) and the flame's color changes from light blue (B) to dark blue from the top down (C).



i If the flame is not burning properly, check and clean the burner. If the burner is damaged, it must be replaced before continuing to use the ring burner.

EN

Useful tips

General instructions for grilling

Grilling is very easy and relaxing once you keep a few rules in mind and make use of these general grilling instructions:

- **The grill must heat up properly.** Once the grids are sufficiently hot, food sticks to them less and the foods get a proper grilled surface.
- **Do not grill with dirty supplies.** Old marinades and food scraps easily stick to the grid and the food. Clean the grill and the grids after each use. This way, they are ready for the next grilling session.
- Ensure that all necessary supplies, seasonings, marinades and dishes are close before you start grilling.
- **Flip the meats as little as possible;** once is sufficient. When the food is allowed to cook slowly on the grill/grid, it gets a nicely seared surface.
- **Use a thermometer!** If you grill the food for too long, the food will become dry and lose its flavor. You can achieve the best results if you also get a meat thermometer.
- **Let the meat settle for 10–20 minutes** before cutting/serving it. While the meat settles, its temperature becomes more even and the juices do not flow out excessively when cutting the meat.

Preventing food from sticking to the grill

Food sticking to the grill or grid is a common phenomenon for all barbecue cooks. Here are a few tips to avoid excessive sticking:

1. Remember to pre-heat the grill so that it is sufficiently hot.
2. Clean the grids before putting food on the grill.
3. Spread oil on the grilling surface and the food to be grilled before putting it on the grill.
4. Do not flip the food on the grill too quickly; let the surface be grilled properly.

Marinades

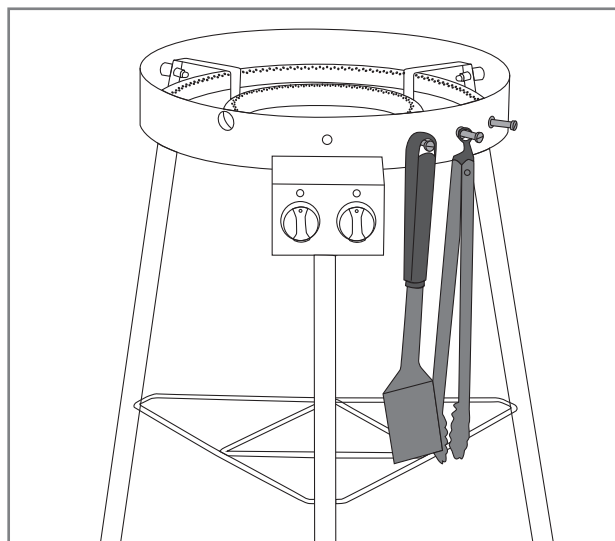
The use of marinades is very common in grilling. Their purpose is to season the grilled food to taste. However, marinades also cause the food to stick to the grids. Similarly, oily marinades may spill on the burners and cause the flame to flare up, or even cause grease fires. With these few tips, you can reduce the problems caused by marinades:

1. Try to wipe extra marinade off the food before putting them on the grill.
2. If you add marinade during the grilling, always use a cooking brush. Do not pour the marinade on the food straight from a bottle.
3. Opt for dry rubs during grilling.

i Do not use leftover marinade from preparing raw meat to season cooked food. In this case, the bacteria from the raw meat will transfer to the cooked food.

Accessory hooks

The ring burner has handy accessory hooks so you can keep the necessary grilling accessories within easy reach.



Grilling temperature guide

Below is a list of the indicative grilling times and temperatures for the most common ingredients. Elements such as wind, rain, outdoor temperature and the cleanliness of the grill may affect the time required.



Beef

Ingredient	Thickness / weight	Grilling method	Grilling time
Tenderloin / sirloin steak	ca. 2 cm	Direct high heat	2.5 – 3.5 min per side
Tenderloin / sirloin steak	ca. 5 cm	Direct high heat Indirect medium heat	2.5 min per side 8 – 10 min
Whole tenderloin	ca. 1.5 kg	Direct high heat Indirect medium heat	3 min per side 20 – 30 min
Roast	ca. 1.5 kg	Direct medium heat Indirect medium heat	3 – 4 min per side 30 – 40 min
Hamburger patty	ca. 2 cm	Direct high heat	2 – 3 min per side
Inner temperature			
Rare – almost rare		47 – 51 °C	
Medium		52 – 58 °C	
Almost done – well done		59 – 66 °C	

EN



Pork

Ingredient	Thickness/weight	Grilling method	Grilling time
Filet steak, chop	ca. 2 cm	Direct high heat	2 – 2.5 min per side
Tenderloin	ca. 600 g	Direct high heat Indirect medium heat	3 min per side 20 – 30 min
Ribs	ca. 1.5 kg	Indirect medium heat Direct high heat	60 – 90 min 4 min per side
Loin	ca. 3 cm	Direct medium heat Indirect medium heat	2.5 – 3 min per side 15 – 20 min
Raw sausage	ca. 400 g	Direct low heat	2 – 3 min per side
Inner temperature			
Well-done filet		65 – 70 °C	
Well-done, other ingredients		65 – 70 °C	



Chicken and turkey

Ingredient	Thickness/weight	Grilling method	Grilling time
Breast filet	ca. 200 g	Direct medium heat	5 – 6 min per side
Leg	ca. 120 g	Direct medium heat	5 – 6 min per side
Wingsit	ca. 500 g	Direct medium heat Indirect medium heat	6 – 10 min 30 – 40 min
Whole chicken	ca. 900 g	Indirect medium heat	60 – 75 min
Inner temperature			
Well-done		75 °C	

Fish

Ingredient	Thickness/weight	Grilling method	Grilling time
Thin filet	ca. 200 g	Direct medium heat	2 – 3 min per side
Thick filet	ca. 120 g	Direct medium heat	5 – 6 min per side
Whole fish	ca. 500 g	Indirect medium heat	20 – 30 min
Inner temperature			
Rosé		45 – 50 °C	
Well-done		55 – 60 °C	



Vegetables

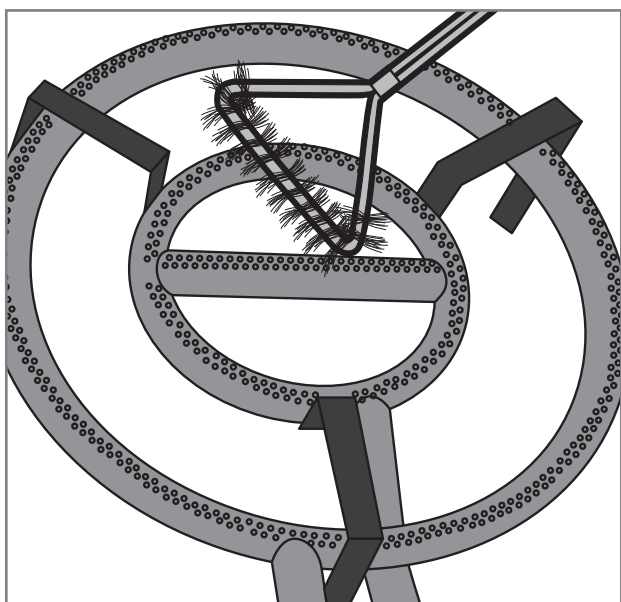
Ingredient	Thickness/weight	Grilling method	Grilling time
Cooked corn		Direct medium heat	6 min
Tomato		Direct medium heat	6 min per side
Asparagus		Direct medium heat	3 – 5 min
Sliced potato		Direct medium heat Indirect medium heat	5 – 8 min 10 – 15 min
Uncooked potato		Indirect medium heat	45 – 60 min

Cleaning and storing

Burners

The burners of the appliance are the most important for operation and heating, so their cleanliness and condition should be checked regularly. Small holes in the burners attract insects and spiders to make nests in the burners. These blockages cause an uneven and unclean flame. Blockages can cause the flame to burn outside the gas tube, which in turn can seriously damage the barbecue. Clean the burners by following the instructions below:

1. Make sure the ring burner is turned OFF.
2. Use the brass cleaning brush intended for grills to clean the burner surfaces.
3. Ensure that the burner holes are open and clean. You can use a thin wire for this.
4. If the burner is damaged and/or badly corroded, stop using the product or replace the burner with a new one.
5. At the same time, check that the valve nozzle is clean and intact.



Steel parts

The following general guidelines can be used for cleaning steel parts:

1. Clean the steel parts of the ring burner with Mustang Grill Cleaner, Mustang Grille Cleaner or mild dishwashing detergent and a cleaning cloth.
2. Do not forget to dry the cleaned parts carefully.
3. Do not use detergents for cleaning the control panels and the surfaces with warning labels, as they may remove the text or other labels.
4. Clean all of the grill's outer surfaces at least three times a year so that stains do not stick to the surfaces.
5. Always test the suitability of a new detergent on an unnoticeable spot.

i Chloride and salt may cause the grill to rust. If the grill is being used in the immediate vicinity of seawater or a pool, the grill must be cleaned weekly.

EN

Storage

See these instructions when you take a longer break from grilling or want to store a ring burner for the winter season, for example. Properly stored, the burner will last longer and stay in working order year after year. When storing your ring burner, follow the instructions below:

1. Clean the ring burner according to the instructions in the owner's manual.
2. Light the burner and allow it to heat up for about 15 minutes, when all the steel parts are dry.
3. Let the ring burner cool down.
4. Remove the low-pressure regulator from the gas cylinder.
5. Always store the gas cylinder outdoors and ensure that it is not exposed to heat or sunlight.
6. Store the ring burner in a dry storage area.

Troubleshooting

Malfunctions may occur in all grills. These malfunctions are usually easily fixable. If you cannot find a solution for your problem in the table below, please contact the seller.

Problem	Possible cause	Solution
Gas is not flowing.	The low-pressure regulator is turned off.	Start the gas flow via the low-pressure regulator.
	The low-pressure regulator is not properly attached to the gas cylinder.	Remove the low-pressure regulator and re-attach it carefully.
	The gas hose or pressure regulator is faulty.	Replace the gas hose or pressure regulator and perform the leak test.
The burner does not light up with a match or lighter.	The burner's holes are blocked.	Clean the burners according to instructions.
	The burners are not properly attached to the valves.	Check the installation and condition of the burners.
The grill does not heat up properly.	The air supply into the burners is blocked.	Check and clean the burners.
	Too little gas.	Replace the cylinder.
	Gas flow is obstructed.	Check that the gas hose is intact and not twisted.
The flame is uneven, completely yellow or smoking.	The burners do not receive sufficient air.	Clean the burners according to instructions.
	There is food, salt or marinade stuck on the burner surface.	Clean the burners according to instructions.
The flame does not stay on.	The wind is too strong.	Move the grill away from wind.
	Low gas.	Replace the cylinder.
Flames are visible outside the burners.	Obstruction in the burners.	Check and clean the burners.
	Strong wind.	Move the grill away from wind.
The pressure regulator is buzzing or humming.	Hot outdoor temperature.	No actions necessary. A passing situation.
	Full gas cylinder.	

EN

Warranty

Mustang gas grills and their components have a manufacturing and material warranty of 24 months, at the minimum. However, the terms of the warranty vary by model. You can find the up-to-date warranty terms and periods on our website

mustang-grill.com

To take care of any warranty matters, you will need a purchase receipt that indicates the place and date of purchase.

EN



FI

Asennus- ja käyttöohje

Tervetuloa mukaan Mustangin grillausmaailmaan

Olemme onnellisia, että valintasi osui Mustang-kaasugrilliin. Mustang haluaa toimia grillauskaverinasi ja varmistaa unelmiesi grillauselämyksen. Mustang on syntynyt halusta nauttia kiireettömästä, rennosta ruuanlaitosta yhdessä perheen tai ystävien kanssa ja tämän saman ajatuksen haluamme tarjota myös sinulle.

Mustang-grillit ja tarvikkeet on huolellisesti suunniteltu ja viimeistely, joten pystymme seisomaan ylpeänä niiden takana. Pitkä kokemuksemme ja ammattitaitomme näkyvät jokaisessa tuotteessamme ja niistä löytyvät kaikki oleelliset toiminnallisuudet ja ominaisuudet. Olemme varmoja, että tästä grillistä on sinulle iloa pitkäksi aikaa, kunhan vain muistat huoltaa ja puhdistaa grillisi tämän käyttöoppaan ohjeiden mukaisesti.

Kaikkein laajin grillausvalikoima

Mustang on suomalaisen Tammer Brands Oy:n omistama tuotemerkki. Mustang tarjoaa kaikki grillaamiseen tarvittavat laitteet, välineet, tarvikkeet ja varaosat sekä laajan valikoiman tuotteita savustukseen ja pizanzaistoon. Tunnetun grillauskulttuurin täydellisesti, joten voimme varmistaa, että saatavillasi on juuri oikeat ja nykyaikaisimmat tuotteet. Mustang on siis ainoa merkki minkä tarvitset onnistuneeseen grillaukseen.

Asiakaspalvelu

Tammer Brands Oy,
puh. 03 252 1111
Viinikankatu 36,
33800 Tampere, Finland

mustang-grill.com

TAMMER
BRANDS | EST 1954

FI



Lue käyttöohjeet läpi ennen grillin käyttöä ja säilytä ne myöhempää tarvetta varten.

Seuraa meitä somessa



mustanggrill


MUSTANG

Sisällysluettelo

Kokoamisohjeet	3
Ennen asentamista	4
Turvallisuusohjeet ja varoitukset	32
Rengaspolttimen sijoittaminen	32
Kaasuun liittyvät turvallisuusohjeet	32
Yleiset turvallisuusohjeet	33
Kaasun liittäminen rengaspolttimeen	34
Tietoa nestekaasusta	34
Kaasuletkun asentaminen	34
Matalapainesäätimen asentaminen	35
Nestekaasun vuototarkastus	35
Rengaspolttimen käyttäminen	36
Toimenpiteet ennen jokaista käyttökertaa	36
Polttimien sytyttäminen tulitikulla tai pitkällä sytyttimellä	37
Polttimien sammuttaminen	37
Säätimien asennot	37
Liekkien tarkistaminen	37

FI


Hyödyllisiä ohjeita	38
Yleisiä grillausohjeita	38
Ruoan tarttumisen välttäminen	38
Marinadit	38
Tarvikekoukut	38
Grillausopas lämpötiloihin	39
Puhdistus ja varastointi	41
Polttimet	41
Teräsosat	41
Varastointi	41
Vianmääritys	42
Takuu	43

Turvallisuusohjeet ja varoitukset

Käyttäessäsi tätä rengaspoltinta, olet veloitettu lukemaan huolellisesti ja kiinnittämään huomiota tässä käyttöoppaassa oleviin varoituksiin ja turvallisuusohjeisiin ennen laitteen käyttämistä. Tämä laite on CE-merkitty olemassa olevien asetusten mukaisesti.


Merkkien selitykset:  VAARA!  HUOM!

Rengaspolttimen sijoittaminen

 Tämä laite on tarkoitettu ainoastaan ulkokäyttöön, eikä sitä saa koskaan käyttää sisätiloissa tai suljetussa tilassa. Katso alta huomioitavat kohdat.

- Käytä rengaspoltinta vain ulkona.
- Älä käytä rengaspoltinta seinän vieressä, autotallissa, asuntoautossa tai -vaunussa, muussa suljetussa tilassa tai sisällä.
- Varmista että rengaspolttimen ympärillä on vapaata tilaa vähintään metri jokaisella sivulla sekä yläpuolella.
- Varmista, että rengaspolttimen läheisyydestä löytyy sammutinpeite / käsiammutin sekä ensiapupakkaus.
- Rengaspoltinta ei saa sijoittaa arkojen pintojen päälle tai läheisyyteen, koska siitä voi normaali-käytössä roiskua ja valua rasvaa sekä marinadeja.
- Varmista, että rengaspoltin sekä kaasupullo on sijoitettu vaakasuoralle alustalle.

Kaasuun liittyvät turvallisuusohjeet

 Vain kaasuasennusoikeudet omaava huolto-
liike voi huoltaa ja säätää grillin pääventti-
leitä, suuttimia sekä kaasuhanoja. Katso alta
huomioitavat kohdat.

- Sulje kaasuntulo kaasupullolta aina käytön jäl-
keen, sekä irrota matalapainesäädin pullosta.
- Käsittele nestekaasusäiliötä varovasti, älä pudota
tai kolauttele sitä. Älä varastoi nestekaasusäiliötä
paikkaan, jossa lämpötila voi ylittää +50 °C.
- Tarkista kaasuletkun kunto aina ennen käyttöä.
- Tee vuototesti säännöllisesti ohjeiden mukaan.
Vuototesti on tehtävä varsinkin silloin, kun
rengaspoltin on pitkään käyttämättä tai kun
olet vaihtanut kaasupullon, paineensäätimen tai
letkun.
- Jos tunnet voimakasta kaasun hajua, sulje
kaasuntulo välittömästi sekä laita kaikki säätimet
OFF asentoon. Tämän jälkeen tee vuototesti ja
korjaa liitokset. Jos et löydä vikaa, ole yhteydessä
huolto- tai myyjäliikkeeseen.
- Älä koskaan tarkista kaasuvuotoa avotulella.
- Älä irrota kaasuletkua tai matalapainesäädintä,
kun rengaspoltin on käytössä.

Yleiset turvallisuusohjeet



Rengaspolttimen käyttäminen muuhun kuin suunniteltuun tarkoitukseen voi aiheuttaa vaaraa ja pienikin rakenteellinen muuttaminen on kaikilta osin kielletty. Katso alta huomioitavat kohdat.

- Seuraa kokoamisohjeita tarkasti ja huomioi, että kasaamisessa ei saa jättää osia kiinnittämättä. Jos ohjeita ei noudata tai osia on jäänyt kiinnittämättä, voi ilmetä ongelmia käytössä. Rengaspolttimen asianmukainen kokoaminen on käyttäjän vastuulla.
- Lue käyttöohjeet ennen rengaspolttimen käyttöä, ja säilytä ne myöhempää tarvetta varten.
- Rengaspoltin kuumenee käytön aikana, joten ole erityisen tarkkaavainen, jos ympärillä on lapsia, vanhuksia tai lemmikkejä.
- Rengaspolttimen välittömässä läheisyydessä ei saa olla helposti syttyvää materiaalia, nesteitä tai polttimeen kytkemättömiä kaasupulloja.
- Älä kumarru rengaspolttimen päälle sytyttäessäsi sitä.
- Rengaspoltinta ei saa jättää vartioimatta käytön aikana.
- Älä siirrä rengaspoltinta sen ollessa käytössä.
- Muista käyttää kuumuutta kestäviä grillihanskoja käyttäessäsi rengaspoltinta.
- Huolehdi, että rengaspoltin on puhdas rasvasta ja marinadeista.
- Älä käytä rengaspoltinta, jos se ei toimi normaalisti.
- Älä anna lasten käyttää rengaspoltinta.
- Alkoholi, reseptilääkkeet ja kaikenlaiset päihteet voivat vaikuttaa käyttäjän kykyyn käyttää rengaspoltinta turvallisesti ja asianmukaisesti.

Kaasun liittäminen rengaspolttimeen

Tietoa nestekaasusta

Ennen kuin voit ottaa rengaspolttimen käyttöösi, sinun on hankittava nestekaasupullo, matalapainesäädin sekä kaasuletku. **Nämä eivät kuulu laitteen toimitukseen.**

Nestekaasu on erittäin helposti syttyvä petrolipohjainen aine, jota säilytetään paineistetuissa nestekaasupulloissa. Nestekaasupulloja löytyy 5 kg - 11 kg pulloina. Varmista että ostamasi pullo ei ole kolhiintunut tai ruosteessa eikä pullon venttiili ole vahingoittunut. Kuljeta aina nestekaasupulloa pystyasennossa hyvin kiinnitettynä. Kotitalouskäytössä kaasupullon koko saa olla maksimissaan 615 mm korkea ja halkaisijaltaan 310 mm.

Kaasu ohjataan pullolta rengaspolttimeen matalapainesäätimen ja letkun avulla. Matalapainesäätimen ansiosta kaasu virtaa rengaspolttimelle tasaisesti.

! Pulloon liitettävä paineensäädin ei saa olla säädettävä ja säätimen käyttöpaineen tulee olla 30 mbar.

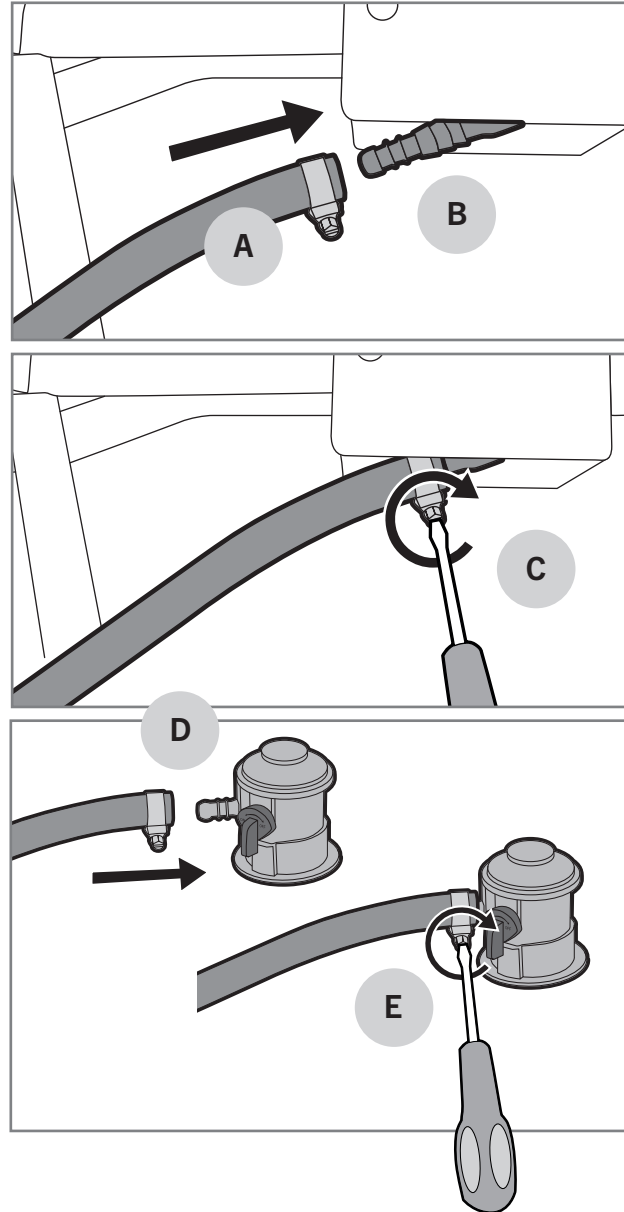
! Kaasuletkun pituus saa olla maksimissaan 1,2 m ja halkaisija maksimissaan 10 mm (Huom. Ruotsissa max 8 mm).

i Paineensäädin tulee olla valmistettu standardin EN16129 mukaisesti. Paineensäätimessä käyttöpaine on merkitty nominaalipaineen mukaisesti 29 mbar.

i Kaasuletku tulee olla valmistettu standardin EN16436 mukaisesti.

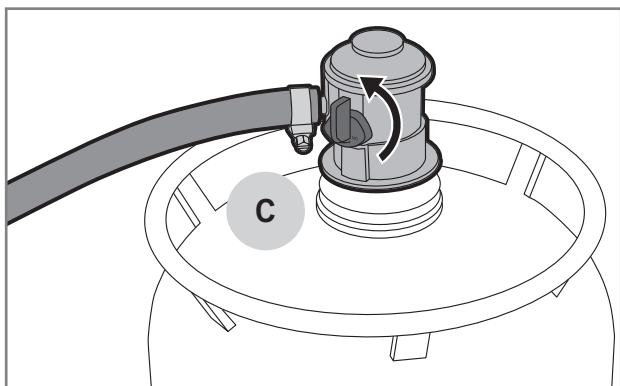
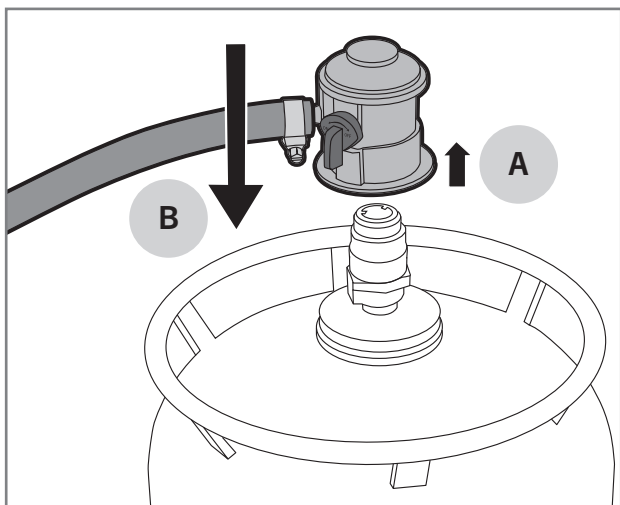
Kaasuletkun asentaminen

1. Tarkista kaasuletkun kunto.
2. Varmista, että kaikki rengaspolttimen säätönupit ovat OFF -asennossa.
3. Työnnä kaasuletku (A) letkuistukkaan (B) mahdollisimman pitkälle ja tiiviisti.
4. Kiristä letku kiinni rengaspolttimen letkuistukkaan letkuklemmarilla (C).
5. Työnnä kaasuletkun toinen pää matalapainesäätimen letkuistukkaan (D).
6. Kiristä letku kiinni painesäätimen istukkaan letkuklemmarilla (E).



Matalapainesäätimen asentaminen

1. Tarkista matalapainesäätimen kunto.
2. Kiinnitä matalapainesäädin kiinni pulloon vetämällä lukitusrengasta ylöspäin (A) ja samalla painamalla säädin kaasupulloon (B).
3. Varmista kiinnitys vetämällä säätimestä voimakkaasti ylöspäin.
4. Avaa kaasuntulo säätimestä hitaasti, jotta paine tasaantuu (C).



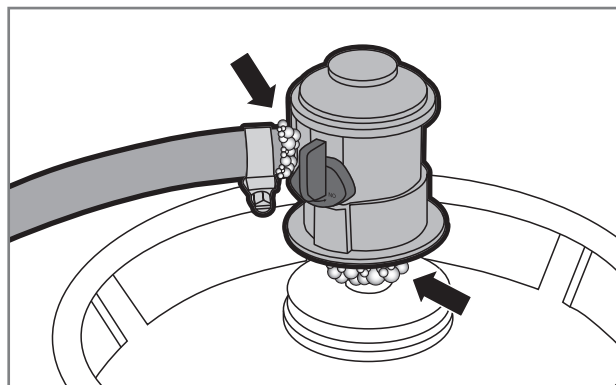
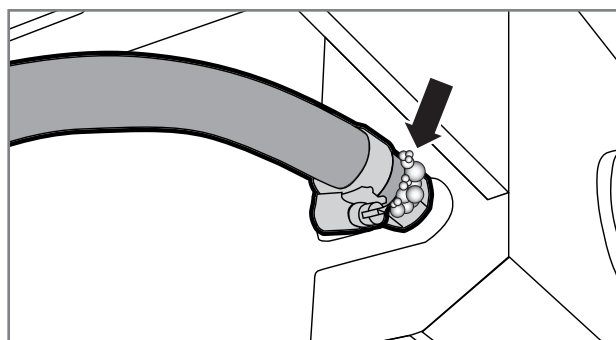
Nestekaasun vuototarkastus

Vuototarkastus täytyy tehdä aina kun vaihdetaan uusi kaasupullo, paineensäädin tai kaasuletku. Tarkastus pitää tehdä myös säännöllisesti vuosittain ja varsinkin pidempien varastointitaukojen jälkeen. Tee vuototarkastus alla olevan ohjeen mukaan:

1. Varmista että kaikkien polttimien säätimet ovat OFF -asennossa.
2. Avaa matalapainesäädin.
3. Kastele kaikki venttiilit, letkuliitokset, säätimen kiinnitykset, kaasupullon liitännät ja hitsaussaumamat saippualliuoksella (30 % astianpesuainetta tai nestesaippuaa ja 70 % vettä). Kastelun voit tehdä joko harjaamalla tai suihkepullolla.
4. Tarkkaile huolellisesti, ilmestyykö mihinkään kuplia. Kuplat ilmaisevat kaasuvuodon.
5. Kuplien syntyessä, sulje kaasuntulo ja kiristä liitoksia niistä kohdista, jossa kuplia ilmaantuu.
6. Jos kuplia ilmaantuu letkun keskellä tai kaasupullossa, vaihda osa uuteen.
7. Avaa kaasuntulo ja tee vuototarkistus uudelleen.
8. Huuhtele saippuavesi pois puhtaalla vedellä ruostumisen ehkäisemiseksi.

Älä käytä rengaspoltinta, jos et saa kaasuvuotoja korjattua. Tällöin irrota paineensäädin kaasupullostasi ja ole yhteydessä huolto- / myyjäliikkeeseen.

FI



Rengaspolttimen käyttäminen

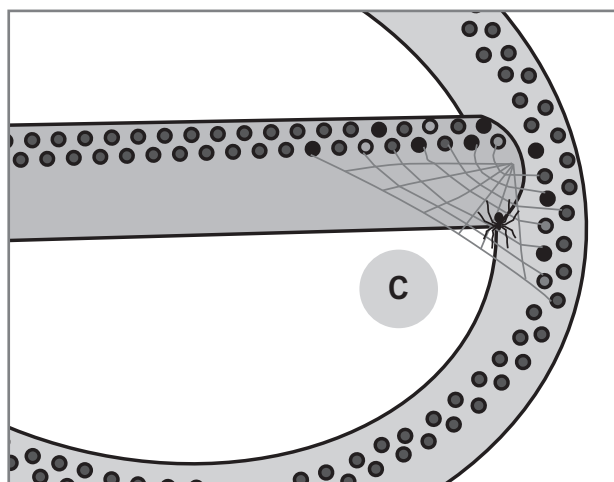
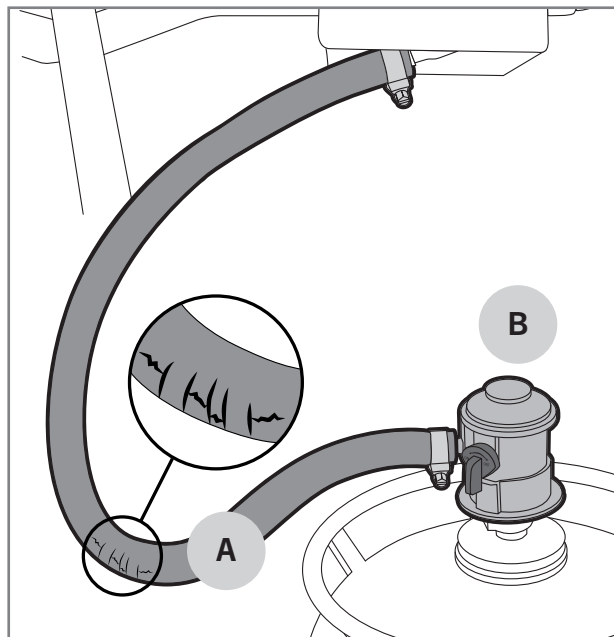
Toimenpiteet ennen jokaista käyttökertaa

Rengaspolttimen turvallinen ja asianmukainen käyttö edellyttää muutamaa tarkistusta ennen jokaista käyttökertaa. Käy alta löytyvä tarkistuslista huolellisesti läpi:




1. Tarkista, että rengaspoltin on sijoitettu oikein ja välittömässä läheisyydessä ei ole helposti syttyviä materiaaleja tai nesteitä.
2. Tarkista, että kaasuletkussa ei ole halkeamia eikä repeytymiä (A).
3. Tarkista, että matalapainesäädin on kunnolla kiinni (B).
4. Tarkista, että polttimet ovat puhtaita rasvasta ja marinadeista. Näin estät rasvapalojen syntymisen.
5. Tarkista, että polttimien reiät eivät ole hyönteisten pesien tai seittien peitossa (C).
6. Tarkista, että parilat ja muut grillausvälineet ovat puhtaat.



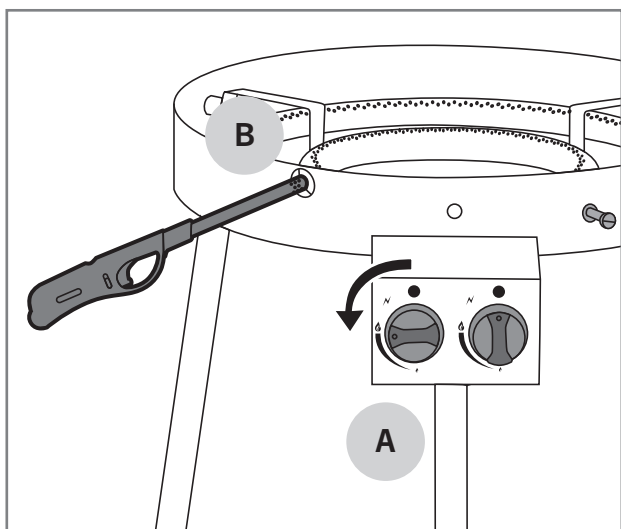
Älä käytä rengaspoltinta, jos kaasuletku on vahingoittunut tai laitteesta puuttuu osia.



Polttimien sytyttäminen tulitikulla tai pitkällä sytyttimellä

1. Avaa kaasun tulo matalapainesäätimestä.
2. Sytytä pitkä tulitikku tai pitkä sytytin.
3. Paina vasemmanouoleista säädintä ja käännä se  -teholle (A).
4. Vie pitkä tulitikku tai pitkä sytytin sytytysrei'än avulla (B) noin sentin päähän polttimesta.
5. Kun ensimmäinen poltin on syttynyt, voidaan toinen poltin sytyttää kääntämällä säädintä vastapäivään  ja  alueen väliin.

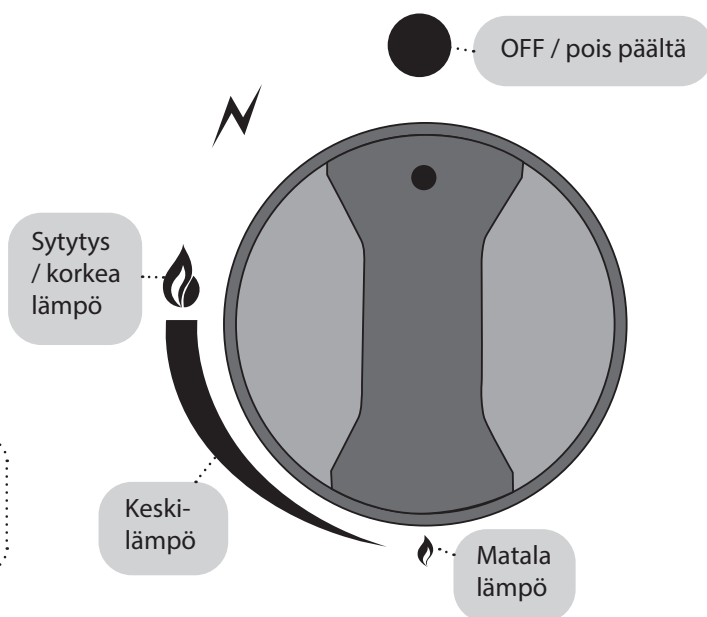
i Jos poltin ei syty viiden sekunnin kuluessa, käännä säädin OFF asentoon ja yritä löytää ratkaisu ongelmanratkaisutaulukosta.



Polttimien sammuttaminen

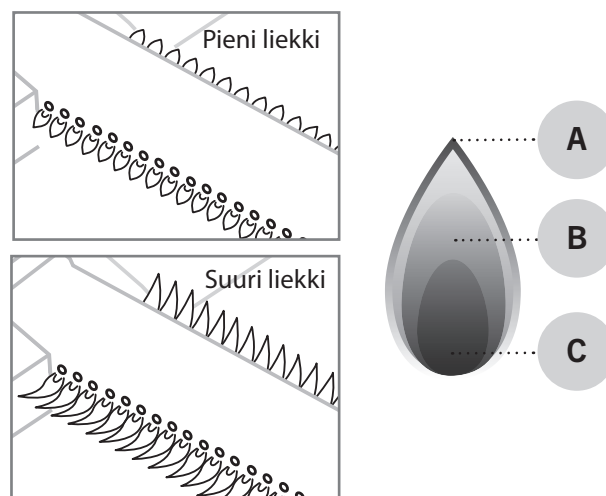
1. Sammuta kaasuntulo matalapainesäätimestä, näin varmistat, ettei kaasua jää rengaspolttimeen tai kaasuletkuun.
2. Käännä säätönupit OFF asentoon.
3. Irrota paineensäädin kaasupullost.

Säätimien asennot



Liekkien tarkistaminen

Tarkista liekki aina kun sytytät rengaspolttimeen. Polttimet on valmiiksi tehtaalla optimaalisesti säädetyt, mutta polttimien pienet reiät houkuttelevat hyönteisiä pesimään ja tekemään seittejä polttimiin. Kun polttimet palavat kunnolla, vain liekin kärki lepattaa välillä keltaisena (A) ja liekin väri muuttuu alaspäin mentäessä vaaleansinisestä (B) tummansinisestä (C).



i Jos liekki ei pala kunnolla, tarkista ja puhdisti poltin. Jos poltin on vahingoittunut, on se vaihdettava uuteen ennen käyttöä.

FI

Hyödyllisiä ohjeita

Yleisiä grillausohjeita

Grillaaminen on hyvin helppoa ja rentouttavaa, kunhan muistat muutaman pienen asian ja hyödynnät näitä yleisiä grillausohjeita:

- **Grillin täytyy kuumeta kunnolla.** Kun grillin parilat ja ritilät ovat kunnolla kuumenneet, ruuan tarttuminen vähentyy ja ruokiin syntyy kunnollinen paistopinta.
- **Älä grillaa likaisilla välineillä.** Vanhat marinadit ja ruuan jämät tarttuvat helposti ritilään ja grillattavaan ruokaan. Puhdista grillin ritilät ja parilat aina jokaisen käyttökerran jälkeen. Näin ne ovat valmiina seuraavaa käyttökertaa varten.
- Varmista, että kaikki tarvittavat työvälineet, mausteet ja marinadit sekä astiat ovat lähettyvillä ennen grillaamisen aloittamista.
- **Käännä lihoja mahdollisimman vähän,** yksi kerta riittää. Kun ruoka saa olla rauhassa tarpeeksi kauan grillausparilalla / -ritilällä, pintaan muodostuu kaunis ruskistunut pinta.
- **Lämpömittari avuksi!** Liian pitkä grillausaika kuivattaa ruuan ja pilaa makunautinnon. Parhaaseen tulokseen pääset, kun hankit avuksesi lihalämpömittarin.
- **Anna lihan vetäytyä 10–20 minuuttia** ennen lihan leikkaamista / ruokailua. Lihan vetäytyessä lämpötila tasaantuu ja lihasnestettä ei irtoa niin paljon leikatessa.

Ruuan tarttumisen välttäminen

Ruuan tarttuminen grilliritilään / -parilaan on hyvin tuttu ilmiö grillaajille. Tässä muutama vinkki, joilla voit välttää ylimääräisen tarttumisen:

1. Muista esilämmittää grilli riittävän kuumaksi.
2. Puhdista grillausritilät ja -parilat ennen ruokien lisäämistä grilliin.
3. Sivele grillausala ja grillattava ruoka öljyllä ennen grilliin laittoa.
4. Älä käännä grillattavia ruokia liian nopeasti, annan niiden paistopinnan valmistua kunnolla.

Marinadit

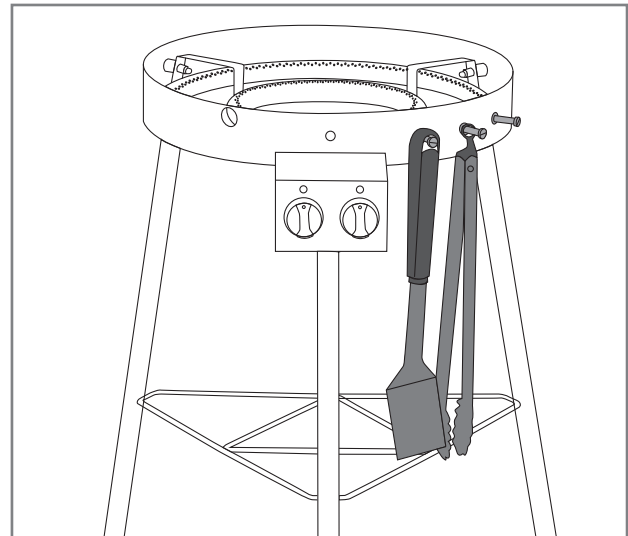
Marinadien käyttö on hyvin yleistä grillauksessa ja niiden tehtävä on maustaa grilliruoka halutun makuseksi. Marinadit aiheuttavat kuitenkin myös ruuan palamista kiinni ritilöihin ja pariloihin. Samoin öljyiset marinadit voivat valua polttimien päälle ja aiheuttavat tarpeetonta liekin leimahtelua tai jopa rasvapalon. Näillä muutamalla vinkillä pienennät marinadeista aiheutuvia ongelmia:

1. Pyri pyyhkimään ylimääräinen marinadi pois ruuista ennen grilliin laittoa.
2. Jos lisäät marinadia grillauksen aikana, käytä aina grillisutia. Marinadia ei saa kaataa suoraan pullosta ruuan päälle.
3. Hyödynnä grillauksen aikana mieluummin kuiva-marinadeja.

i Älä käytä raaka marinoinnista jäänyttä marinadia valmiiden ruokien marinoimiseen. Koska tällöin raakan lihan bakteerit siirtyvät valmiiseen ruokaan.

Tarvikekoukut

Rengaspolttimessa on kätevät tarvikekoukut, jotta voit pitää tarvittavat grillaustarvikkeet käden ulottuvilla.



Grillausopas lämpötiloihin

Alla listattuna ohjeelliset grillausajat ja lämpötilat useimmille raaka-aineille. Tuuli, vesisade, ulkoilman lämpötila ja grillin puhtaus voivat vaikuttaa grillausaikaan.



Nauta

Ainesosa	Paksuus / paino	Grillausmenetelmä	Grillausaika
Sisä- / ulkofileepihvi	n. 2 cm	Suora korkea lämpö	2,5 – 3,5 min / puoli
Sisä- / ulkofileepihvi	n. 5 cm	Suora korkea lämpö Epäsuora keskilämpö	2,5 min / puoli 8 – 10 min
Kokonainen sisäfilee	n. 1,5 kg	Suora korkea lämpö Epäsuora keskilämpö	3 min / puoli 20 – 30 min
Paisti	n. 1,5 kg	Suora keskilämpö Epäsuora keskilämpö	3 – 4 min / puoli 30 – 40 min
Hampurilaispihvi	n. 2 cm	Suora korkea lämpö	2 – 3 min / puoli
Sisälämpötila			
Raaka – melkein raaka		47 – 51 °C	
Medium		52 – 58 °C	
Melkein kypsä - kypsä		59 – 66 °C	



Porsas

Ainesosa	Paksuus / paino	Grillausmenetelmä	Grillausaika
Fileepihvi, kyljys	n. 2 cm	Suora korkea lämpö	2 – 2,5 min / puoli
Sisäfilee	n. 600 g	Suora korkea lämpö Epäsuora keskilämpö	3 min / puoli 20 – 30 min
Grillikylki / ribs	n. 1,5 kg	Epäsuora keskilämpö Suora korkea lämpö	60 – 90 min 4 min / puoli
Kasslerpihvi	n. 3 cm	Suora keskilämpö Epäsuora keskilämpö	2,5 – 3 min / puoli 15 – 20 min
Raaka-makkara	n. 400 g	Suora matala lämpö	2 – 3 min / puoli
Sisälämpötila			
Kypsä filee		65 – 70 °C	
Kypsä muut ainesosat		65 – 70 °C	

FI



Kana ja kalkkuna

Ainesosa	Paksuus / paino	Grillausmenetelmä	Grillausaika
Rintafilee	n. 200 g	Suora keskilämpö	5 – 6 min / puoli
Koipireisi	n. 120 g	Suora keskilämpö	5 – 6 min / puoli
Wingsit	n. 500 g	Suora keskilämpö Epäsuora keskilämpö	6 – 10 min 30 – 40 min
Kokonainen broileri	n. 900 g	Epäsuora keskilämpö	60 – 75 min
Sisälämpötila			
Kypsä		75 °C	



Kala

Ainesosa	Paksuus / paino	Grillausmenetelmä	Grillausaika
Ohut filee	n. 200 g	Suora keskilämpö	2 – 3 min / puoli
Paksu filee	n. 120 g	Suora keskilämpö	5 – 6 min / puoli
Kokonainen kala	n. 500 g	Epäsuora keskilämpö	20 – 30 min
Sisälämpötila			
Rosee		45 – 50 °C	
Täysin kypsä		55 – 60 °C	

FI



Vihannekset

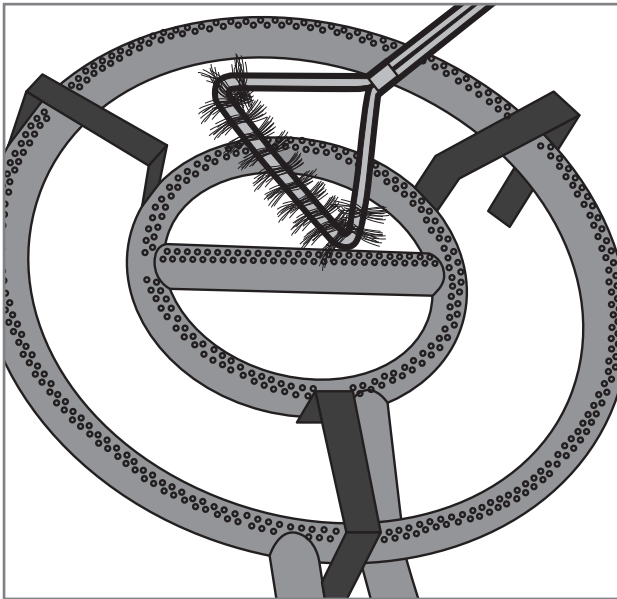
Ainesosa	Paksuus / paino	Grillausmenetelmä	Grillausaika
Kypsä maissi		Suora keskilämpö	6 min
Tomaatti		Suora keskilämpö	6 min / puoli
Parsa		Suora keskilämpö	3 – 5 min
Perunaviipaleet		Suora keskilämpö Epäsuora keskilämpö	5 – 8 min 10 – 15 min
Raaka peruna		Epäsuora keskilämpö	45 – 60 min

Puhdistus ja varastointi

Polttimet

Laitteen polttimet ovat toiminnan ja kuumenemisen kannalta tärkeimmät, joten niiden puhtaus ja kunto on tarkistettava säännöllisesti. Polttimien pienet reiät houkuttelevat hyönteisiä ja hämähäkkejä tekemään pesiä polttimiin. Nämä tukokset aiheuttavat epätasaisen ja epäpuhtaan liekin. Tukokset voivat aiheuttaa liekin palamisen kaasuputken ulkopuolella, joka taas vahingoittaa vakavasti grilliä. Polttimien puhdistus tapahtuu seuraavasti:

1. Varmista, että rengaspoltin on sammutettu.
2. Käytä polttimien pintojen puhdistukseen grillien messinkistä puhdistusharjaa.
3. Varmista että polttimien reiät ovat avoinna ja puhtaat. Apuna voit käyttää esim. ohutta rautalankaa.
4. Jos poltin on vahingoittunut ja tai pahasti ruostunut, lopeta tuotteen käyttäminen tai vaihda poltin uuteen.
5. Tarkista samalla, että venttiilin suutin on puhdas ja ehjä.



Teräsovat

Teräsovien puhdistukseen voi hyödyntää seuraavia yleisohjeita:

1. Puhdista rengaspoltin teräsovat Mustang grillin puhdistusnesteellä, Mustang rosterin puhdistusnesteellä tai miedolla astianpesuaineella ja puhdistusliinalla.
2. Muista kuivata puhdistetut osat huolellisesti.
3. Ohjauspaneelit ja varoitustekstipintojen puhdistukseen ei saa käyttää pesuaineita, koska ne voi irrottaa tekstiit tai muut turvamerkinät.
4. Puhdista kaikki grillin ulkopinnat vähintään kolme kertaa vuodessa, jotta lika ei pääse pintymään pintoihin.
5. Testaa aina uuden puhdistusaineen soveltuvuutta huomaamattomaan kohtaan.

i **Kloori ja suola saattavat aiheuttaa grillin ruostumista. Joten jos grillin käyttöpaikka on meren tai uima-altaan välittömässä läheisyydessä, on grillin puhdistus tehtävä viikoittain.**

FI

Varastointi

Katso nämä ohjeet, kun pidät pidemmän tauon grillauksessa tai haluat varastoida rengaspoltin esim. talvikaudeksi. Oikein varastoituna käyttöikä pitenee ja rengaspoltin pysyy toimintakunnossa vuodesta toiseen. Varastoidessa rengaspoltin, toimi seuraavien ohjeiden mukaan:

1. Puhdista rengaspoltin käyttöoppaan ohjeiden mukaan.
2. Sytytä poltin ja anna lämmitä noin 15 minuuttia, jolloin kaikki teräsovat ovat kuivuneet.
3. Anna rengaspoltin jäähtyä.
4. Irrota matalapainesäädin kaasupullosta.
5. Säilytä kaasupulloa aina ulkona ja varmista, että kaasupullo ei pääse altistumaan kuumuudelle tai auringonpaisteelle.
6. Säilytä rengaspoltin kuivassa varastossa.

Vianmääritys

Kaikissa grilleissä voi tulla toimintahäiriöitä. Nämä häiriöt ovat yleensä helposti korjattavissa. Mikäli et löydä vastausta ongelmaasi alta löytyvästä kaaviosta, ole yhteydessä myyjäliikkeeseen.

Vika	Mahdollinen syy	Ratkaisu
Kaasua ei virtaa	Matalapainesäädin on kiinni	Avaa kaasuntulo paineensäätimen säätimestä
	Matalapainesäädin ei ole kunnolla kiinni kaasupullossa	Irrota matalapainesäädin ja laita se uudelleen huolellisesti kiinni
	Kaasuletku tai paineensäädin on viallinen	Vaihda kaasuletku tai paineensäädin ja tee vuototesti
Poltin ei syty tulitikulla tai sytyttimellä	Polttimen reiät ovat tukossa	Puhdista polttimet ohjeiden mukaan
	Polttimet eivät ole kunnolla kiinni venttiileissä	Tarkista polttimien asennus ja kunto
Grilli ei lämpene kunnolla	Polttimien ilmanotto on estynyt	Tarkista ja puhdista polttimet
	Kaasua on liian vähän	Vaihda kaasupullo uuteen
	Kaasuntulo on estynyt	Tarkista että kaasuletku on ehjä ja ei ole mutkalla
Liekki on epätasainen tai palaa täysin keltaisena tai savuttaa	Polttimet eivät saa tarpeeksi ilmaa	Puhdista polttimet ohjeiden mukaan
	Polttimien pinnassa on jämähtänyttä ruokaa, suolaa tai marina-deja	Puhdista polttimet ohjeiden mukaan
Liekki ei pysy päällä	Liian kova tuuli	Siirrä grilli tuulelta suojaan
	Kaasu on vähissä	Vaihda kaasupullo
Liekkejä näkyy polttimien ulkopuolella	Tukoksia polttimissa	Tarkista ja puhdista polttimet
	Kova tuuli	Siirrä grilli tuulelta suojaan
Paineensäädin surisee / humisee	Kuuma ulkolämpötila	Ei aiheuta toimenpiteitä. Ohimenevä tilanne
	Täysi kaasupullo	

FI

Takuu

Mustang -kaasugrilleillä ja sen osilla on vähintään 24 kk valmistus- ja materiaalitakuu. Takuehdoissa on kuitenkin mallikohtaisia eroja, joten ajantasaiset takuehdot ja -ajat löydät verkkosivuiltamme

mustang-grill.com

Kaikkien takuuasioiden hoitoon tarvitset ostokuitin, josta ostopaikka ja ostopäivä pystytään toteamaan.

FI



SV

Monterings- och bruksanvisning

Välkommen med till Mustangs grillvärld

Vi tackar dig för att du har valt Mustang-grillen. Mustang vill fungera som din grillkompis och säkra att du får livets grillupplevelse. Mustang uppstod ur önskan av att njuta av avkopplande matlagning tillsammans med familj eller vänner och vi vill erbjuda dig samma tanke.

Mustang-grillar och tillbehör har planerats och fulländats med omsorg så att vi kan vara stolta över dem. Vår långa erfarenhet och expertis syns i våra produkterna och de har alla väsentliga funktioner och egenskaper. Vi är säkra att den här grillen glädjer dig länge, så länge du kommer ihåg att underhålla och rena grillen i enlighet med anvisningar i den här bruksanvisningen.

Det bredaste grillningssortimentet

Mustang är ett varumärke som ägs av finska Tammer Brands Oy. Mustang erbjuder all utrustning, tillbehör och reservdelar som behövs i grillning samt ett brett sortiment av produkter för rökning, och lagning av pizza. Vi känner grillkulturen utan och innan så att vi kan försäkra att vi erbjuder dig de rätta och mest moderna produkterna. Mustang är alltså det enda varumärket som du behöver för att lyckas i grillning.

Kundtjänst

Tammer Brands Oy,
tfn + 358 3 252 1111
Viinikankatu 36,
33800 Tammerfors, FINLAND

mustang-grill.com

TAMMER
BRANDS | EST 1954

SV



Läs bruksanvisningarna innan du använder grillen och förvara dem för kommande behov.

Följ oss i de sociala medierna



mustanggrill


MUSTANG

Innehållsförteckning

Monteringsanvisningarna	3
Innan montering	5
Säkerhetsanvisningar och varningar	48
Positionering av brännaren	48
Säkerhetsanvisningar för gas	48
Allmänna säkerhetsanvisningar	49
Anslutning av gasen till ringbrännaren	50
Information om gasol	50
Att installera gasslangen	50
Att installera lågtrycksreglaget	51
Att utföra läckagetestet	51
Användning av ringbrännaren	52
Åtgärder före varje användning	52
Att tända brännarna med en tändsticka eller en tändare med långt skaft	53
Att stänga av brännaren	53
Kontrollernas läge	53
Att kontrollera lågor	53

SV


Nyttiga tips	54
Allmänna tips för grillning	54
Att förhindra maten att fastna	54
Marinader	54
Krokar för tillbehör	54
Grillningsguide om temperaturer	55
Rengöring och förvaring av grillen	57
Brännare	57
Delar av stål	57
Förvaring	57
Felsökning	58
Garanti	59

Säkerhetsanvisningar och varningar

När du använder denna ringbrännare är du skyldig att noggrant läsa och observera varningar och säkerhetsanvisningar i den här bruksanvisningen innan du använder grillen. Den här grillen är CE-märkt i enlighet med de existerande bestämmelserna.


Teckenförklaring:  VARNING!  OBS!

Positionering av ringbrännaren

 Denna enhet är avsedd endast för användning utomhus och får aldrig användas inomhus eller i slutna utrymmen. Se avsnitt som ska observeras nedan.

- Använd en ringbrännare endast utomhus.
- Använd inte ringbrännaren mot en vägg, i garaget, i en husbil eller husvagn, i ett annat slutet utrymme eller inomhus.
- Säkerställ att det finns minst en meter av ledigt utrymme åt varje håll omkring och ovanför ringbrännaren.
- Säkerställ att det finns en släckningsfilt / släckare samt en Första hjälpen-förpackning i närheten av ringbrännaren.
- Ringbrännaren får inte placeras på eller i närheten av ett ömtåligt underlag eftersom fett och marinader kan stänka eller rinna vid normal användning.
- Säkerställ att både ringbrännaren och gasflaskan är placerade på en horisontell yta.

Säkerhetsanvisningar för gas

 Endast sådana underhållstjänsteleverantörer som har en ackreditering för underhåll av gasolapparater får underhålla och justera grillens huvudventiler, munstycken samt gasventiler. Se avsnitt som ska observeras nedan.

- Stäng gasmatningen alltid efter användningen samt lösgör lågtrycksreglage från flaskan.
- Hantera gasolbehållare varsamt, fäll eller låt den inte stöta på något. Gasolbehållaren får aldrig förvaras på en plats där temperaturen överstiger +50 °C.
- Kontrollera gasslangens skick alltid före användning.
- Utför regelbundet ett läckagetest enligt anvisningarna. Läcketestet är särskilt viktigt när brännaren inte har använts på länge eller när du har bytt ut en gasflaska, tryckregulator eller slang.
- Om du känner en stark gaslukt ska du omedelbart stänga av gastillförseln och ställa alla reglage i läge OFF. Utför sedan ett läckagetest och reparera anslutningarna. Om du inte kan hitta felet, kontakta din serviceverkstad eller återförsäljare.
- Testa aldrig gasläckage med öppen eld.
- Ta inte gasslangen eller lågtrycksreglage loss när ringbrännaren används.

Allmänna säkerhetsanvisningar



Att använda ringbrännaren för något annat ändamål än det den är konstruerad för kan vara farligt och även mindre konstruktionsändringar är förbjudna i alla avseenden. Se avsnitt som ska observeras nedan.

- Följ monteringsanvisningarna noggrant och observera att man inte får underlåta att fästa delarna. Om man inte följer monteringsanvisningarna eller inte fäster alla delar kan det uppstå problem i användningen. Användaren ansvarar för ringbrännarens lämpliga montering.
- Läs bruksanvisningarna innan du använder ringbrännaren och förvara dem för kommande behov.
- Ringbrännaren blir het under användningen så att var extra uppmärksam om det finns barn, äldre personer eller husdjur i närheten.
- Ringbrännaren ska aldrig placeras i omedelbar närhet av lättantändliga material, vätskor eller gasflaskor som inte är anslutna till grillen.
- Luta dig aldrig över ringbrännaren då du tänder den.
- Lämna inte ringbrännaren utan uppsikt när den används.
- Flytta inte ringbrännaren när den används.
- Kom ihåg att använda värmetåliga grillhandskar när du använder ringbrännaren.
- Se till att ringbrännaren är ren från fett och marinader.
- Använd aldrig ringbrännaren om den inte fungerar korrekt.
- Låt inte barnen att använda ringbrännaren.
- Alkohol, reseptbelagda läkemedel och rusmedel av alla slag kan påverka användarens förmåga att använda ringbrännaren på ett tryggt och regelrätt sätt.

Anslutning av gasen till ringbrännaren

Information om gasol

Innan du kan ta ringbrännaren i bruk ska du skaffa en gasolflaska, en lågtrycksreglage samt en gasslang. **Dessa delar ingår inte i leveransen.**

Gasol är en väldigt lättantändlig petroleumbaserad ingrediens som förvaras komprimerad i en gasolflaska. Gasolflaskor finns i storlekar mellan 5 kg - 11 kg. Kontrollera att flaskan som du har köpt inte är trasig eller rostig och att flaskans ventil inte är skadad. Transportera gasolflaskan alltid upprätt och se till att den sitter fast ordentligt. Gasolflaskan i hushållsbruk får vara högst 615 mm hög och har en diameter på 310 mm.

Gasen leds från flaskan till ringbrännaren med hjälp av lågtrycksreglage och en slang. Tack vare lågtrycksreglagen strömmar gasen jämnt till ringbrännaren.

! Tryckregulatorn som ansluts till flaskan får inte vara justerbar och användningstrycket i regulatorn måste vara 30 mbar.

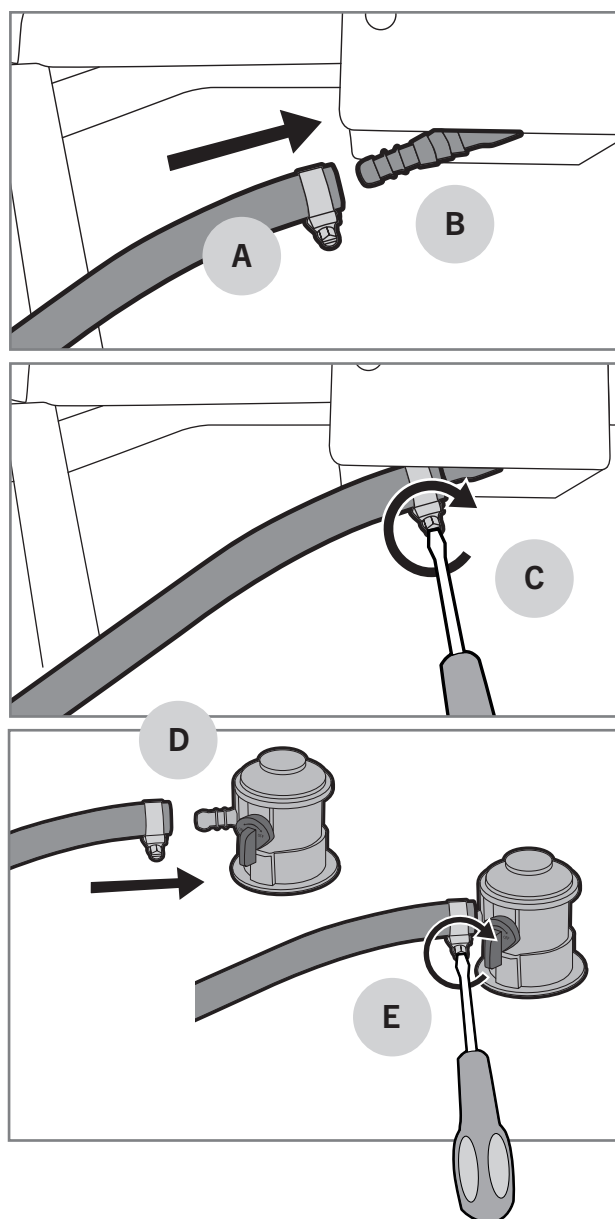
! Gasslangens längd får vara högst 1,2 meter och slangen ska vara högst 10 mm i omkrets (Obs. Högst 8 mm i Sverige).

i Tryckreglaget ska vara tillverkad i enlighet med standarden EN16129. I tryckreglaget är användningstrycket utmärkt i enlighet med normaltrycket 29 mbar.

i Gasslangen ska vara tillverkad i enlighet med standarden EN16436.

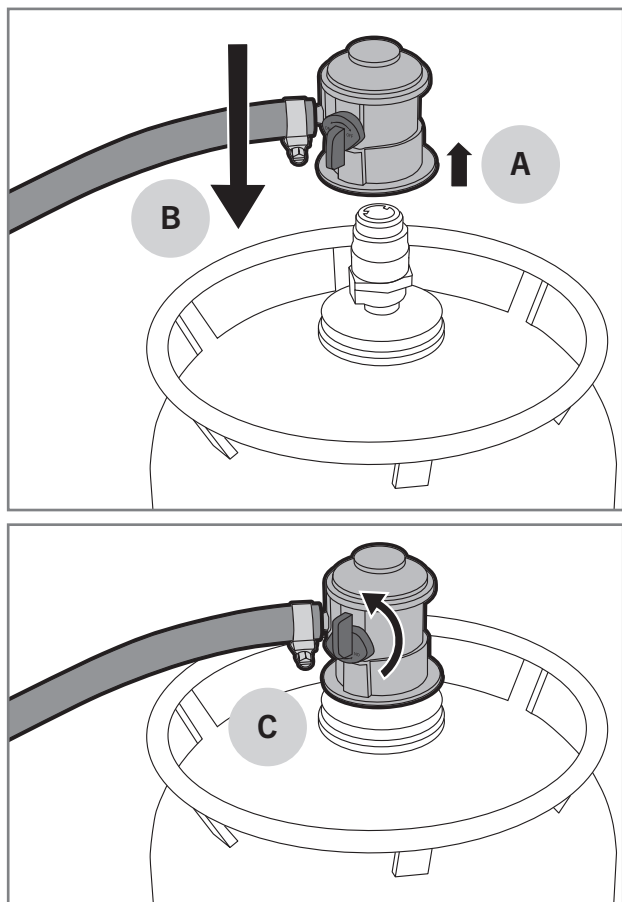
Att installera gasslangen

1. Kontrollera gasslangens skick.
2. Säkerställ att alla ringbrännarens regleringsknappar är i OFF-läge.
3. Tryck gasslangen (A) till slangnippeln (B) så långt och tätt som möjligt.
4. Spänn slangen fast i ringbrännarens slangnippel med en slangklämma (C).
5. Tryck gasslangens andra ända i slangnippeln i lågtrycksreglaget (D).
6. Spänn slangen fast i lågtrycksreglets slangnippel med en slangklämma (E).



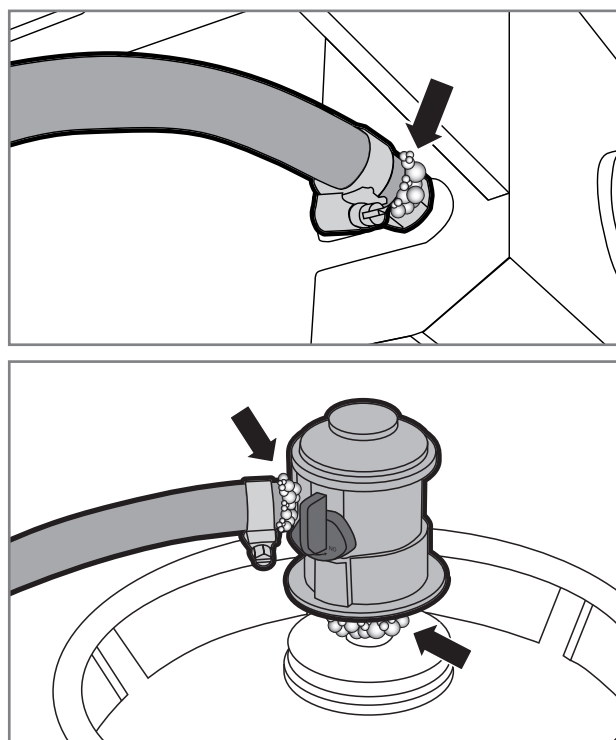
Att installera lågtrycksreglaget

1. Kontrollera lågtrycksreglagets skick.
2. Fäst lågtrycksreglaget till flaskan genom att dra låsringen uppåt (A) och samtidigt att trycka på reglaget in i gasflaskan (B).
3. Kontrollera att den håller genom att dra reglaget kraftigt uppåt.
4. Öppna gasmatningen långsamt med reglaget så att trycket jämnar ut (C).



4. Kontrollera noggrant om någonstans bildas bubblor. Bubblorna visar gasläckagen.
5. Om bubblor bildas, bryt gasmatningen omedelbart och spänn anslutningar där där bubblor bildas.
6. Om bubblor bildas i mitten av slangen eller i gasolflaskan byt delen.
7. Öppna gasmatningen och gör läckagetestet på nytt.
8. Skölj tvållösningen bort med rent vatten för att förebygga rostbildning.

! Använd inte ringbrännaren om du inte kan reparera gasläckagen. I så fall lossa tryckreglaget från gasflaskan och kontakta underhållstjänsteleverantören/ försäljarbutiken.



Att utföra läckagetestet

Läckagetestet måste utföras alltid när en ny gasolflaska, tryckregulator eller gasslang byts. Testet ska göras även regelbundet årligen och särskilt efter längre förvaringsperioder. Utför läckagetestet enligt anvisningarna nedan:

1. Kontrollera att reglagen för alla brännare är i OFF-läge.
2. Öppna lågtrycksreglaget.
3. Vät alla ventiler, slanganslutningar, reglagets fästningar, gasflaskans anslutningar och svetsfogar med tvållösning (30 % diskmedel eller flytande tvål och 70 % vatten). Vätningen kan göras antingen genom att borsta eller med en sprayflaska.

SV

Användning av ringbrännaren

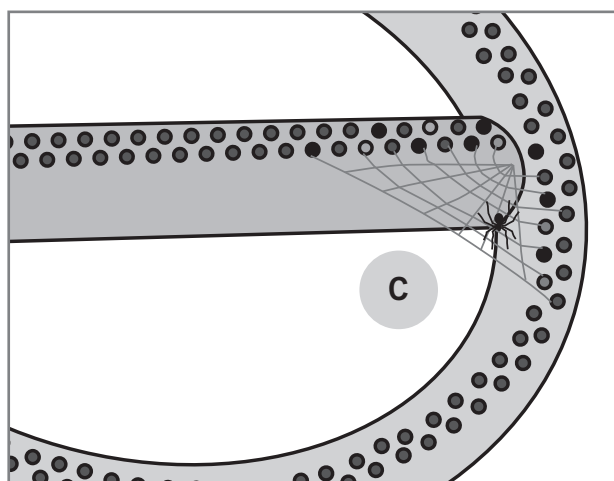
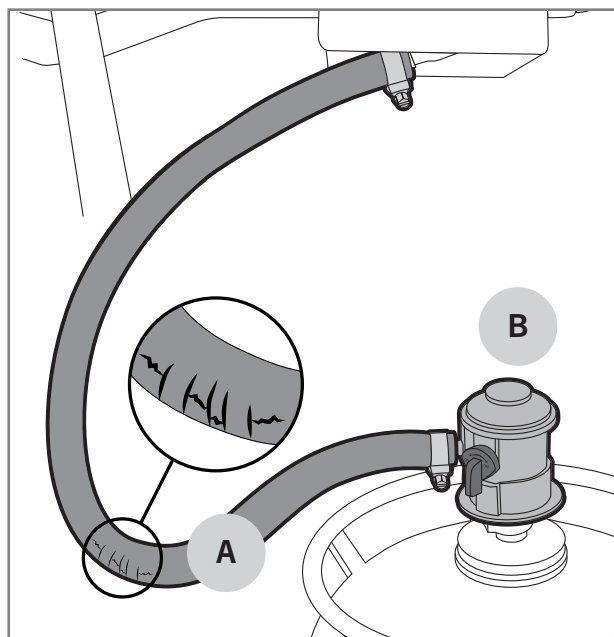
Åtgärder före varje användning

En trygg och regelrätt användning av ringbrännaren förutsätter några kontroller före varje användning. Gå noggrant igenom kontrollistan som finns nedan:




1. Säkerställ att ringbrännaren är rätt placerad och att det inte finns lättantändliga material eller lösningar i närheten av den.
2. Kontrollera att det inte finns sprickor eller revor i gasslangen (A).
3. Kontrollera att lågtrycksregulatorn är ordentligt fast (B).
4. Kontrollera att brännarna är rena från fett och marinader. På så sätt förhindras fettbränder.
5. Kontrollera att brännarens hål inte är täckta av insektbon eller spindelväv (C).
6. Kontrollera att grillställena och annan grillutrustning är rena.



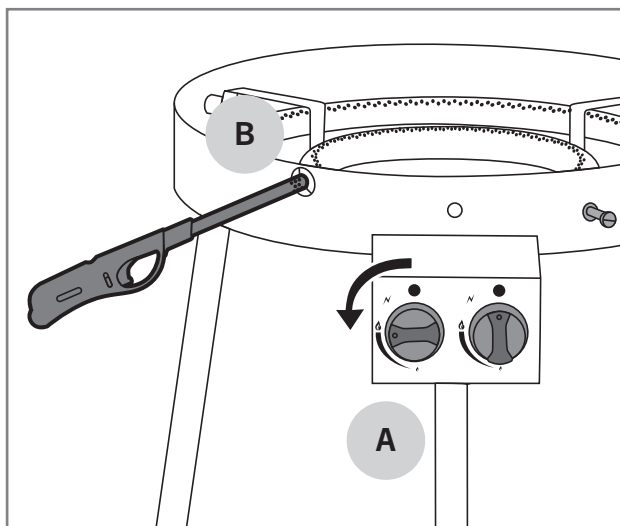
Använd inte ringbrännaren om gasslangen har skador eller delar fattas.



Att tända brännarna med en tändsticka eller en tändare med långt skaft

1. Öppna gasinmatning med lågtrycksreglage.
2. Tänd en lång tändsticka eller tändare med långt skaft.
3. Tryck brännarens kontrollknapp och sväng den till -läget (A).
4. Använd tändhålet (B) och för den långa tändstickan eller den långa tändaren cirka en centimeter bort från brännaren.
5. När den första brännaren är tänd kan den andra brännaren tändas genom att vrida reglaget moturs mellan  och .

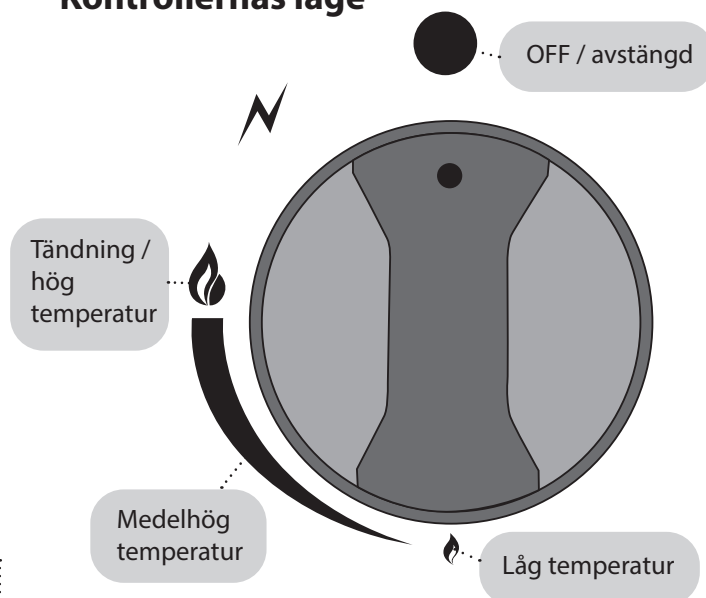
i Om brännaren inte tänds inom fem sekunder vrid på regelknappen i OFF-läge och försök att hitta en lösning med felsökningsguiden.



Att stänga av brännaren

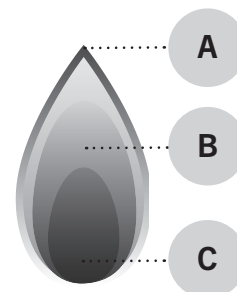
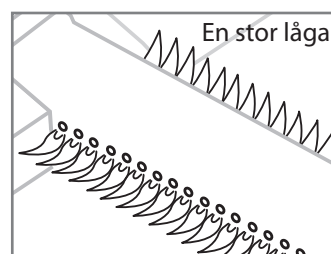
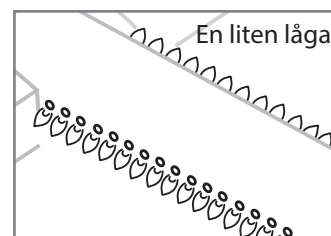
1. Stäng av gasinmatningen med lågtrycksreglage för att säkerställa att det inte finns gas kvar i ringbrännaren eller gasslangen.
2. Vrid kontrollknapparna i OFF-läget.
3. Lossa tryckregulatorn från gasflaskan.

Kontrollernas läge



Att kontrollera lågor

Kontrollera lågan alltid när du tänder ringbrännaren. Brännarna har färdigt justerats i fabriken på ett optimalt sätt men brännarens små hål lockar insekter att bygga bo och spindlar att väva nät i brännarna. När brännarna brinner ordentligt är endast lågornas spets ibland gula (A) och lågornas färg byter från ljus blå (B) till mörk blå (C) i nedåt riktning från spetsen.



SV

i Om lågorna inte brinner ordentligt, kontrollera och rengör brännaren. Om brännaren är skadad måste den bytas till en ny innan rinbrännaren används.

Nyttiga tips

Allmänna tips för grillning

Det är mycket lätt och avslappnande att grilla så länge du minns några små saker och utnyttjar dessa allmänna tips för grillning:

- **Grillen ska värmas upp ordentligt.** Om grillens halster och galler har värmts upp ordentligt hindrar det mat från att fastna och den bryner bättre.
- **Använd inte smutsiga redskap.** Gamla marinader och matrester kan lätt fastna i galler och mat som grillas. Rengör grillens galler och halster alltid efter varje användning. På det sättet är de färdiga för nästa gång.
- Säkerställ att alla redskap, kryddor och marinader samt kärl som behövs är i närheten innan du börjar grillningen.
- **Sväng köttet så lite som möjligt,** en gång räcker. När maten får vara tillräckligt länge på grillhalstret / -gallret får den en vacker brun yta.
- **Termometer hjälper!** En för lång grillning torkar maten och förstör smaksensationen. Det bästa resultatet nås genom att använda en stektermometer.
- **Låt köttet dra 10–20 minuter** innan du skär i / serverar det. När köttet drar sig jämnas temperaturen ut och lika mycket köttsaft rinner inte ut när du skär i köttet.

Marinader

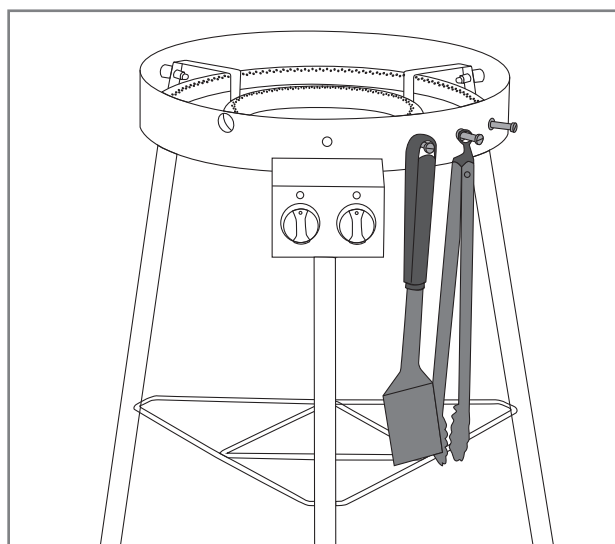
Det är mycket vanligt att använda marinader i grillning. Marinadernas syfte är att ge grillmaten den önskade smaken. Ändå får marinader maten att bränna sig fast i gallren eller halstren. Samtidigt kan oljiga marinader rinna på brännarna och få lågorna flamma upp onödigt eller till och med leda till fettbrand. Med dessa tips minskar du problem som orsakas av marinader:

1. Sträva efter att torka överflödigt marinad bort från maten innan du sätter maten i grillen.
2. Om du tillsätter marinad under grillningen använd alltid grillborste. Marinader får inte hällas över maten direkt från flaskan.
3. Hellre använd tormarinader under grillningen.

i Använd inte marinad som blev över när du marinerade rå mat för att marinera stekt mat. Eftersom då kan bakterier från det råa köttet sprida sig till den färdiga maten.

Krokar för tillbehör

Ringbrännaren har praktiska tillbehörskrokar så att du kan hålla de nödvändiga grilltillbehören inom räckhåll.



Att förhindra maten att fastna

Det är ett välbekant fenomen för grillare att maten fastnar i grillgallren / -halstrar. Här finns några tips som hjälper dig att undvika det:

1. Kom ihåg att förvärma grillen till lämplig värme.
2. Rengör grillgallren och -halstrar innan du lägger mat i grillen.
3. Pensla grillytan och maten med olja innan grillning.
4. Vänd inte maten för snabbt utan låt den brynas ordentligt.

Grillningsguide om temperaturer

Nedan finns en lista över vägledande anvisningar hur länge och i vilken temperatur de vanligaste ingredienserna grillas. Vind, regn, temperaturen utomhus och grillens renlighet kan påverka tillredningstiden.



Nöt

Ingrediens	Tjocklek / vikt	Grillningsmetod	Grillningstid
Entrecôte /ytterflébiff	ca 2 cm	Direkt hög värme	2,5 – 3,5 min. / sida
Entrecôte /ytterflébiff	ca 5 cm	Direkt hög värme Indirekt medelhög värme	2,5 min / sida 8 – 10 min.
En hel entrecôte	ca 1,5 kg	Direkt hög värme Indirekt medelhög värme	3 min. / sida 20 – 30 min.
Stek	ca 1,5 kg	Direkt medelhög värme Indirekt medelhög värme	3 – 4 min. / sida 30 – 40 min.
Hamburgerbiff	ca 2 cm	Direkt hög värme	2 – 3 min. / sida
Innertemperatur			
Röd – rosaröd		47 – 51 °C	
Medium		52 – 58 °C	
Välstekt - genomstekt		59 – 66 °C	



Gris

Ingrediens	Tjocklek / vikt	Grillningsmetod	Grillningstid
Filébiff, kotlett	ca 2 cm	Direkt hög värme	2 – 2,5 min. / sida
Entrecôte	ca 600 g	Direkt hög värme Indirekt medelhög värme	3 min. / sida 20 – 30 min.
Revbensspjäll / ribs	ca 1,5 kg	Indirekt medelhög värme Direkt hög värme	60 – 90 min. 4 min. / sida
Kassler	ca 3 cm	Direkt medelhög värme Indirekt medelhög värme	2,5 – 3 min. / sida 15 – 20 min.
Färskkorv	ca 400 g	Direkt låg värme	2 – 3 min. / sida
Innertemperatur			
Färdig filé		65 – 70 °C	
Färdiga övriga ingredienser		65 – 70 °C	

SV



Kyckling och kalkon

Ingrediens	Tjocklek / vikt	Grillningsmetod	Grillningstid
Bröstfilé	ca 200 g	Direkt medelhög värme	5 – 6 min. / sida
Klubba	ca 120 g	Direkt medelhög värme	5 – 6 min. / sida
Vingar	ca 500 g	Direkt medelhög värme Indirekt medelhög värme	6 – 10 min. 30 – 40 min.
En hel kyckling	ca 900 g	Indirekt medelhög värme	60 – 75 min.
Innertemperatur			
Genomstekt		75 °C	



Fisk

Ingrediens	Tjocklek / vikt	Grillningsmetod	Grillningstid
Tunn filé	ca 200 g	Direkt medelhög värme	2 – 3 min. / sida
Tjock filé	ca 120 g	Direkt medelhög värme	5 – 6 min. / sida
En hel fisk	ca 500 g	Indirekt medelhög värme	20 – 30 min.
Innertemperatur			
Rosa		45 – 50 °C	
Genomstekt		55 – 60 °C	

SV



Grönsaker

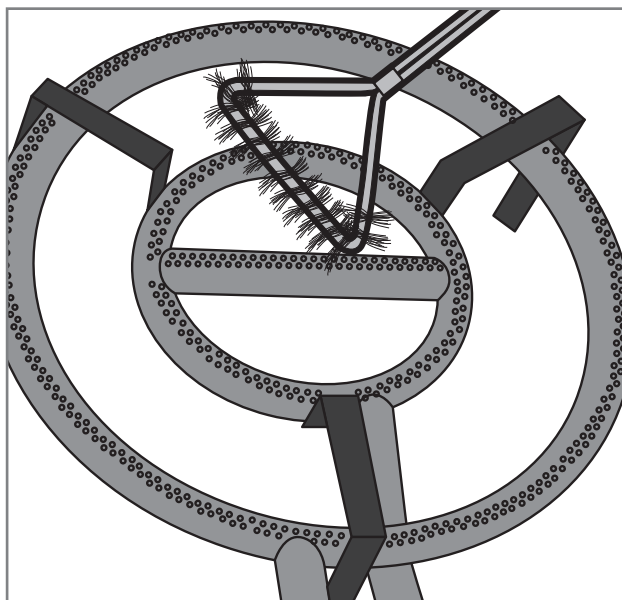
Ingrediens	Tjocklek / vikt	Grillningsmetod	Grillningstid
Mogen majs		Direkt medelhög värme	6 min.
Tomat		Direkt medelhög värme	6 min. / sida
Sparris		Direkt medelhög värme	3 – 5 min.
Potatisskivor		Direkt medelhög värme Indirekt medelhög värme	5 – 8 min. 10 – 15 min.
Rå potatis		Indirekt medelhög värme	45 – 60 min.

Rengöring och förvaring av grillen

Brännare

Apparatens brännare är de viktigaste för drift och uppvärmning, så deras renhet och skick bör kontrolleras regelbundet. Små hål i brännarna lockar insekter och spindlar att bygga bo i brännarna. Dessa blockeringar orsakar en ojämn och oren låga. Blockeringar kan leda till att lågan brinner utanför gasröret, vilket i sin tur kan leda till allvarliga skador på grillen. Gör på följande sätt för att rengöra brännarna:

1. Säkerställ att ringbrännaren är avstängd.
2. Använd en grillrengöringsborste i mässing för att rengöra brännarytorna.
3. Se till att hålen i glödlamporna är öppna och rena. Du kan t.ex. använda en tunn tråd.
4. Om brännaren är skadad eller kraftigt korroderad ska du sluta använda produkten eller byta ut brännaren mot en ny.
5. Kontrollera samtidigt att ventilmunstycket är rent och intakt.



Delar av stål

Följande allmänna riktlinjer kan användas för rengöring av ståldelar:

1. Rengör ståldelarna på ringbrännaren med Mustang Grill Cleaner, Mustang Grille Cleaner eller mildt diskmedel och en rengöringsduk.
2. Kom ihåg att torka de rena delarna noggrant.
3. För att rengöra kontrollpanelen och ytor med varningstexter får man inte använda rengöringsmedel eftersom den kan ta bort texter och övriga säkerhetsanvisningar.
4. Rengör alla grillens yttre ytor minst tre gånger per år för att undvika att smutsen fastnar i ytorna.
5. Testa alltid om ny rengöringsmedel lämpar sig till grillen på ett omärkbart ställe.

i Klor och salt kan orsaka rostbildning i grillen. Om grillen används vid havet eller i omedelbar närhet av en simbassäng ska grillen rengöras varje vecka.

Förvaring

Se dessa anvisningar när du håller en längre paus i grillning eller du vill förvara ringbrännaren t.ex. över vintern. Om brännaren förvaras på rätt sätt håller den längre och är i gott skick år efter år. Följ anvisningarna nedan när du ska förvara din ringbrännare:

1. Rengör ringbrännaren fullständigt i enlighet med bruksanvisningarna.
2. Tänd rinbrännaren och låt den värma upp i ca 15 minuter så att alla ståldelarna har torkat.
3. Låt ringbrännaren svalna.
4. Lossa tryckregulatorn från gasflaskan.
5. Förvara flaskan alltid utomhus och säkerställ att gasflaskan inte exponeras för hettka eller direkt solsken.
6. Förvara ringbrännaren i ett torrt förvaringsutrymme.

SV

Felsökning

Det kan uppstå funktionsfelar i alla grillar. Dessa fel är vanligen enkla att reparera. Om du inte hittar ett svar på din fråga i schemat nedan, kontakta försäljarbutiken.

Fel	Eventuell orsak	Lösning
Gasen strömmar inte	Lågtrycksreglaget är avstängd	Öppna gasmatningen genom reglaget i tryckregulatorn
	Lågtrycksreglaget är inte ordentligt fast i gasflaskan	Lossa lågtrycksreglage och fästa det om ordentligt
	Gasslangen eller tryckreglaget är defekta	Byt gasslangen eller tryckreglaget och utför läckagetestet
Brännaren tänds inte med en tändsticka eller tändare	Hållarna i brännaren är tilltäppta	Rengör brännarna enligt anvisningarna
	Brännarna inte är ordentligt anslutna till ventilerna	Kontrollera brännarnas montering och skick
Grillen värmer inte upp ordentligt	Brännarnas luftintag är förhindrat	Kontrollera och rengör brännarna
	Det finns inte tillräckligt med gas	Byt gasflaskan
	Gasmatningen är förhindrad	Säkerställ att gasslangen är hel och utan veck
Lågorna är ojämna, grillen brinner med helt gula lågor eller ryker	Brännarna får inte tillräckligt med luft	Rengör brännarna enligt anvisningarna
	Matrester, salt eller marinader har fastnat i brännarnas yta	Rengör brännarna enligt anvisningarna
Lågorna slocknar	För hård vind	Flytta grillen till en plats med skydd mot vinden
	Det finns inte tillräckligt med gas	Byt gasflaskan
Lågor syns utanför brännarna	Det finns stopp i brännarna	Kontrollera och rengör brännarna
	Hård vind	Flytta grillen till en plats med skydd mot vinden
Tryckreglage surrar / susar	Temperaturen utomhus är hög	Inga åtgärder behövs En tillfällig situation
	En hel gasflaska	

SV

Garanti

Mustang-gasgrillar och dess delar har en minst 24 månaders tillverknings- och materialgaranti. Ändå finns det modellvisa skillnader mellan garantivillkoren. Uppdaterade garantivillkoren och -tider finns på vår webbplats

mustang-grill.com

Garantin gäller endast när inköpskvittot visas, där namnet på försäljarens butik och inköpsdatum ska ingå.

SV



MUSTANG

NO

Monteringsanvisninger og bruksanvisning

Velkommen til Mustang-grillens verden

Vi er glade for at du endte opp med å velge en gassgrill fra Mustang. Mustang ønsker å være din grillkompis, og sikre at grillopplevelsen blir som du alltid har drømt om. Mustang ble til av ønsket om å nyte stressfri og avslappende matlaging sammen med familie og venner, og det er nettopp denne ideen vi også ønsker å gi deg.

Griller og tilbehør fra Mustang er nøye designet og utført, og vi er stolte av å representere produktutvalget vårt. Vår lange erfaring og kompetanse kan ses i alle våre produkter. De inkluderer alle viktige funksjoner. Vi er sikre på at denne grillen vil gi deg glede i lang tid, så lenge du husker å vedlikeholde og rengjøre grillen i henhold til instruksjonene i denne håndboken.

Et omfattende grillproduktutvalg

Mustang er et merke som eies av det finske selskapet Tammer Brands Oy. Mustang tilbyr alle apparater, rekvisita, tilbehør og reservedeler som trengs for grilling, samt et omfattende produktutvalg for å røyke mat og lage pizza. Vi kjenner grillkulturen inn og ut, og kan på den måten sikre at du har tilgang til de mest egnede og moderne produktene på markedet. Mustang er det eneste merket du trenger for en vellykket grillfest.

Kundeservice:

Tammer Brands Oy,
tlf. +358 3 252 1111.
Viinikankatu 36,
FI-33800 Tampere, FINLAND

TAMMER
BRANDS | EST 1954

mustang-grill.com



Les håndboken før du bruker grillen,
og behold den til senere bruk.

NO

Følg oss på sosiale medier



mustanggrill

Innholdsfortegnelse

Monteringsanvisning	3
Før du starter monteringen	5
Sikkerhetsinstruksjoner og advarsler	64
Plassering av ringbrenneren	64
Sikkerhetsinstruksjoner relatert til gass	64
Generelle sikkerhetsinstruksjoner	65
Koble gass til ringbrenneren	66
Informasjon om flytende gass	66
Montering av gassslangen	66
Montering av lavtrykksregulatoren	67
Test for lekkasjer av flytende gass	67
Bruk av ringbrenneren	68
Tiltak som skal utføres før hver bruk	68
Tenn brennerne med en fyrstikk eller lang lighter	69
Slukke brennerne	69
Bryterstillinger	69
Kontroller flammene	69

NO

Nyttige tips	70
Generelle instruksjoner for grilling	70
Å hindre at maten fester seg til grillen	70
Marinader	70
Kroker for tilbehør	70
Veiledning for grilltemperaturer	71
Rengjøring og oppbevaring	73
Brennere	73
Deler av stål	73
Lagring	73
Feilsøking	74
Garanti	75

NO

Sikkerhetsinstruksjoner og advarsler

Når du bruker denne ringbrenneren, er du forpliktet til å lese nøye gjennom og ta hensyn til advarslene og sikkerhetsinstruksjonene i denne bruksanvisningen før du tar apparatet i bruk. Dette utstyret er CE-merket i henhold til gjeldende forskrifter.

Symbolforklaringer:




Plassering av ringbrenneren

 Denne enheten er kun beregnet for utendørs bruk og må aldri brukes innendørs eller i et lukket rom. Se punktene nedenfor.

- Bruk ringbrenneren kun utendørs.
- Ikke bruk ringbrenneren ved siden av en vegg, i en garasje, bobiler eller tilhenger eller et annet lukket rom, eller innendørs.
- Kontroller at det er minst én meter med tom plass på hver side av ringbrenneren og over den.
- Sørg for å ha et brannteppe/brannslukningsapparat og et førstehjelpsskrin tilgjengelig i nærheten av ringbrenneren.
- Ringbrenneren må ikke plasseres på eller i nærheten av ømfintlige overflater, da den kan sprute og dryppe fett og marinader under normal bruk.
- Kontroller at både ringbrenneren og gassflasken står på et jevnt underlag.

Sikkerhetsinstruksjoner relatert til gass

 Bare et servicefirma med godkjenning for gassinstallasjon kan vedlikeholde og justere hovedventilene, dysene og gasstappene på grillen. Påse at du gjør følgende før du begynner å grille.

- Slå alltid av gassstrømmen fra gassflasken etter bruk, og fjern lavtrykksregulatoren fra glassflasken.
- Håndter flasken med flytende gass forsiktig: Ikke slipp eller velt den. Ikke oppbevar flasker med flytende gass på steder der temperaturen kan overstige +50 °C.
- Kontroller alltid tilstanden til gassslangen før bruk.
- Utfør en lekkasjetest regelmessig i henhold til instruksjonene. En lekkasjetest er spesielt viktig når ringbrenneren ikke har vært i bruk på lenge, eller når du har skiftet ut en gassflaske, lavtrykksregulator eller slange.
- Hvis du kjenner en sterk gasslukt, må du umiddelbart slå av gasstilførselen og sette alle kontroller på OFF. Utfør deretter en lekkasjetest og reparer tilkoblingene. Hvis du ikke finner feilen, må du kontakte serviceverkstedet eller forhandleren.
- Bruk aldri åpen flamme til å teste for gasslekkasjer.
- Ikke koble fra gasslangen eller lavtrykksregulatoren når ringbrenneren er i bruk.

NO

Generelle sikkerhetsinstruksjoner



Bruk av ringbrenneren til andre formål enn det den er beregnet for, kan utgjøre en fare. Det er forbudt å gjøre konstruksjonsmessige endringer på ringbrenneren, selv de minste. Se hva du bør ta hensyn til nedenfor.

- Følg monteringsanvisningen nøye, og sørg for at ingen deler ikke er installert under monteringen. Hvis du ikke følger instruksjonene eller ikke har montert alle delene, kan det oppstå problemer ved bruk av apparatet. Brukeren er ansvarlig for at ringbrenneren monteres korrekt.
- Les bruksanvisningen før du tar i bruk ringbrenneren, og ta vare på den for senere bruk.
- Ringbrenneren blir varm under bruk, så vær spesielt forsiktig hvis det er barn, eldre mennesker eller kjæledyr i nærheten.
- Det må ikke befinne seg brennbart materiale, væsker eller gassflasker som ikke er koblet til brenneren, i umiddelbar nærhet av ringbrenneren.
- Ikke len deg over ringbrenneren når du tenner den.
- Ringbrenneren må ikke etterlates uten tilsyn under bruk.
- Ikke flytt ringbrenneren mens den er i bruk.
- Bruk varmfaste votter når du bruker ringbrenneren.
- Sørg for at ringbrenneren er ren for fett og marinader.
- Ikke bruk ringbrenneren hvis den ikke fungerer normalt.
- Ikke la barn bruke ringbrenneren.
- Alkohol, reseptbelagte medisiner og rusmidler av alle slag kan påvirke brukerens evne til å bruke ringbrenneren på en sikker og hensiktsmessig måte.

Koble gass til ringbrenneren

Informasjon om flytende gass

Før du kan bruke ringbrenneren, må du kjøpe en flaske med flytende gass, en lavtrykksregulator og en gassslange. **Disse er ikke inkludert i leveransen.**

Liquified Petroleum Gas (LPG) er et ekstremt brennbart stoff som er lagret i gassflasker under trykk. Flasker med flytende gass er tilgjengelige som 5 kg–11 kg. Kontroller at flasken ikke er smusset eller støvete, og at ventilen ikke er skadet. Du må alltid bære og transportere flasker med flytende gass i oppreist stilling og sikkert festet. For husholdningsbruk skal en gassflaske ha en maksimal høyde på 615 mm og diameter på 310 mm.

Gassen ledes fra sylindren til ringbrenneren gjennom en lavtrykksregulator og en slange. Lavtrykksregulatoren bidrar til at gassen strømmer jevnt inn i ringbrenneren.

⚠ Trykkregulatoren som skal festes til flasken må ikke justeres, og driftstrykket må være 30 mbar.

⚠ Lengden på gassflasken kan være maksimalt 1,2 m, og tykkelsen maksimalt 10 mm (merk: I Sverige, maks. 8 mm).

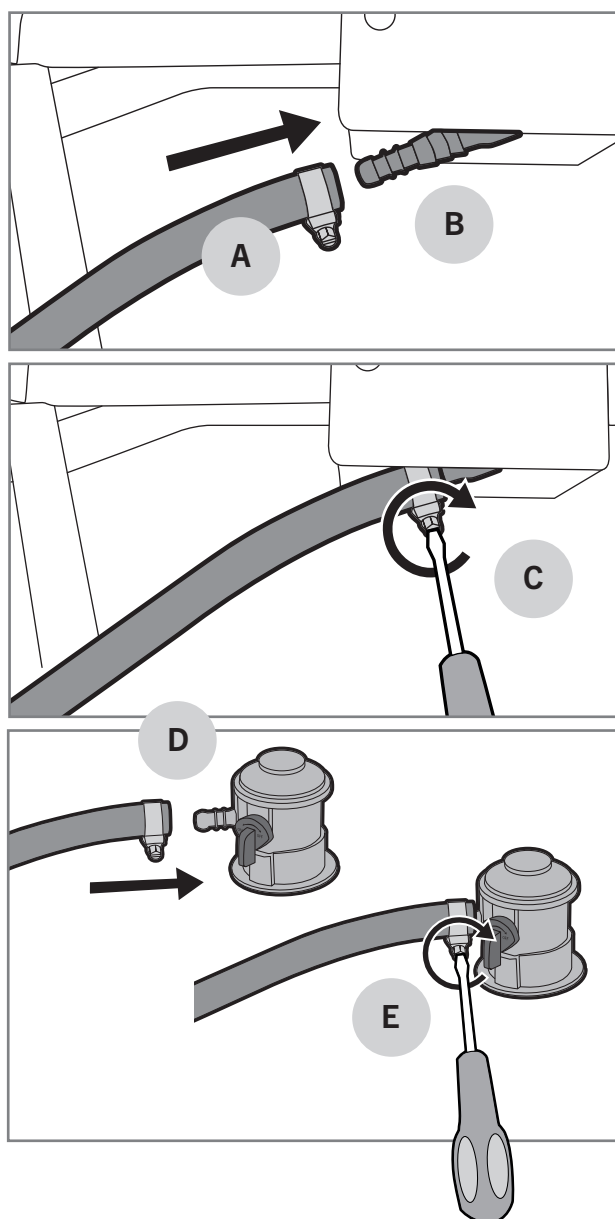
i Trykkregulatoren må produseres i henhold til EN16129-standarden. I trykkregulatoren er driftstrykket merket i henhold til det nominelle trykket, 29 mbar.

i Gassslangen må produseres i henhold til EN16436-standarden.

NO

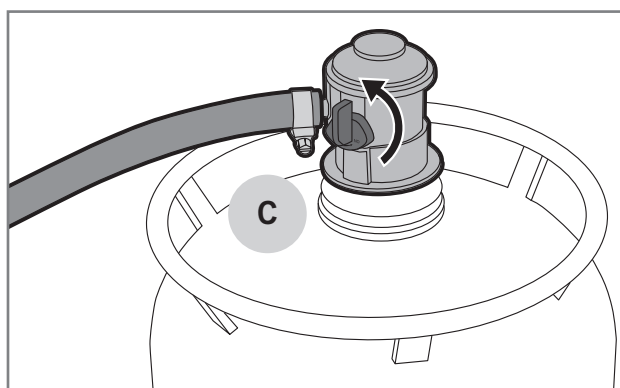
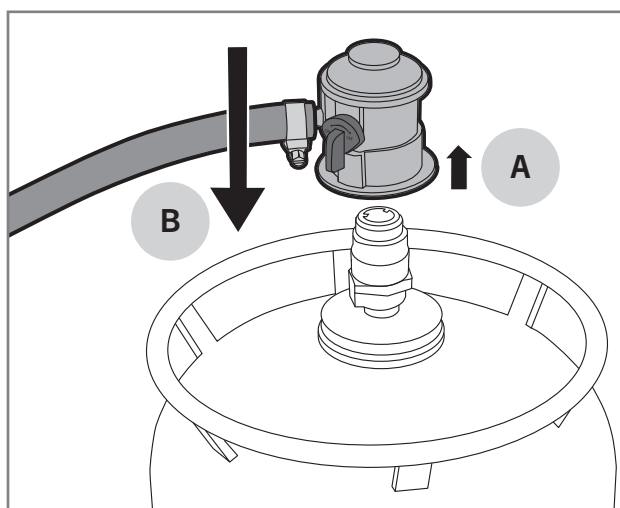
Montering av gassslangen

1. Kontroller tilstanden til gassslangen.
2. Kontroller at alle kontrollknappene på ringbrenneren er stilt på AV.
3. Sett gassslangen (A) godt inn i slangekoblingen (B), så langt inn som den går.
4. Fest slangen til slangekoblingen ved hjelp av en slangeklemme (C).
5. Sett den andre enden av gassslangen inn i slangekoblingen i lavtrykksregulatoren (D).
6. Fest slangen til slangekoblingen ved hjelp av en slangeklemme (E).



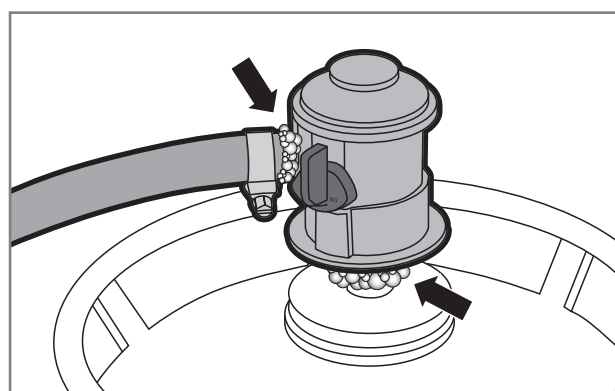
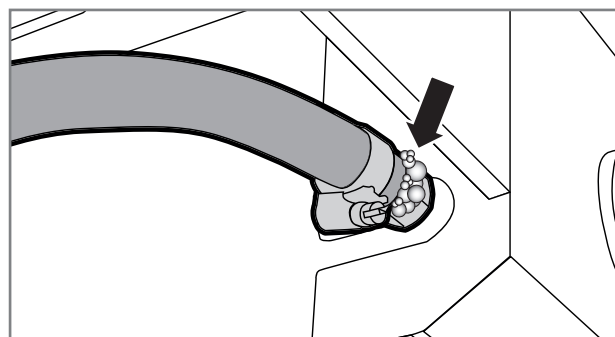
Montering av lavtrykksregulatoren

1. Kontroller tilstanden til lavtrykksregulatoren.
2. Fest lavtrykksregulatoren til flasken ved å trekke låseringen opp (A) og trykke regulatoren inn i flasken samtidig (B).
3. Fest godt ved å trekke regulatoren opp med kraft.
4. Åpne gasstrømmen fra regulatoren sakte for at trykket skal jevnes ut (C).



3. Fukt alle ventiler, slangetilkoblinger, regulator-tilkoblinger, flasketilkoblinger og sveisesømmer med såpevann (30 % oppvaskmiddel eller flytende såpe og 70 % vann). Du kan fukte delene ved å vaske over eller spraye dem.
4. Se nøye etter bobler. Bobler indikerer en gasslekkasje.
5. Hvis det oppstår bobler, må gasstrømmen stenges av og koblingene festes i de delene der du ser bobler.
6. Hvis det vises bobler på midten av slangen eller i flasken, må du bytte den aktuelle delen.
7. Åpne gasstrømmen og utfør lekkasjetesten på nytt.
8. Skyll såpevann av med rent vann for å hindre korrosjon.

! Ikke bruk ringbrenneren hvis du ikke kan reparere gasslekkasjene. I så fall må du koble lavtrykksregulatoren fra gassflasken og kontakte service/forhandler.



Test for lekkasjer av flytende gass

Kontroll av potensielle gasslekkasjer må utføres hver gang flasken, regulatoren eller slangen skiftes ut. Lekkasjetesten må også utføres regelmessig en gang i året, og spesielt etter lengre lagringsperioder. Utfør lekkasjetesten ved å følge instruksjonene nedenfor.

1. Kontroller at alle kontrollknappene på ringbrenneren er stilt på AV.
2. Åpne lavtrykksregulatoren.

NO

Bruk av ringbrenneren

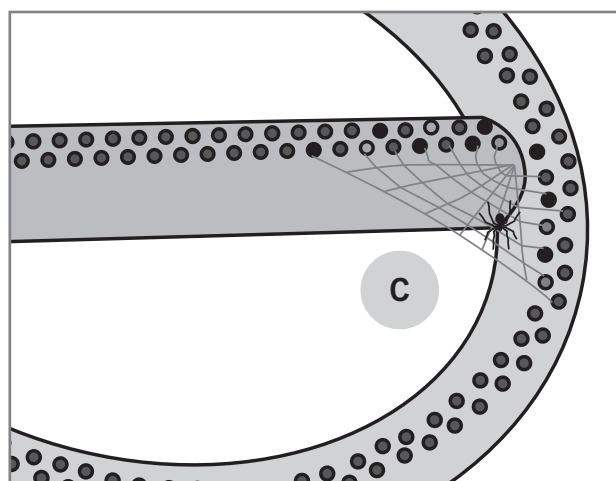
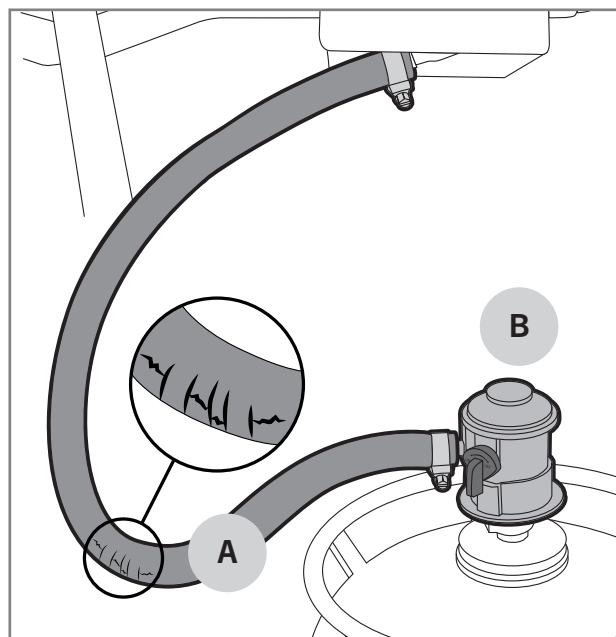
Tiltak som skal utføres før hver bruk

For å bruke ringbrenneren på en sikker og riktig måte, er det nødvendig med noen kontroller før hver bruk. Vennligst gå nøye gjennom sjekklisten nedenfor:


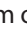
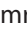
1. Kontroller at ringbrenneren er riktig plassert og at det ikke finnes brennbare materialer eller væsker i umiddelbar nærhet.
2. Kontroller at gassslangen ikke er sprukket eller revnet (A).
3. Kontroller at lavtryksregulatoren er godt festet (B).
4. Kontroller at brennerne er rene for fett og marinader. Dette vil forhindre fettbranner.
5. Kontroller at brennerhullene ikke er dekket av insektsreir eller -nett (C).
6. Kontroller at grillristene og annet grillutstyr er rene.



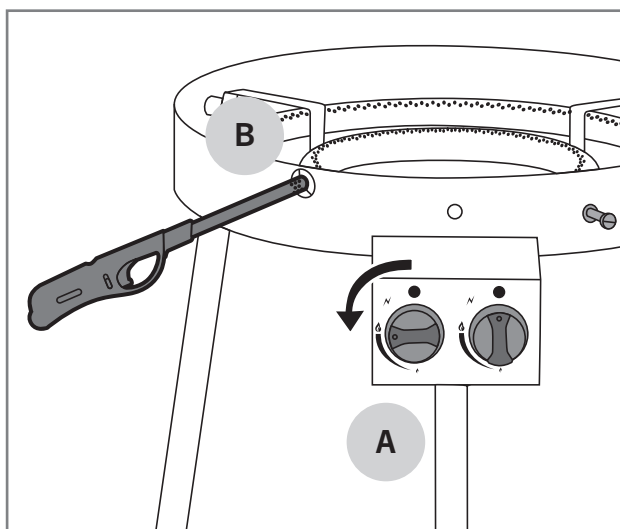
Ikke bruk ringbrenneren hvis gassslangen er skadet eller deler mangler.



Tenn brennerne med en fyrstikk eller lang lighter

1. Åpne gasstrømmen ved å bruke lavtryksregulatoren.
2. Tenn med en lang fyrstikk eller lighter.
3. Trykk på kontrollknappen på venstre brenner og vri den til  (A).
4. Bruk tenningshullet (B) til å føre den lange fyrstikken eller den lange lighteren ca. én centimeter bort fra brenneren.
5. Når den første brenneren er tent, kan den andre brenneren tennes ved å vri betjeningsenheten mot klokken mellom området  og .

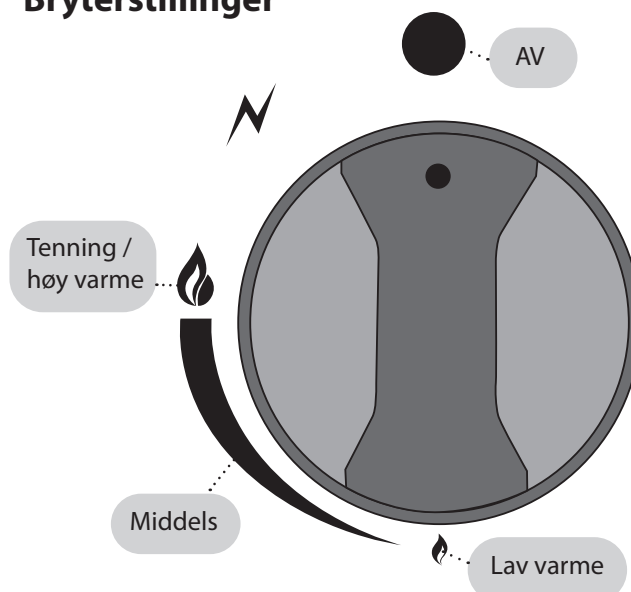
i Hvis brenneren ikke tennes i løpet av fem sekunder, vrir du kontrollbryteren til AV og prøver å finne en løsning fra feilsøkingstabellen.



Slokke brennerne

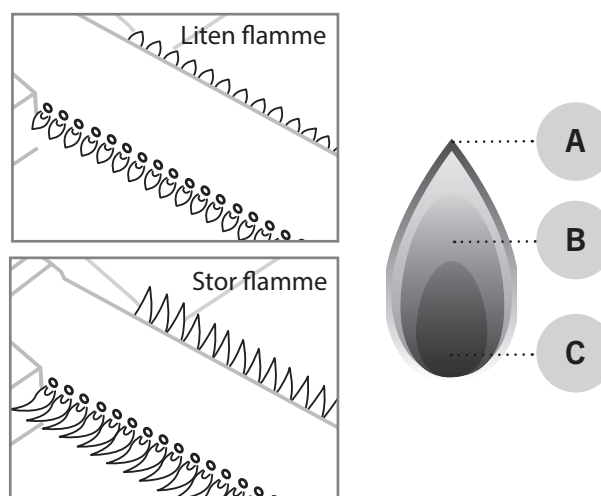
1. Steng av gasstrømmen fra lavtryksregulatoren for å sikre at det ikke er gass igjen i ringbrenneren eller gassslangen.
2. Vri kontrollbryteren til AV.
3. Lukk hetten på grillen.
4. Kople trykkregulatoren til gassflasken.

Bryterstillinger



Kontroller flammene

Kontroller alltid flammen når du tenner ringbrenneren. Brennerne har blitt optimalisert på fabrikken, men de små hullene på dem tiltrekker insekter som kan lage reir og nett på brennerne. Når brennerne brenner riktig, er bare tuppen av flammen tidvis gul (A), og flammens farge endres fra lyseblå (B) til mørkeblå fra toppen og ned (C).



i Hvis flammen ikke brenner som den skal, må brenneren kontrolleres og rengjøres. Hvis brenneren er skadet, må den skiftes ut før ringbrenneren kan brukes videre.

Nyttige tips

Generelle instruksjoner for grilling

Det er veldig enkelt og avslappende å grille når du følger noen få regler og tar i bruk disse generelle grillinstruksjonene.

- **Grillen må varmes opp ordentlig.** Når ristene er tilstrekkelig varme, klistrer maten seg mindre og det du griller får en skikkelig grillet overflate.
- **Ikke grill på skitne overflater.** Gamle marinader og matrester fester seg lett til risten og maten. Rengjør grillen og ristene etter hver bruk. På denne måten er de klare for neste grilløkt.
- Sørg for at alt av nødvendig tilbehør, krydder, marinader og kopper og kar er i nærheten før du begynner å grille.
- **Grill med hetten lukket så ofte som mulig.** Når du griller med hetten lukket, reduseres ikke grillens temperatur unødvendig, og grillingen går raskere.
- **Vend kjøttet så lite som mulig,** én gang er tilstrekkelig. Når maten får lov til å stekes sakte på grillen/risten, får den en pent stekt overflate.
- **Bruk et termometer!** Hvis du griller maten for lenge blir maten tørr og mister smaken. Du kan oppnå de beste resultatene hvis du i tillegg bruker et kjøttermometer.
- **La kjøttet hvile i 10–20 minutter** før du skjærer i det / serverer det. Mens kjøttet hviler, blir temperaturen jevnere og saften flyter ikke ut for mye når kjøttet blir skjært i.

Marinader

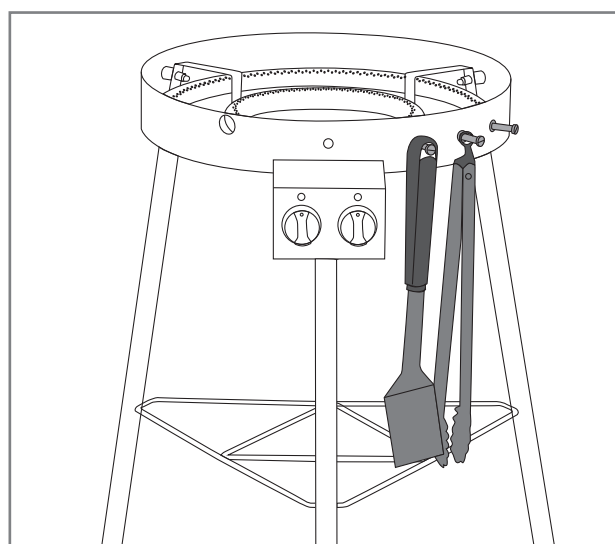
Bruk av marinader er svært vanlig i grillingens verden. Formålet med marinader er å krydre opp den grillete maten. Marinader kan imidlertid også føre til at maten fester seg til grillristen. På samme måte kan oljebaserte marinader renne ned på brennerne og føre til at flammen blusser opp, eller til og med forårsake fettbranner. Med disse enkle tipsene kan du redusere problemene forbundet med marinader.

1. Prøv å tørke bort overflødig marinade fra maten før du legger den på grillen.
2. Hvis du pensler på marinade under grillingen, må du alltid bruke en matpensel. Ikke hell marinaden på maten rett fra en flaske.
3. Velg gjerne tørr marinade som skrubbes på under grillingen.

i Ikke bruk rester av marinade fra tilberedning av rått kjøtt til tilberedning av stekt mat. I dette tilfellet vil bakteriene fra det rå kjøttet overføres til den stekte maten.

Kroker for tilbehør

Ringbrenneren har praktiske tilbehørskroker slik at du kan ha det nødvendige grilltilbehøret innen rekkevidde.



NO

Å hindre at maten fester seg til grillen

Mat som fester seg til grillen eller risten er et vanlig fenomen for alle grillkokker. Her er noen tips for å unngå at maten til stadighet henger fast.

1. Husk å forvarme grillen slik at den er tilstrekkelig varm.
2. Rengjør ristene før du legger mat på grillen.
3. Smør olje både på grilloverflaten og maten som skal grilles før du legger den på grillen.
4. Ikke snu maten på grillen for raskt. La overflaten grilles ordentlig.

Veiledning for grilltemperaturer

Nedenfor finner du en liste over de veiledende grilltidene og temperatuene for de vanligste matvarene. Elementer som vind, regn, utetemperatur og grillens renslighet kan påvirke tiden som kreves.



Biff

Ingrediens	Tykkelse/vekt	Grillmetode	Grilltid
Indrefilet/mørbradbiff	ca. 2 cm	Direkte, høy varme	2,5–3,5 min per side
Indrefilet/mørbradbiff	ca. 5 cm	Direkte, høy varme Indirekte, middels varme	2,5 min per side 8–10 min
Hel indrefilet	ca. 1,5 kg	Direkte, høy varme Indirekte, middels varme	3 min per side 20–30 min
Stek	ca. 1,5 kg	Direkte, middels varme Indirekte, middels varme	3–4 min per side 30–40 min
Hamburger	ca. 2 cm	Direkte, høy varme	2–3 min per side
Kjernetemperatur			
Lite stekt – medium stekt		47–51 °C	
Medium		52–58 °C	
Nesten gjennomstekt – godt stekt		59–66 °C	



Svinekjøtt

Ingrediens	Tykkelse/vekt	Grillmetode	Grilltid
Filet, kotelett	ca. 2 cm	Direkte, høy varme	2–2,5 min per side
Indrefilet	ca. 600 g	Direkte, høy varme Indirekte, middels varme	3 min per side 20–30 min
Ribbe	ca. 1,5 kg	Indirekte, middels varme Direkte, høy varme	60–90 min 4 min per side
Svinekam	ca. 3 cm	Direkte, middels varme Indirekte, middels varme	2,5–3 min per side 15–20 min
Rå pølse	ca. 400 g	Direkte, lav varme	2–3 min per side
Kjernetemperatur			
Godt stekt filet		65–70°C	
Godt stekt, andre ingredienser		65–70°C	

NO



Kylling og kalkun

Ingrediens	Tykkelse/vekt	Grillmetode	Grilltid
Brystfilet	ca. 200 g	Direkte, middels varme	5–6 min per side
Lår	ca. 120 g	Direkte, middels varme	5–6 min per side
Kyllingvinger	ca. 500 g	Direkte, middels varme Indirekte, middels varme	6–10 min 30–40 min
Hel kylling	ca. 900 g	Indirekte, middels varme	60–75 min
Kjernetemperatur			
Godt stekt		75°C	



Fisk

Ingrediens	Tykkelse/vekt	Grillmetode	Grilltid
Tynn filet	ca. 200 g	Direkte, middels varme	2–3 min per side
Tykk filet	ca. 120 g	Direkte, middels varme	5–6 min per side
Hel fisk	ca. 500 g	Indirekte, middels varme	20–30 min
Kjernetemperatur			
Rosé		45–50°C	
Godt stekt		55–60°C	



Grønnsaker

NO

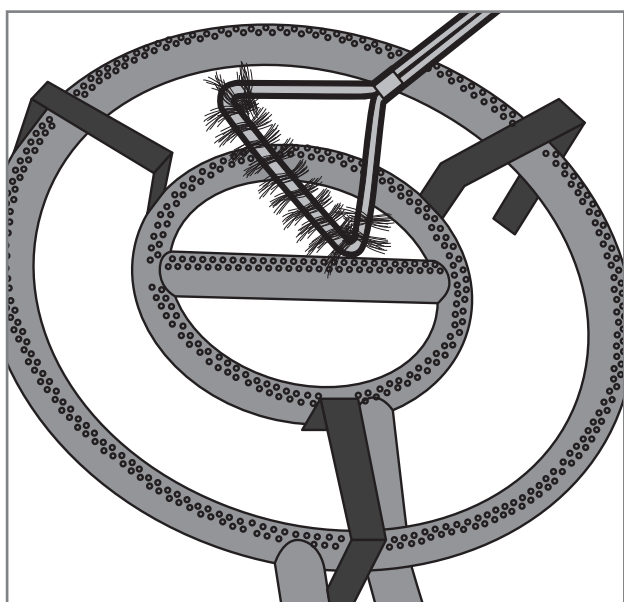
Ingrediens	Thickness/weight	Grillmetode	Grilling time
Maiskolbe (kokt)		Direkte, middels varme	6 min
Tomat		Direkte, middels varme	6 min per side
Asparges		Direkte, middels varme	3–5 min
Tomatskiver		Direkte, middels varme Indirekte, middels varme	5–8 min 10–15 min
Rå potet		Indirekte, middels varme	45–60 min

Rengjøring og oppbevaring

Brennere

Apparatets brennere er de viktigste for drift og oppvarming, så deres renhet og tilstand bør kontrolleres regelmessig. Små hull i brennerne tiltrekker seg insekter og edderkopper som lager reir i brennerne. Disse blokkeringene fører til en ujevn og uren flamme. Blokkeringene kan føre til at flammen brenner utenfor gassrøret, noe som igjen kan forårsake alvorlige skader på grillen. Rengjør brennerne ved å følge instruksjonene nedenfor:

1. Kontroller at ringbrenneren er slått AV.
2. Bruk messingbørsten som er beregnet for griller, til å rengjøre brenneroverflatene.
3. Kontroller at brennerhullene er åpne og rene. Du kan bruke en tynn ståltråd til dette.
4. Hvis brenneren er skadet og/eller sterkt korrodert, må du slutte å bruke produktet eller bytte ut brenneren med en ny.
5. Kontroller samtidig at ventildysen er ren og intakt.



Deler av stål

Følgende generelle retningslinjer kan brukes for rengjøring av ståldeler:

1. Rengjør ståldelene på ringbrenneren med Mustang Grill Cleaner, Mustang Grille Cleaner eller et mildt oppvaskmiddel og en rengjøringsklut.
2. Ikke glem å tørke de rengjorte delene grundig.
3. Ikke bruk rengjøringsmidler til å rengjøre kontrollpanelene og overflatene med varselsmerker, da de kan fjerne teksten eller andre etiketter.
4. Rengjør alle grillens ytre overflater minst tre ganger i året, slik at flekker ikke fester seg til overflatene.
5. Test alltid om et nytt vaskemiddel egner seg ved å påføre det på et lite synlig sted.

i Klor og salt kan føre til at grillen ruster. Hvis grillen brukes i umiddelbar nærhet av sjøvann eller et basseng, må grillen rengjøres ukentlig.

Lagring

Se disse instruksjonene når du tar en lengre pause fra grillingen eller for eksempel vil lagre en ringbrenner for vintersesongen. Ved riktig oppbevaring vil brenneren vare lenger og holde seg i god stand år etter år. Følg instruksjonene nedenfor når du skal oppbevare ringbrenneren:

1. Rengjør ringbrenneren i henhold til anvisningene i brukerhåndboken.
2. Tenn brenneren og la den varme opp i ca. 15 minutter, når alle ståldelene er tørre.
3. La ringbrenneren kjøle seg ned.
4. Fjern lavtrykksregulatoren fra gassflasken.
5. Oppbevar alltid gassflasken utendørs og sørg for at den ikke utsettes for varme eller sollys.
6. Oppbevar ringbrenneren på et tørt sted.

NO

Feilsøking

Det kan oppstå feil på alle griller. Disse funksjonsfeilene er vanligvis lette å løse. Hvis du ikke finner en løsning på problemet i tabellen nedenfor, kan du kontakte selgeren.

Problem	Mulig årsak	Løsning
Gassen strømmer ikke.	Lavtrykksregulatoren er slått av.	Start gasstrømmen på lavtrykksregulatoren.
	Lavtrykksregulatoren er ikke riktig festet til gassflasken.	Fjern lavtrykksregulatoren og fest den forsiktig på nytt.
	Gassslangen eller trykkregulatoren er defekt.	Skift gassslangen eller trykkregulatoren og utfør lekkasjetesten.
Brenneren tennes ikke med en fyrstikk eller lighter.	Brennerens hull er blokkert.	Rengjør brennerne i henhold til instruksjonene.
	Brennerne er ikke ordentlig festet til ventilene.	Kontroller monteringen og tilstanden til brennerne.
Grillen varmes ikke ordentlig opp.	Lufttilførselen til brennerne er blokkerte.	Kontroller og rengjør brennerne.
	For lite gass.	Skift ut gassflasken.
	Gasstrømmen er blokkert.	Kontroller at gassslangen er intakt og ikke vridd.
Flammen er ujevn, helt gul eller produserer røyk.	Brennerne får ikke nok luft.	Rengjør brennerne i henhold til instruksjonene.
	Det er mat, salt eller marinade på brenneroverflaten.	Rengjør brennerne i henhold til instruksjonene.
Flammen slukkes stadig.	Vinden er for sterk.	Flytt grillen bort fra vinden.
	Lavt gassnivå.	Skift ut gassflasken.
Flammene er synlige utenfor brennerne.	Noe som blokkerer brennerne.	Kontroller og rengjør brennerne.
	Sterk vind.	Flytt grillen bort fra vinden.
Trykkregulatoren suser eller summer.	Varm utetemperatur.	Ingen handlinger nødvendig. En forbigående tilstand.
	Full gassflaske.	

NO

Garanti

Gassgriller fra Mustang og tilhørende komponenter har en produksjons- og materialgaranti på minimum 24 måneder. Vilkårene i garantien varierer imidlertid etter modell. Du finner de oppdaterte garantivilkårene og -periodene på nettstedet vårt

mustang-grill.com

For å kunne følge opp eventuelle garantisaker, må du ha en kvittering som angir kjøpssted og -dato.

NO



MUSTANG

DA

Samlings- og betjeningsinstruktioner

Velkommen til Mustangs grillverden

Vi er glade for, at du endte med at vælge en gasgrill fra Mustang. Mustang vil være sin grillmakker og sikre dig en grilloplevelse, du kun har drømt om. Mustang blev skabt ud fra ønsket om at opnå afslappet madlavning uden hastværk med familie og venner, og det er den idé, vi også gerne vil tilbyde dig.

Mustang-grill og -tilbehør er omhyggeligt designet og udført, og vi er stolte over af repræsentere dem. Vores lange erfaring og store ekspertise gennemsyrer alle vores produkter. Det omfatter alle vigtige funktioner og egenskaber. Vi er sikre på, at denne grill giver dig lang tids fornøjelse, så længe du husker at vedligeholde og rengøre grillen i henhold til instruktionerne i denne manual.

Det største udvalg af grillprodukter

Mustang er et mærke ejet af den finske virksomhed Tammer Brands Oy. Mustang tilbyder alle nødvendige apparater, artikler, tilbehør og reservedele til grillstegning samt et stort produktudvalg til rygning af madvarer og bagning af pizza. Vi kender grillkulturen både indefra og udefra, så vi kan sikre dig, at du får adgang til de mest velegnede og moderne produkter. Mustang er det eneste mærke, du har brug for, til en succesfuld grillaften.

Eftersalgsservice

Tammer Brands Oy,
tlf. +358 3 252 1111
Viinikankatu 36,
33800 Tampere, Finland

TAMMER
BRANDS | EST 1954

mustang-grill.com



Læs manualen før brug af grillen,
og gem den til senere brug.

DA

Følg os på sociale medier



mustanggrill

Indholdsfortegnelse

Samlingsvejledning	3
Inden du begynder at samle produktet	6
Sikkerhedsinstruktioner og advarsler	80
Placering af ringbrænderen	80
Gasrelaterede sikkerhedsinstruktioner	80
Generelle sikkerhedsinstruktioner	81
Tilslutning af gas til ringbrænderen	82
Oplysninger om flydende gas	82
Montering af gasslangen	82
Montering af lavtryksregulatoren	83
Test for lækager med flydende gas	83
Brug af ringbrænder	84
Foranstaltninger før hver brug	84
Tænding af brændere med en tændstik eller langhalset lighter	85
Slukning af brænderne	85
Knappositioner	85
Kontrol af flammerne	85

DA

Nyttige tips	86
Generelle instruktioner for grillstegning	86
Forhindring af fastsiddende madvarer	86
Marinader	86
Kroge til tilbehør	86
Guide til grilltemperaturer	87
Rengøring og opbevaring af grillen	89
Brændere	89
Dele af stål	89
Opbevaring	89
Fejlfinding	90
Garanti	91

Sikkerhedsinstruktioner og advarsler

Når du begynder at bruge denne ringbrænder, forpligter du dig til at læse og være opmærksom på advarsler og sikkerhedsinstruktioner i denne manual, før du bruger apparatet. Dette udstyr er CE-mærket i overensstemmelse med gældende regler.

Symbolforklaring:



FARE!



BEMÆRK!

Placering af ringbrænderen



Denne enhed er udelukkende beregnet til brug udendørs. Den må aldrig anvendes indendørs eller i lukkede rum. Observer nedenstående ting.

- Brug kun ringbrænderen udendørs.
- Undlad at bruge ringbrænderen op ad en væg, i en garage, campingvogn eller anhænger eller i et andet lukket rum eller indendørs.
- Sørg for, at der er mindst én meters fri afstand på hver side af ringbrænderen og over den.
- Sørg for at have et brandtæppe/ildslukker og et førstehjælpssæt ved hånden i nærheden af ringbrænderen.
- Ringbrænderen må ikke placeres på eller i nærheden af følsomme overflader, da den kan sprøjte og dryppe fedt og marinader under normal brug.
- Sørg for, at både ringbrænderen og gasflasken står på en vandret overflade.

Gasrelaterede sikkerhedsinstruktioner



Kun en servicevirksomhed autoriseret til gasinstallationer må vedligeholde og justere grillens primære ventiler, dyser og gashaner. Observer nedenstående ting.

- Luk altid for gastilførslen fra gasflasken efter brug, og afmonter lavtryksregulatoren fra flasken.
- Håndter gasflasken med flydende gas forsigtigt. Undlad at tabe eller slå på den. Undlad at opbevare gasflasker med flydende gas på steder, hvor temperaturen kan overstige +50 °C.
- Inspicer altid gasslangens tilstand før brug.
- Udfør regelmæssigt en lækagetest i henhold til vejledningen. En lækagetest er især vigtig, når ringbrænderen ikke har været brugt i lang tid, eller når du har udskiftet en gasflaske, en lavtryksregulator eller en slange.
- Hvis du kan lugte en stærk gaslugt, skal du straks slukke for gasforsyningen og sætte alle knapper på OFF. Udfør derefter en lækagetest, og reparer forbindelserne. Hvis du ikke kan finde fejlen, skal du kontakte din service eller forhandler.
- Brug aldrig åben ild til at teste for gaslækager.
- Frakobl ikke gasslangen eller lavtryksregulatoren, når ringbrænderen er i brug.

DA

Generelle sikkerhedsinstruktioner



Det kan være farligt at bruge ringbrænderen til andre formål end det, den er beregnet til. Det er helt forbudt at ændre ringbrænderens struktur, selv på de mindste måder. Tjek de ting, du skal overveje, nedenfor.

- Følg monteringsvejledningen nøje, og sørg for, at ingen dele ikke er monteret under monteringen. Hvis du ikke følger anvisningerne, eller hvis du ikke har monteret alle dele, kan du få problemer med at bruge apparatet. Brugeren er ansvarlig for at samle ringbrænderen korrekt.
- Læs vejledningen, før du bruger ringbrænderen, og gem den til senere brug.
- Ringbrænderen bliver varm under brug, så vær særlig forsigtig, hvis der er børn, ældre mennesker eller kæledyr i nærheden.
- Der må ikke være brændbart materiale, væsker eller gasflasker, der ikke er tilsluttet brænderen, i umiddelbar nærhed af ringbrænderen.
- Læn dig ikke ind over ringbrænderen, når du tænder den.
- Ringbrænderen må ikke efterlades uden opsyn under brug.
- Flyt ikke ringbrænderen, mens den er i brug.
- Brug varmekædet handsker, når du bruger ringbrænderen.
- Sørg for, at ringbrænderen er ren for fedt og marinader.
- Brug ikke ringbrænderen, hvis den ikke fungerer normalt.
- Lad ikke børn bruge ringbrænderen.
- Alkohol, receptpligtig medicin og rusmidler af enhver art kan påvirke brugerens evne til at betjene ringbrænderen på en sikker og hensigtsmæssig måde.

Tilslutning af gas til ringbrænderen

Oplysninger om flydende gas

Før du kan bruge ringbrænderen, skal du købe en flaske med flydende gas, en lavtryksregulator og en gasslange. **Disse er ikke inkluderet i leveringen.**

Gassen i en gasflaske (LPG) er en ekstrem brændbar væske, der opbevares i en gasflaske under tryk. Gasflasker får i forskellig størrelse, f.eks. 5, 10 eller 11 kg. Sørg for, at din gasflaske ikke er bulet eller rusten, og at ventilen ikke er beskadiget. Bær og transporter altid gasflasker opretstående og sikkert fastgjorte. Til husstandsbrug må en gasflaske have en maksimal højde på 615 mm og en diameter på 310 mm.

Gassen ledes fra cylinderen til ringbrænderen gennem en lavtryksregulator og en slange. Lavtryksregulatoren hjælper gassen med at strømme jævnt ind i ringbrænderen.

! Trykregulatoren, der monteres på gasflasken, må ikke kunne justeres, og dens driftstryk skal være 30 mbar.

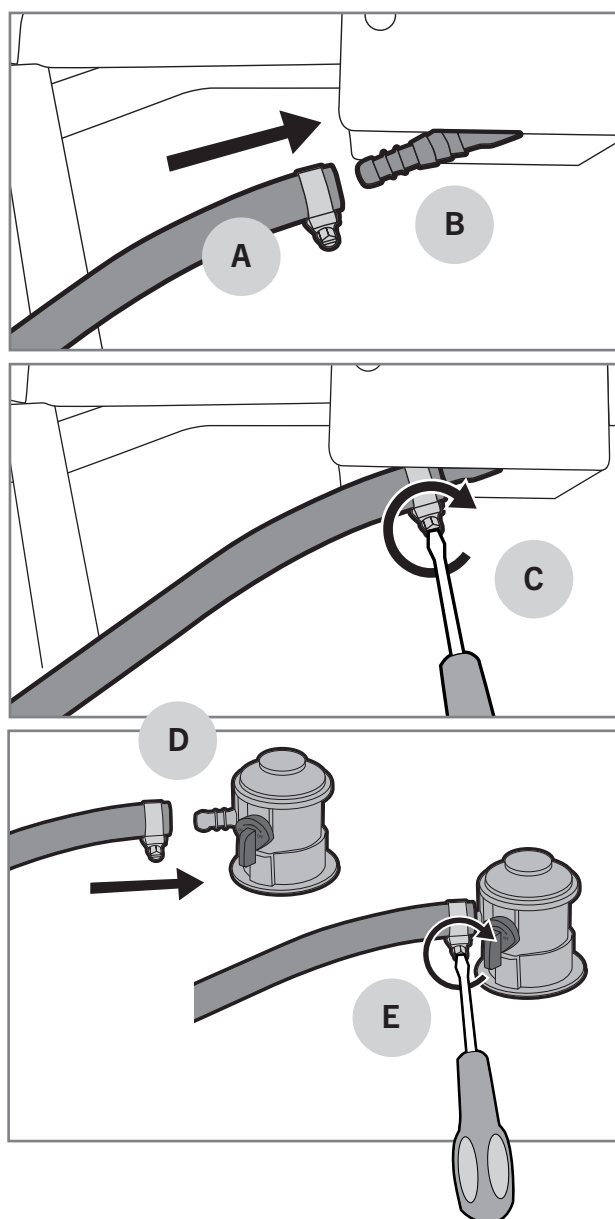
! Længden af gasslangen må højst være 1.2 m, og dens tykkelse højst 10 mm.

i Trykregulatoren skal være fremstillet i henhold til EN16129-standarden. I trykregulatoren er driftstrykket afmærket i henhold til det nominelle tryk, 29 mbar.

i Gasslangen skal være fremstillet i henhold til EN16436-standarden.

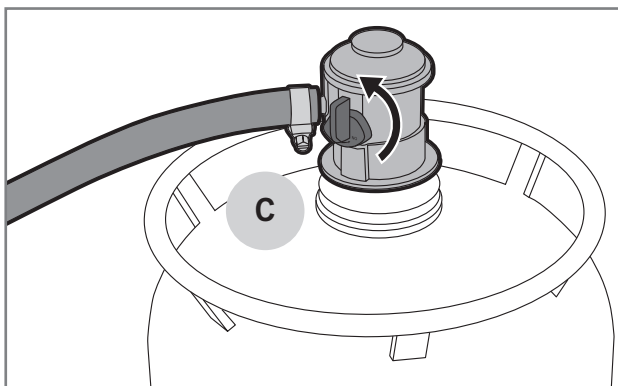
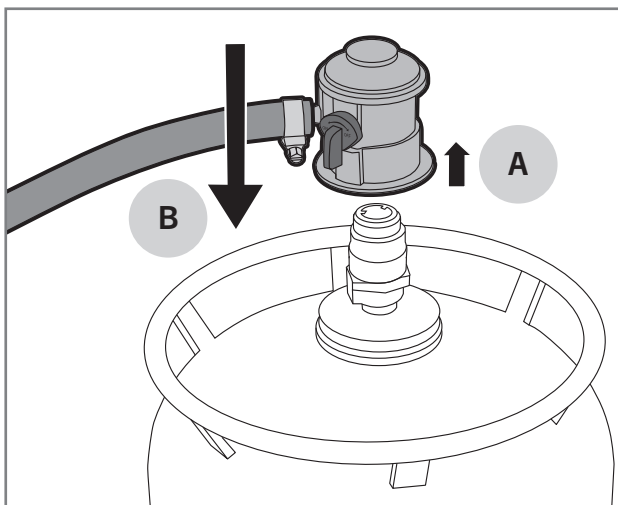
Montering af gasslangen

1. Kontrollér gasslangens stand.
2. Sørg for, at alle betjeningsknapper på ringbrænderen er sat på OFF.
3. Sæt gasslangen (A) stramt ind i slangeholderen (B), så langt ind som muligt.
4. Fastgør slangen til slangekoblingen med en slangeklemme (C).
5. Isæt den anden ende af gasslangen i slangekoblingen på lavtryksregulatoren (D).
6. Fastgør slangen til slangekoblingen med en slangeklemme (E).



Montering af lavtryksregulatoren

1. Kontrollér lavtryksregulatoren stand.
2. Monter lavtryksregulatoren på gasflasken ved at trække låseringen opad (A) og samtidigt trykke regulatoren ned mod cylinderen (B).
3. Fastgør regulatoren ved at trække hårdt op i regulatoren.
4. Åbn langsomt for gassen fra regulatoren, så trykket kan udjævnes (C).

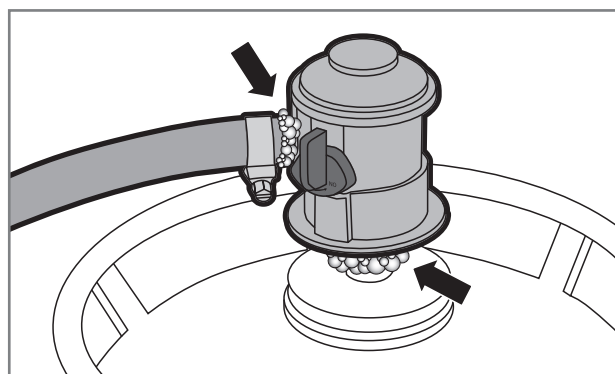
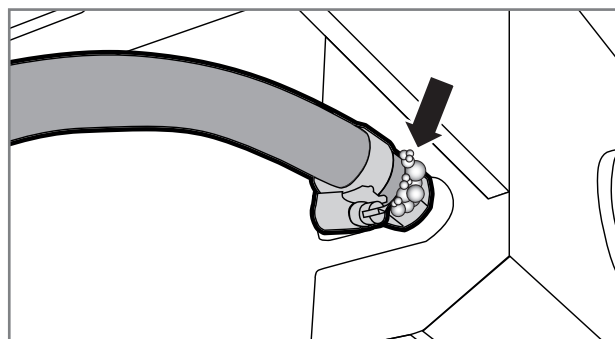


Test for lækager med flydende gas

Inspektionen af potentielle gaslækager skal foretages, hver gang gasflasken, regulatoren eller slangen udskiftes. Lækagetesten skal desuden foretages regelmæssigt en gang om året og især efter opbevaring i længere tid. Foretag lækagetesten ved at følge nedenstående instruktioner.

1. Sørg for, at alle betjeningsknapper på ringbrænderen er sat på OFF.
2. Åbn lavtryksregulatoren.
3. Væd alle ventiler, slangetilslutninger, regulator-tilslutninger, gasflasketilslutninger og svejse-sømme med en sæbevandsopløsning (30 % opvaskemiddel eller flydende sæbe og 70 % vand). Du kan væde delene ved at pensle eller spraye dem.
4. Hold nøje øje med, om der forekommer bobler. Bobler er tegn på en lækage.
5. Hvis der forekommer bobler, skal du lukke for gastilførslen og fastspænde tilslutninger på de steder, hvor boblerne er.
6. Hvis boblerne forekommer midt på slangen eller ved gasflasken, skal du udskifte den berørte del.
7. Åbn for gassen, og foretag lækagetesten igen.
8. Skyl sæbevandet af med rent vand for at forhindre korrosion.

⚠ Brug ikke ringbrænderen, hvis du ikke kan reparere gaslækagerne. I så fald skal lavtryksregulatoren kobles fra gasflasken, og du skal kontakte din service/forhandler.



DA

Brug af ringbrænder

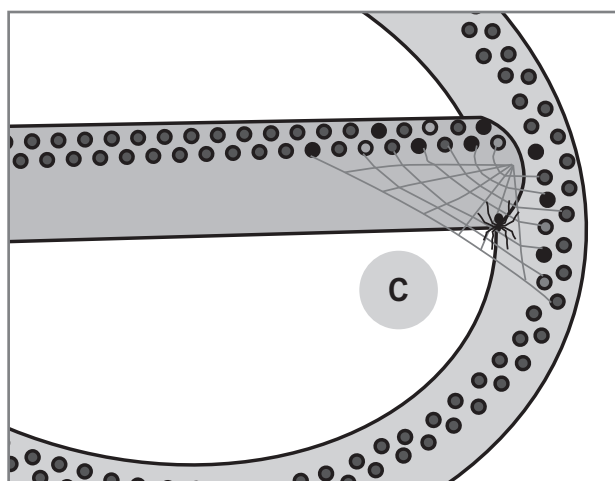
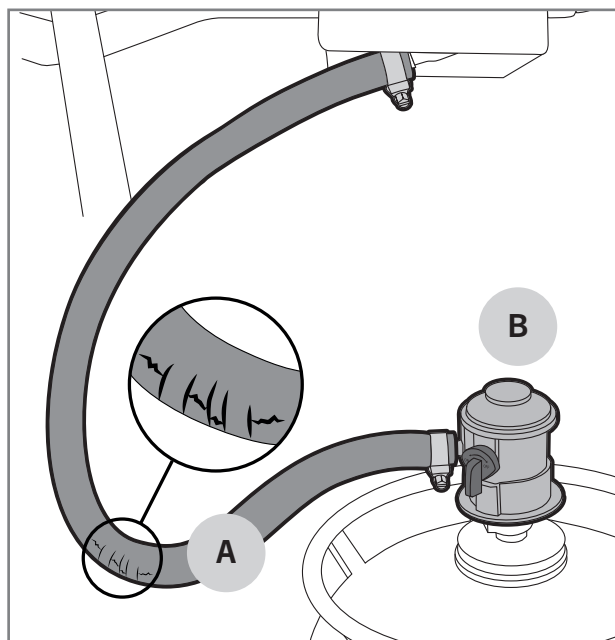
Foranstaltninger før hver brug

For at bruge ringbrænderen sikkert og korrekt er det nødvendigt med et par kontroller før hver brug. Gennemgå venligst nedenstående tjekliste omhyggeligt:




1. Kontrollér, at ringbrænderen er placeret korrekt, og at der ikke er brændbare materialer eller væsker i umiddelbar nærhed.
2. Kontrollér, at gasslangen ikke er revnet eller i stykker (A).
3. Kontrollér, at lavtryksregulatoren er forsvarligt fastgjort (B).
4. Tjek, at brænderne er rene for fedt og marinader. Det forhindrer fedtbrande.
5. Kontrollér, at brænderhullerne ikke er blokerede af insektræder eller edderkoppespind (C).
6. Kontrollér, at stativerne og andet grilludstyr er rene.



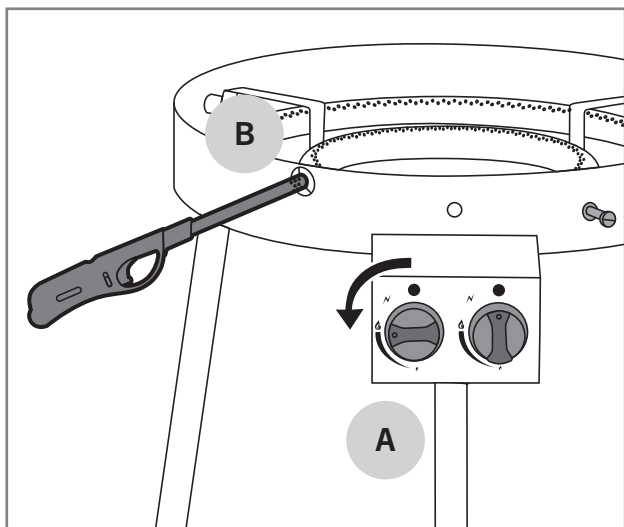
Brug ikke ringbrænderen, hvis gasslangen er beskadiget, eller der mangler dele.



Tænding af brændere med en tændstik eller langhalset lighter

1. Åbn for gassen via lavtryksregulatoren.
2. Tænd en lang tændstik eller langhalset lighter.
3. Tryk på kontrolknappen på den venstre brænder, og drej den til  (A).
4. Brug tændingshullet (B) til at bringe den lange tændstik eller den lange lighter cirka en centimeter væk fra brænderen.
5. Når den første brænder er tændt, kan den anden brænder tændes ved at dreje betjeningen mod uret mellem området  og .

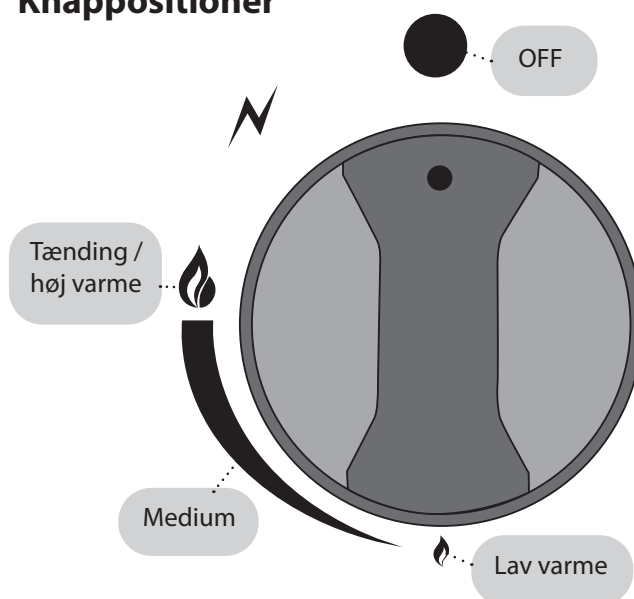
i Hvis brænderen ikke tændes inden for fem sekunder, skal du dreje betjeningsknappen til OFF og prøve at finde en løsning via fejlfindingstabellen.



Slukning af brænderne

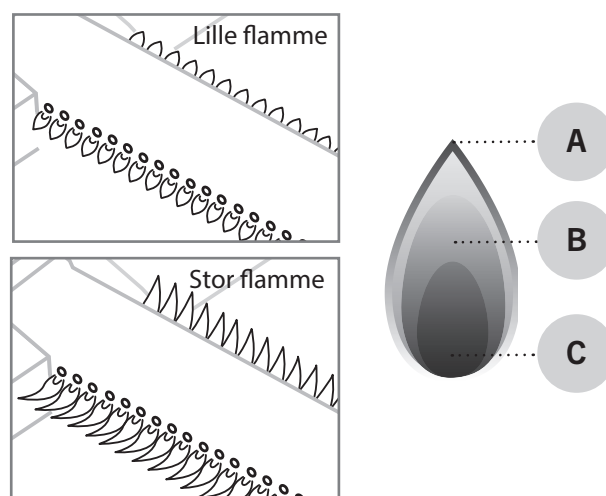
1. Sluk for gassen via lavtryksregulatoren for at sikre, at der ikke forbliver gas i ringbrænderen eller gasslangen.
2. Drej betjeningsknappen til OFF-stillingen.
3. Luk grillens låg.
4. Afmonter trykregulatoren fra gasflasken.

Knappositioner



Kontrol af flammerne

Tjek altid flammen, når du tænder ringbrænderen. Brænderne er optimeret fra fabrikens side, men de små huller i dem tiltrækker insekter, der kan bygge rede og lave spind i brænderne. Når brænderne brænder korrekt, er spidsen af flammen lejlighedsvis gul (A), og flammens farve ændres fra lyseblå (B) til mørkeblå fra top mod bund (C).



i Hvis flammen ikke brænder ordentligt, skal brænderen kontrolleres og rengøres. Hvis brænderen er beskadiget, skal den udskiftes, før du fortsætter med at bruge ringbrænderen.

DA

Nyttige tips

Generelle instruktioner for grillstegning

Grillstegning er meget nemt og afslappende, når du overholder nogle få regler og bruger disse generelle grillinstruktioner.

- **Grillen skal opvarmes korrekt. Når ristene er tilstrækkeligt varme, er maden mindre tilbøjelig til at klæbe fast til dem, og maden får en korrekt grillet overflade.**
- **Undlad at grille med tilsmudsede dele. Gammel marinade og madrester klæber nemt fast til risten og maden. Rengør grillen og ristene efter hver brug. På den måde er de klar til næste grillstegning.**
- **Sørg for, at alt nødvendigt tilbehør, f.eks. krydderier, marinader og tallerkner er inden for rækkevidde, før du begynder grillstegning.**
- **Grill mest muligt med låget lukket. Når du griller med låget lukket, sænkes grillens temperatur ikke unødvendigt, og grillstegningen sker hurtigere.**
- **Vend kødet mindst muligt; en enkelt gang er nok. Når maden får lov til langsomt at blive stegt på grillen/risten, får den en perfekt stegt overflade.**
- **Brug et termometer! Hvis du grillsteger maden for længe, bliver den tør og mister smag. Du opnår det bedste resultat, hvis du bruger et kødtermometer.**
- **Lad kødet hvile 10-20 minutter, før du skærer/ serverer det. Mens kødet hviler, bliver temperaturen mere jævnt fordelt, og kødsaften løber ikke unødigt ud, når du skærer i kødet.**

Marinader

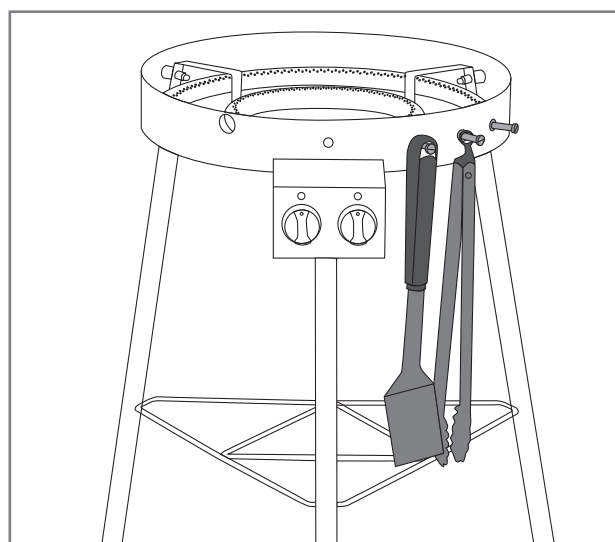
Brug af marinade er meget udbredt ved grillstegning. Formålet er at give det grillede kød smag. Men marinader kan også få kød til at klæbe fast til ristene. Tilsvarende kan marinade dryppe ned på brændere og få flammen til at blusse op eller endda forårsage en fedtrelateret brand. Med disse få tips kan du reducere problemerne forårsaget af marinader.

1. Forsøg at aftørre overskydende marinade af maden, før den lægges på grillen.
2. Hvis du tilføjer marinade under grillstegningen, skal du altid bruge en madlavningspensel. Undlad at hælde marinade på maden direkte fra en flaske.
3. Du kan evt. bruge "dry rubs" under grillstegningen.

i Undlad at anvende overskydende marinade fra klargøring af råt kød på tilberedt mad. I dette tilfælde overføres bakterier fra det rå kød til den tilberedte mad.

Kroge til tilbehør

Ringbrænderen har praktiske tilbehørskroge, så du kan have det nødvendige grilltilbehør inden for rækkevidde.



DA

Forhindring af fastsiddende madvarer

Mad, der klæber til grillen eller risten er et almindeligt fænomen for alle grillmestre. Her er et par tips til at undgå fastklæbning til en vis grad.

1. Husk at forvarme grillen, så den er tilstrækkelig varm.
2. Rengør ristene, før du lægger madvarer på grillen.
3. Smør olie på grilloverfladen og maden, der skal grilles, før den lægges på grillen.
4. Undlad at vende kødet på grillen for hurtigt, men lad overfladen blive grillet tilstrækkeligt først.

Guide til grilltemperaturer

Nedenfor findes en liste med vejledende grillstegningstider og temperaturer for de mest almindelige ingredienser. Forhold, som f.eks. vind, regn, udendørstemperatur og grillens rengøringsstand, kan påvirke den nødvendige tid.



Oksekød

Ingrediens	Tykkelse/vægt	Grillstegningsmetode	Grillstegningstid
Mørbradbøf/oksefilet	ca. 2 cm.	Direkte høj varme	2,5-3,5 min. pr. side
Mørbradbøf/oksefilet	ca. 5 cm.	Direkte høj varme Indirekte medium varme	2,5 min. pr. side 8-10 min.
Hel mørbrad	ca. 1,5 kg	Direkte høj varme Indirekte medium varme	3 min. pr. side 20-30 min.
Roastbeef	ca. 1,5 kg	Direkte medium varme Indirekte medium varme	3-4 min. pr. side 30-40 min.
Hamburgerfars	ca. 2 cm.	Direkte høj varme	2-3 min. pr. side
Indvendig temperatur			
Rød – næsten rød		47-51 °C	
Medium		52-58 °C	
Stegt – gennemstegt		59-66 °C	



Svinekød

Ingrediens	Tykkelse/vægt	Grillstegningsmetode	Grillstegningstid
Svinefilet, kotelet	ca. 2 cm.	Direkte høj varme	2-2,5 min. pr. side
Mørbrad	ca. 600 g	Direkte høj varme Indirekte medium varme	3 min. pr. side 20-30 min.
Spareribs	ca. 1,5 kg	Indirekte medium varme Direkte høj varme	60-90 min. 4 min. pr. side
Svinekam	ca. 3 cm.	Direkte medium varme Indirekte medium varme	2,5-3 min. pr. side 15-20 min.
Rå medisterpølse	ca. 400 g	Direkte lav varme	2-3 min. pr. side
Indvendig temperatur			
Filet, gennemstegt		65-70 °C	
Andre ingredienser, gennemstegt		65-70 °C	

DA



Kylling og kalkun

Ingrediens	Tykkelse/vægt	Grillstigningsmetode	Grillstigningstid
Brystfilet	ca. 200 g	Direkte medium varme	5-6 min. pr. side
Lår	ca. 120 g	Direkte medium varme	5-6 min. pr. side
Kyllingevinger	ca. 500 g	Direkte medium varme Indirekte medium varme	6-10 min. 30-40 min.
Hel kylling	ca. 900 g	Indirekte medium varme	60-75 min.
Indvendig temperatur			
Gennemstegt		75 °C	



Fisk

Ingrediens	Tykkelse/vægt	Grillstigningsmetode	Grillstigningstid
Tynd filet	ca. 200 g	Direkte medium varme	2-3 min. pr. side
Tyk filet	ca. 120 g	Direkte medium varme	5-6 min. pr. side
Hel fisk	ca. 500 g	Indirekte medium varme	20-30 min.
Indvendig temperatur			
Rosastegt		45-50 °C	
Gennemstegt		55-60 °C	



Grøntsager

Ingrediens	Tykkelse/vægt	Grillstigningsmetode	Grillstigningstid
Grillet majs		Direkte medium varme	6 min.
Tomat		Direkte medium varme	6 min. pr. side
Asparges		Direkte medium varme	3-5 min.
Kartoffelskive		Direkte medium varme Indirekte medium varme	5-8 min. 10-15 min.
Rå kartoffel		Indirekte medium varme	45-60 min.

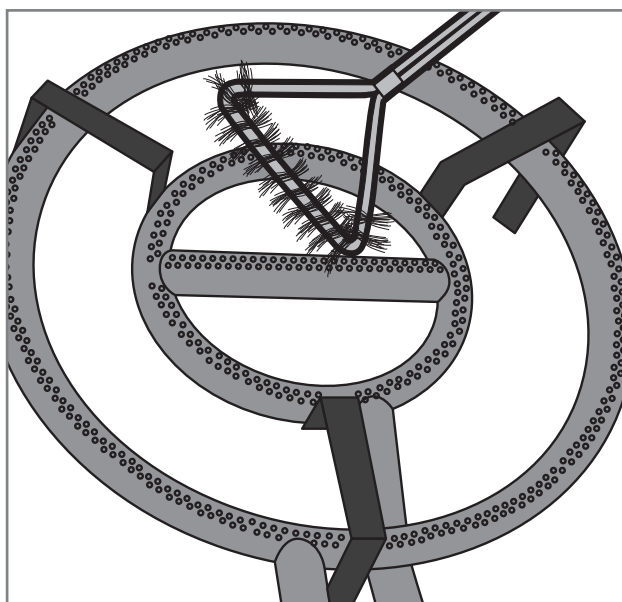
DA

Rengøring og opbevaring af grillen

Brændere

Apparatets brændere er de vigtigste for drift og opvarmning, så deres renhed og tilstand bør kontrolleres regelmæssigt. Små huller i brænderne tiltrækker insekter og edderkopper, som bygger rede i brænderne. Disse blokeringer giver en ujævn og uren flamme. Blokeringer kan få flammen til at brænde uden for gasrøret, hvilket igen kan beskadige grillen alvorligt. Rengør brænderne ved at følge instruktionerne nedenfor:

1. Sørg for, at ringbrænderen er slukket.
2. Brug den messingbørste, der er beregnet til grill, til at rengøre brænderoverfladerne.
3. Sørg for, at brænderhullerne er åbne og rene. Du kan bruge en tynd tråd til dette.
4. Hvis brænderen er beskadiget eller stærkt korroderet, skal du holde op med at bruge produktet eller udskifte brænderen med en ny.
5. Kontroller samtidig, at ventildysen er ren og intakt.



Dele af stål

Følgende generelle retningslinjer kan bruges til rengøring af staldele:

1. Rengør ringbrænderens staldele med Mustang Grill Cleaner, Mustang Grille Cleaner eller et mildt opvaskemiddel og en rengøringsklud
2. Glem ikke at tørre de rengjorte dele omhyggeligt.
3. Undlad at bruge rengøringsmidler til rengøring af kontrolpaneler og overflader med advarselsmærkater, da det kan fjerne teksten eller andre mærkater.
4. Rengør alle grillens udvendige flader mindst tre gange om året, så stænk, ikke klæber fast til overfladerne.
5. Test altid egnetheden af et nyt rengøringsmiddel på et ikke-synligt sted.

i Klorforbindelser og salt kan få grillen til at ruste. Hvis grillen anvendes i umiddelbar nærhed af havvand eller en swimmingpool, skal den rengøres hver uge.

Opbevaring

Se denne vejledning, når du holder en længere pause fra at grille eller f.eks. vil opbevare en ringbrænder i vinterhalvåret. Opbevares den korrekt, holder brænderen længere og forbliver funktionsdygtig år efter år. Følg anvisningerne nedenfor, når du opbevarer din ringbrænder:

1. Rengør ringbrænderen i henhold til instruktionerne i brugervejledningen.
2. Tænd for brænderen, og lad den varme op i ca. 15 minutter, når alle staldelene er tørre.
3. Lad ringbrænderen afkøle.
4. Afmonter trykregulatoren fra gasflasken.
5. Opbevar altid gasflasken udendørs, og sørg for, at den ikke er udsat for varme eller sollys.
6. Opbevar ringbrænderen på et tørt sted.

DA

Fejlfinding

Der kan ske fejl på alle grilltyper. Disse fejl kan normalt nemt løses. Hvis du ikke kan finde en løsning på dit problem i nedenstående tabel, skal du kontakte sælgeren.

Problem	Mulig årsag	Løsning
Gassen flyder ikke.	Lavtryksregulatoren er lukket.	Åbn for gassen via lavtryksregulatoren.
	Lavtryksregulatoren er ikke monteret korrekt på gasflasken.	Afmonter lavtryksregulatoren, og monter den omhyggeligt igen.
	Der er fejl på gasslangen eller trykregulatoren.	Afmonter lavtryksregulatoren, og monter den omhyggeligt igen.
Brænderen tændes ikke med en tændstik eller langhalset lighter.	Brænderens huller er blokerede.	Rengør brænderne i henhold til instruktionerne.
	Brænderne er ikke monteret korrekt på ventilerne.	Kontrollér installationen og brændernes stand.
Grillen varmes ikke tilstrækkeligt op.	Lufttilførslen til brænderne er blokeret.	Kontrollér og rengør brænderne.
	For lidt gas.	Skift gasflasken.
	Gastilførslen er begrænset.	Kontrollér, at gasslangen er intakt og ikke snoet.
Flammen er ujævn, helt gul eller oser.	Brænderne modtager ikke tilstrækkelig med luft.	Rengør brænderne i henhold til instruktionerne.
	Der sidder madrester, salt eller marinade fast på brænderoverfladen.	Rengør brænderne i henhold til instruktionerne.
Flammen forbliver ikke tændt.	Det blæser for meget.	Flyt grillen væk fra vinden.
	Lav gasmængde.	Skift gasflasken.
Der er synlige flammer uden for brænderne.	Blokering i brænderne.	Kontrollér og rengør brænderne.
	Hård vind.	Flyt grillen væk fra vinden.
Trykregulatoren brummer eller summer.	Varm udendørstemperatur.	Ingen nødvendige handlinger. En midlertidig situation.
	Fuld gasflaske.	

DA

Garanti

En Mustang-gasgrill og dens komponenter har som minimum en fremstillings- og materialegaranti på 24 måneder. Disse garantivilkår varierer dog fra model til model. Du kan finde opdaterede garantivilkår og -perioder på vores websted

mustang-grill.com

Ved håndtering af garantisager skal du bruge en købskvittering, der angiver sted og dato for købet.

DA



ET

Paigaldus- ja kasutusjuhend

Tere tulemast Mustangi grillimaailma!

Meil on hea meel, et valisite Mustangi gaasigrilli. Mustangi soov on olla teie grillipartner ja pakkuda unelmate grillimiselamust. Mustang sai alguse soovist nautida kiirustamata, sundimatut toiduvalmistamist pere või sõprade seltsis ja sedasama kogemust soovime ka teile.

Mustangi grillid ja tarvikud on hoolikalt disainitud ja viimistletud, et võiksime nende üle uhkust tunda. Meie pikk kogemus ja ametioskused paistavad igast tootest, millel on olemas kõik olulised funktsioonid ja omadused. Oleme veendunud, et meie grill rõõmustab teid kaua aega, kui vaid peate meeles seda siinse kasutusjuhendi järgi hooldada ja puhastada.

Kõige laiem grillimistoodete valik

Mustang on Soome ettevõtte Tammer Brands Oy kaubamärk. Mustang pakub kõiki grillimiseks vajalikke seadmeid, varuosi ja tarvikuid ning laia valikut tooteid suitsutamiseks ja pitsa küpsetamiseks. Oleme grillimiskultuuri asjatundjad, nii et saame garanteerida – meilt leiate täpselt õiged ja tänapäevased vahendid. Mustang on seega ainus kaubamärk, mida edukaks grillimiseks vajate.

Klienditeenindus

Tammer Brands Oy
tel 03 252 1111
Viinikankatu 36
33800 Tampere, Soome

mustang-grill.com

TAMMER
BRANDS | EST 1954



Lugege kasutusjuhend enne grilli kasutuselevõttu läbi ja hoidke edaspidiseks alles.

Jälgige meid sotsiaalmeedias



mustanggrill

ET


MUSTANG

Sisukord



Koostejuhised	3
Enne kokkupanekut	6
Ohutusnõuded ja hoiatused	96
Rõngaspõleti paigutamine	96
Gaasiga seotud ohutusnõuded	96
Üldised ohutusnõuded	97
Gaasi ühendamine rõngaspõleti külge	98
Üldist vedelgaasist	98
Gaasivooliku paigaldamine	98
Madalrõhuregulaatori paigaldamine	99
Vedelgaasi lekkekontroll	99
Rõngaspõleti kasutamine	100
Enne iga kasutuskorda	100
Põleti süütamine tuletiku või pika gaasisüütajaga	101
Põletite kustutamine	101
Regulaatorite asendid	101
Leegi kontrollimine	101

Kasulikke nõuandeid	102
Üldist grillimisest	102
Toidu kinnikleepumise vältimine	102
Marinaadid	102
Tarvikukonksud	102
Grillimisjuhend koos temperatuuridega	103
Puhastamine ja hoidmine	105
Põletid	105
Terasest osad	105
Säilitamine	105
Veotsing	106
Garantii	107



Ohutusnõuded ja hoiatused

Selle ringpõleti kasutamisel olete kohustatud enne seadme kasutamist hoolikalt läbi lugema ja pöörama tähelepanu käesolevas kasutusjuhendis toodud hoiatus-tele ja ohutusjuhiste. See seade on vastavalt kehtivatele eeskirjadele varustatud CE-märgisega.

Legend:  OHT!  NB!

Rõngaspõleti paigutamine



See seade on mõeldud ainult välitingimustes kasutamiseks. Seda ei tohi kunagi kasutada siseruumides ega suletud ruumides. Vaadake allpool olevaid asju, millega tuleb arvestada.

- Kasutage rõngaspõletit ainult õues.
- Ärge kasutage rõngaspõletit sein ääres, garaažis, vagun- ega haagiselamus ega mujal suletud (sise)ruumis.
- Veenduge, et rõngaspõleti mõlemal küljel oleks vähemalt üks meeter vaba ruumi ümber ja kohal.
- Veenduge, et rõngaspõleti lähedal oleksid kustutustekk/käsikustuti ja esmaabivahendid.
- Rõngaspõletit ei tohi kasutada nõrga pinna peal ega läheduses, sest sellest võib tavapärase kasutamise käigus pritsida või valguda nii rasva kui ka marinaade.
- Veenduge, et nii rõngaspõleti kui ka gaasiballoon seisaksid horisontaalsel pinnal.

Gaasiga seotud ohutusnõuded



Grilli peaventiile, otsakuid ja gaasikraane tohib hooldada ning reguleerida üksnes gaasiseadmete paigaldamise õigust omav hooldusettevõtte. Vt allpool.

- Iga kord pärast kasutamist sulgege gaasiballooni pealevool ja eemaldage madalrõhuregulaator.
- Käideldge vedelgaasiballooni ettevaatlikult, ärge kukutage ega kolkige seda. Ärge säilitage vedelgaasiballooni kohas, kus temperatuur võib tõusta üle +50 °C.
- Kontrollige enne iga kasutuskorda, et gaasivoolik oleks korras.
- Tehke regulaarselt lekkekatsed vastavalt juhistele. Eriti oluline on lekkekatsed siis, kui rõngaspõletit ei ole pikka aega kasutatud või kui olete vahetanud gaasiballooni, madalrõhuregulaatori või vooliku.
- Kui tunnete tugevat gaasilõhna, lülitage gaasivarustus kohe välja ja seadke kõik juhtimiseadmed asendisse OFF. Seejärel tehke lekkekatsed ja parandage ühendused. Kui te ei leia viga, võtke ühendust teeninduse või edasimüüjaga.
- Ärge kunagi kontrollige gaasileket lahtise tulega.
- Ärge ühendage gaasivoolikut või madalrõhuregulaatorit lahti, kui rõngaspõletit on kasutusel.

Üldised ohutusnõuded



Rõngaspõleti kasutamine muul kui ettenähtud otstarbel võib kujutada endast ohtu. Rõngaspõleti konstruktsiooniline muutmine, isegi kõige väiksemal määral, on täielikult keelatud. Vaadake allpool olevaid asju, mida tuleb arvestada.

- Järgige hoolikalt kokkupaneku juhiseid ja veenduge, et ükski osa ei jääks kokkupaneku ajal paigaldamata. Kui te ei järgi juhiseid või kui te ei ole paigaldanud kõiki osi, võib seadme kasutamisel tekkida probleeme. Rõngaspõleti õige kokkupaneku eest vastutab kasutaja.
- Enne rõngaspõleti kasutamist lugege juhiseid ja hoidke need alles edaspidiseks kasutamiseks.
- Rõngaspõleti muutub kasutamise ajal kuumaks, seega olge eriti ettevaatlik, kui läheduses on lapsi, eakaid inimesi või lemmikloomi.
- Rõngaspõleti vahetus läheduses ei tohi olla tuleohtlikke materjale, vedelikke ega gaasiballoon, mis ei ole põletiga ühendatud.
- Ärge kummarduge süütamisel üle ringpõleti.
- Rõngaspõletit ei tohi kasutamise ajal jätta järelevalveta.
- Ärge liigutage rõngaspõletit selle kasutamise ajal.
- Kandke rõngaspõleti kasutamisel kuumakindlaid kindaid.
- Veenduge, et rõngaspõleti on rasvast ja marinaadist puhas.
- Ärge kasutage rõngaspõletit, kui see ei tööta normaalselt.
- Ärge lubage lastel rõngaspõletit kasutada.
- Alkohol, retseptiravimid ja igasugused joovastavad ained võivad mõjutada kasutaja võimet kasutada rõngaspõletit ohutult ja asjakohaselt.

Gaasi ühendamine rõngaspõleti külge

Üldist vedelgaasist

Enne rõngaspõleti kasutamist peate ostma vedelgaasiballooni, madalsurve regulaatori ja gaasivooliku.

Need ei kuulu tarnimise juurde.

Vedelgaas on kergsüttiv petrooleumipõhine aine, mida säilitatakse rõhu all vedelgaasiballoonides. Vedelgaasiballoonid kaaluvad 5–11 kg. Veenduge, et ostetud ballooni ei oleks mõlkinud ega roostetanud ning selle ventiil poleks kahjustatud. Transportige vedelgaasiballooni alati püstiasendis korralikult kinnitatuna. Kodumajapidamises kasutamiseks mõeldud gaasiballoon tohib olla kuni 615 mm kõrge ja kuni 310 mm läbimõõduga.

Gaas juhitakse ballooni rõngaspõletisse läbi madalsurve regulaatori ja vooliku. Madalrõhuregulaator aitab gaasi ühtlaselt rõngaspõleti sisse voolata.

! Ballooni külge ühendatav rõhuregulaator ei tohi olla reguleeritav ja regulaatori kasutusrõhk peab olema 30 mbar.

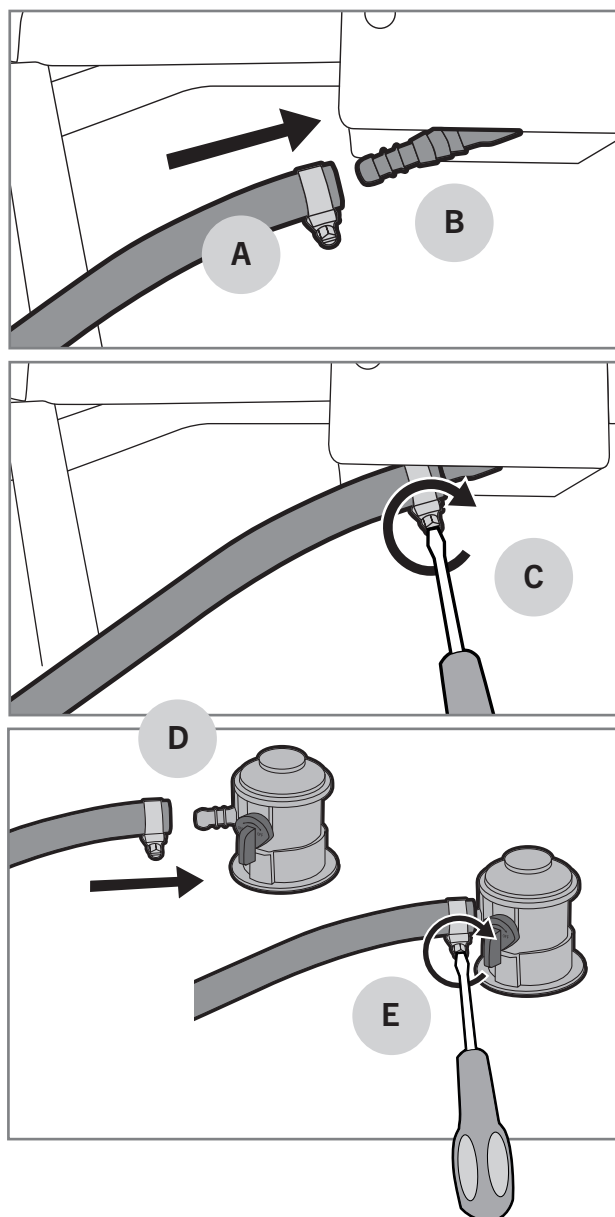
! Gaasivoolik tohib olla kuni 1,2 m pikk ja selle läbimõõt kuni 10 mm (NB! Rootsisis kuni 8 mm).

i Rõhuregulaator peab olema valmistatud standardi EN16129 järgi. Rõhuregulaatori kasutusrõhk on märgitud nimirõhu järgi 29 mbar.

i Gaasivoolik peab olema valmistatud standardi EN16436 järgi.

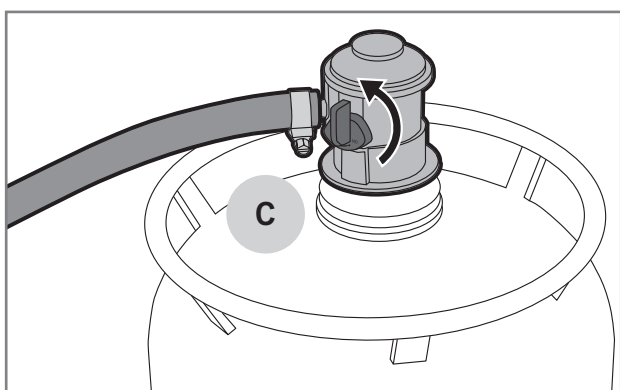
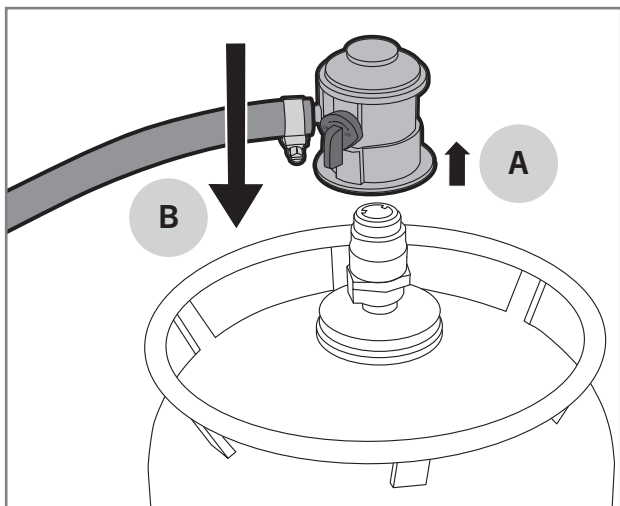
Gaasivooliku paigaldamine

1. Veenduge, et gaasivoolik oleks heas korras.
2. Veenduge, et kõik rõngaspõleti nupud oleksid asendis „OFF“.
3. Suruge gaasivoolik (A) võimalikult sügavalt ja kindlalt voolikupadruni (B) sisse.
4. Pinguldage voolik voolikuklambriga voolikupadruni külge (C).
5. Suruge gaasivooliku teine ots madalrõhuregulaatori voolikupadrunisse (D).
6. Pinguldage voolik voolikuklambriga rõhuregulaatori padruni külge (E).



Madalrõhuregulaatori paigaldamine

1. Veenduge, et madalrõhuregulaator oleks korras.
2. Kinnitage madalrõhuregulaator ballooni külge, tõmmates selle lukustusrõngast ülespoole (A) ja surudes samal ajal regulaatorit gaasiballooni külge (B).
3. Kontrollige kinnitust, tõmmates regulaatorit tugevalt ülespoole.
4. Avage gaasi peaveool aeglaselt, et rõhk ühtlustuks (C).

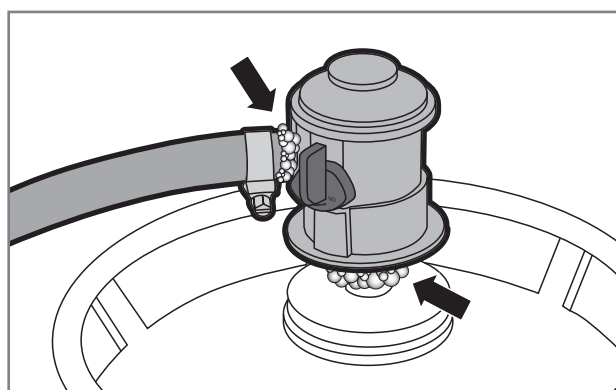
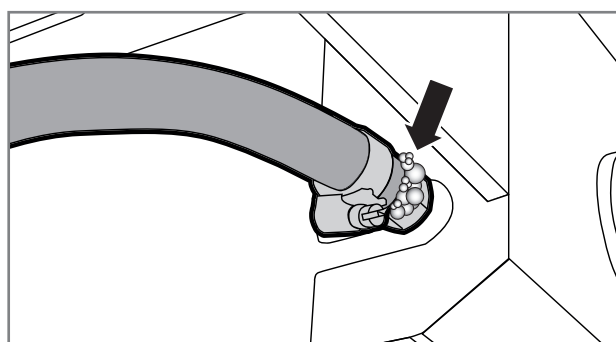


Vedelgaasi lekkekontroll

Lekkekontroll tuleb teha iga kord, kui vahetate välja gaasiballooni, rõhuregulaatori või gaasivooliku. Kontroll tuleb teha ka korrapäraselt igal aastal ja eelkõige pärast pikemaajalisi kasutuspause. Tehke lekkekontroll järgmiselt:

1. Veenduge, et kõik rõngaspõleti nupud oleksid asendis „OFF“.
2. Avage madalrõhuregulaator.
3. Niisutage kõiki ventile, vooliku jätkukohti, regulaatori kinnituskohki, gaasiballooni liitmikke ja keevitusõmblusi seebiveega (30% nõudepesuainet või vedelseepi ja 70% vett). Niisutamiseks võite kasutada harja või pihustipudelit.
4. Uurige hoolikalt, kas kuskil tekib mulle. Mullid viitavad gaasilekkele.
5. Mullide tekke korral sulgege gaasi peaveool ja pinguldage jätkukohti, kus need ilmusid.
6. Kui mullid tekivad vooliku keskel või gaasiballooni küljes, vahetage see osa uue vastu välja.
7. Avage gaasi peaveool ja tehke lekkekontroll uuesti.
8. Loputage seebivesi roostetamise vältimiseks puhta veega maha.

! Ärge kasutage rõngaspõletit, kui te ei saa gaasilekkeid parandada. Sellisel juhul ühendage madalrõhuregulaator gaasiballoonist lahti ja võtke ühendust oma teeninduse/ edasimüüjaga.



ET

Rõngaspõleti kasutamine

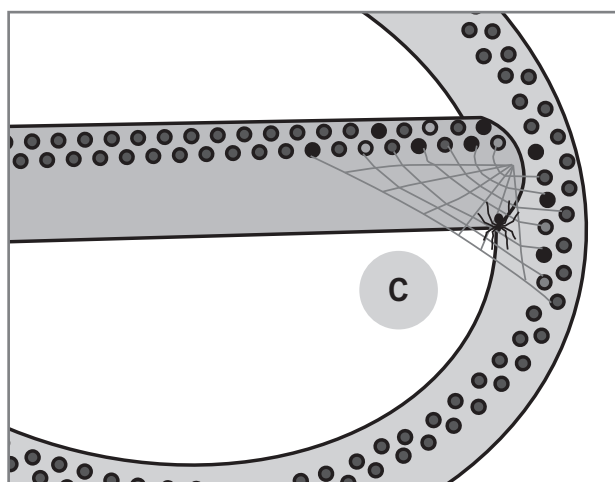
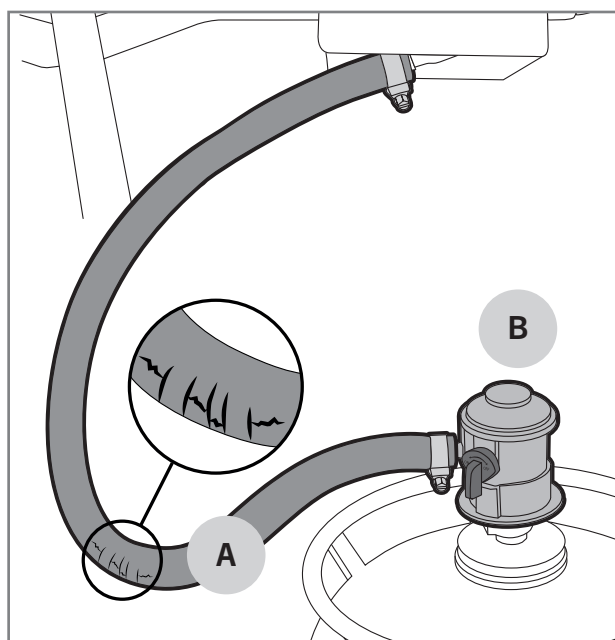
Enne iga kasutuskorda

Rõngaspõleti ohutuks ja nõuetekohaseks kasutamiseks tuleb enne iga kasutamist teha mõned kontrollid. Palun vaadake hoolikalt läbi alljärgnev kontrollnimekiri:




1. Veenduge, et rõngaspõleti oleks õigesti paigutatud ja et selle vahetus läheduses ei oleks tuleohtlikke materjale või vedelikke.
2. Veenduge, et gaasivoolikus ei oleks pragusid ega rebendeid (A).
3. Veenduge, et madalrõhuregulaator oleks korralikult kinni (B).
4. Veenduge, et põletid oleksid rasvast ja marinaadist puhtad. See hoiab ära rasvapõlengu.
5. Veenduge, et põletite avad poleks kaetud putukate pesade ega ämblikuvõrkudega (C).
6. Veenduge, et restid ja muud grillimisvahendid oleksid puhtad.



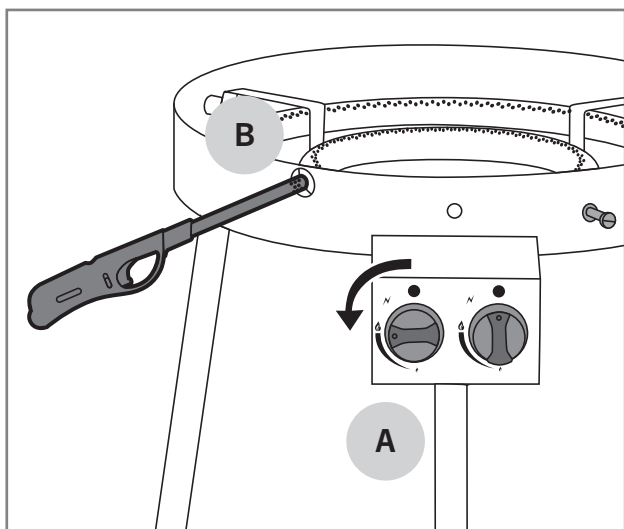
Ärge kasutage rõngaspõletit, kui gaasivoolik on kahjustatud või osad puuduvad.



Põleti süütamine tuletiku või pika gaasisüütajaga

1. Avage madalrõhuregulaatorist gaasi pealevool.
2. Süüdake pikk tuletikk või pikk gaasisüütaja.
3. Vajutage vasaku põleti juhtnuppu ja keerake see asendisse  (A).
4. Kasutades süüteava (B), viige pikk tikk või pikk tulemasin umbes ühe sentimeetri kaugusele põletist.
5. Kui esimene põleti on süüdatud, saab teise põleti süüdata, keerates regulaatorit vastupäeva vahemikus  ja .

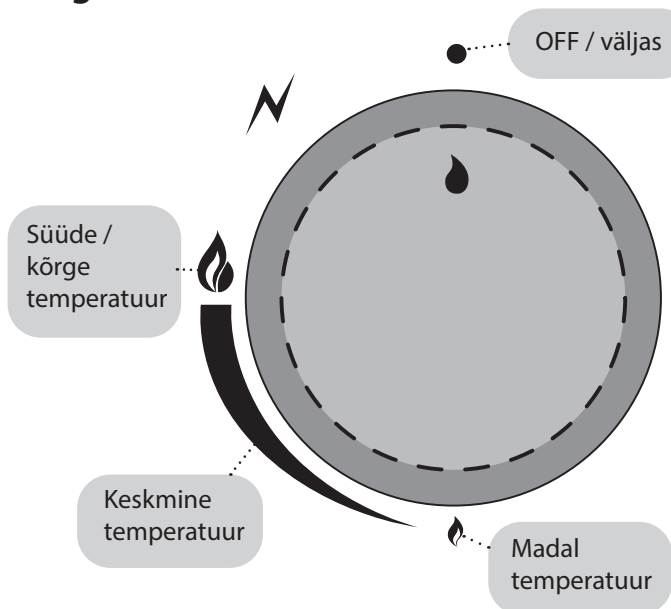
i Kui põleti ei sütti viie sekundiga, keerake regulaator asendisse „OFF“ ja püüdke tõrkeotsingu tabeli abil viga üles leida.



Põletite kustutamine

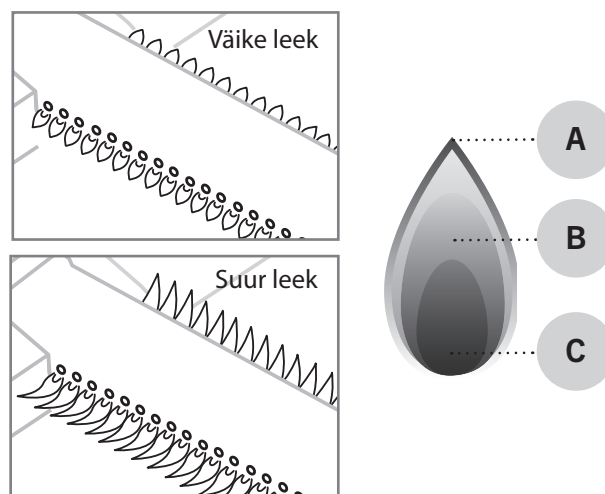
1. Peatage gaasi pealevool madalrõhuregulaatorist, sest nii ei jää gaasi rõngaspõleti ega gaasivoolikusse.
2. Keerake regulaatorid asendisse „OFF“.
3. Sulgege grilli kaas.
4. Eemaldage rõhuregulaator gaasiballooni küljest.

Regulaatorite asendid



Leegi kontrollimine

Kontrollige rõngaspõleti süütamisel alati leeki. Põletid on tehases optimaalseks reguleeritud, aga nende väikesed avad ahvatlevad putukaid pesitsema ja ämblikuid võrke kuduma. Kui põletid töötavad korralikult, väreleb ainult leegi tipp vahel kollaselt (A) ja leegi värv muutub summutamisel helesinisest (B) tumesinisest (C).



i Kui leek ei põle korralikult, kontrollige põletit ja puhastage seda. Kui põleti on kahjustatud, tuleb see enne rõngaspõleti kasutamise jätkamist välja vahetada.

ET

Kasulikke nõuandeid

Üldist grillimisest

Grillimine on väga lihtne ja meeldiv tegevus, kui peate meeles paari väikest nippi ja järgite siinseid üldiseid grillimisnõuandeid:

- **Grill peab korralikult kuumenema.** Kui grilliplaadid ja -restid on korralikult kuumenenud, ei kleepu toit kinni ja selle pind pruunistub kenasti.
- **Määrduvad töövahenditega ei grillita.** Vanad marinaadid ja toidujäägid kleepuvad kergesti resti ning grillitava toidu külge. Puhastage grilliresti ja -plaadid pärast iga kasutuskorda. Nii on need järgmisel korral kohe võtta.
- Pange kõik vajalikud töövahendid, maitseained ja marinaadid ning nõud enne grillimist valmis.
- **Grilli kaas olgu võimalikult palju kinni.** Kui kaas on kinni, ei lange grilli temperatuur asjata ja grillimisaeg lüheneb.
- **Liha tuleb võimalikult vähe ringi keerata.** Piisab ühest korrast. Kui toit saab piisavalt kauaks rahulikult grilliplaadile või -restile jääda, tekib selle pinnale kaunis pruunistunud pind.
- **Termomeeter aitab!** Liiga pikk grillimisaeg kuivatab toitu ja rikub maitseaudingu. Parima tulemuse saamiseks hankige lihatermomeeter.
- **Liha peab 10–20 minutit seisma** enne kui seda lõigata/süüa. Selle ajaga temperatuur ühtlustub ja lõikamisel ei eraldu nii palju lihamahla.

Toidu kinnikleepumise vältimine

Toidu kleepumine grilliresti või -plaadi külge on grillijale hästi tuttav nähtus. Siin on paar nippi, kuidas liigset kleepumist vältida:

1. Eelkuumutage grilli piisavalt.
2. Puhastage grilliresti ja -plaat enne kui toidu selle peale asetate.
3. Pintseldage grillimisala ja grillitavat toitu enne grillimist.
4. Ärge keerake grillitavaid toite liiga kiiresti ringi, vaid laske nende pinnal korralikult küpseda.

Marinaadid

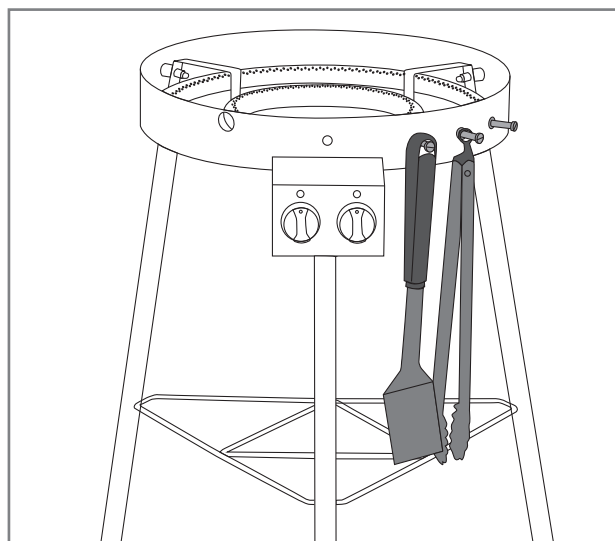
Marinaadi kasutamine on grillimisel täiesti tavaline. Selle ülesanne on anda grillitavale toidule meelepärane maitse. Kuid marinaadid kõrvetavad ka toidu grilliresti ja -plaadi külge. Õline marinaad võib valguda põleti peale ja panna leegi sähvima või tekitada lausa rasvapõlengu. Nende paari nipi abil saab marinaadiga seotud probleeme vähendada:

1. Püüdke ülemäärane marinaad enne grillimist toidult maha pühkida.
2. Kui lisate marinaadi grillimise käigus, kasutage alati grillipintslit. Marinaadi ei tohi pudelist otse toidule valada.
3. Eelistage grillimisel pigem kuivmarinaade.

i Ärge kasutage toormarineerimisest järele jäänud marinaadi valmis toitude marineerimiseks. Sel juhul satuvad toore liha bakterid valmistoidu sisse.

Tarvikukonksud

Rõngaspõletajal on käepärased tarvikukonksud, et hoida vajalikud grillitarvikud käeulatuses.



Grillimisjuhend koos temperatuuridega

Allpool on loetletud enamlevinud toorainete ligikaudsed grillimisajad ja temperatuurid. Tuul, sademed, välistemperatuur ja grilli puhtus võivad grillimisaega mõjutada.



Veis

Tükk	Paksus/kaal	Grillimismeetod	Grillimisaeg
Sise-/välisfilee lõik	u 2 cm	Otsene kõrge temperatuur	2,5–3,5 min / üks pool
Sise-/välisfilee lõik	u 5 cm	Otsene kõrge temperatuur Kaudne keskmine temperatuur	2,5 min / üks pool 8–10 min
Terve sisefilee	u 1,5 kg	Otsene kõrge temperatuur Kaudne keskmine temperatuur	3 min / üks pool 20–30 min
Praad	u 1,5 kg	Otsene keskmine temperatuur Kaudne keskmine temperatuur	3–4 min / üks pool 30–40 min
Hamburgeripihv	u 2 cm	Otsene kõrge temperatuur	2–3 min / üks pool
Sisetemperatuur			
Toores – peaaegu toores		47 – 51 °C	
Keskmiselt küps		52 – 58 °C	
Peaaegu küps - küps		59 – 66 °C	



Siga

Tükk	Paksus/kaal	Grillimismeetod	Grillimisaeg
Fileelõik, karbonaad	u 2 cm	Otsene kõrge temperatuur	2 – 2,5 min / üks pool
Sisefilee	u 600 g	Otsene kõrge temperatuur Kaudne keskmine temperatuur	3 min / üks pool 20 – 30 min
Grillkülg/-ribi	u 1,5 kg	Kaudne keskmine temperatuur Otsene kõrge temperatuur	60 – 90 min 4 min / üks pool
Kassler	u 3 cm	Otsene keskmine temperatuur Kaudne keskmine temperatuur	2,5 – 3 min / üks pool 15 – 20 min
Toorvorst	u 400 g	Otsene madal temperatuur	2 – 3 min / üks pool
Sisetemperatuur			
Küps filee		65 – 70 °C	
Küps muu tükk		65 – 70 °C	

ET



Kana ja kalkun

Tükk	Paksus/kaal	Grillimismeetod	Grillimisaeg
Rinnafilee	u 200 g	Otsene keskmine temperatuur	5 – 6 min / üks pool
Kints	u 120 g	Otsene keskmine temperatuur	5 – 6 min / üks pool
Tiivad	u 500 g	Otsene keskmine temperatuur Kaudne keskmine temperatuur	6 – 10 min 30 – 40 min
Terve broiler	u 900 g	Kaudne keskmine temperatuur	60 – 75 min
Sisetemperatuur			
Küps		75 °C	



Kala

Tükk	Paksus/kaal	Grillimismeetod	Grillimisaeg
Õhuke filee	u 200 g	Otsene keskmine temperatuur	2 – 3 min / üks pool
Paks filee	u 120 g	Otsene keskmine temperatuur	5 – 6 min / üks pool
Terve kala	u 500 g	Kaudne keskmine temperatuur	20 – 30 min
Sisetemperatuur			
Roosa		45 – 50 °C	
Täielikult küps		55 – 60 °C	



Köögiviljad

Tükk	Paksus/kaal	Grillimismeetod	Grillimisaeg
Küps mais		Otsene keskmine temperatuur	6 min
Tomat		Otsene keskmine temperatuur	6 min / üks pool
Spargel		Otsene keskmine temperatuur	3 – 5 min
Kartuliviilud		Otsene keskmine temperatuur Kaudne keskmine temperatuur	5 – 8 min 10 – 15 min
Toores kartul		Kaudne keskmine temperatuur	45 – 60 min

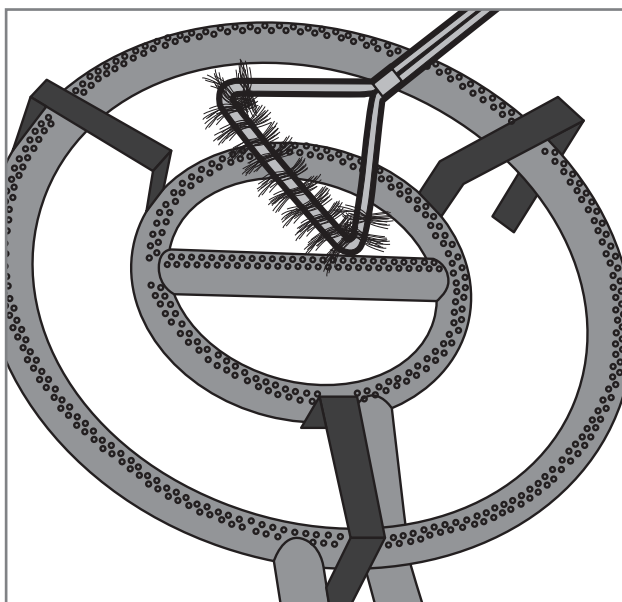
ET

Puhastamine ja hoidmine

Põletid

Seadme põletid on töö ja kütmise seisukohalt kõige olulisemad, seega tuleks nende puhtust ja korrasolekut regulaarselt kontrollida. Väikesed augud põletites meelitavad putukaid ja ämblikke tegema põletitesse pesi. Need ummistused põhjustavad ebaühtlase ja ebapuhta leegi. Ummistused võivad põhjustada leegi põlemist väljaspool gaasitoru, mis omakorda võib grilli tõsiselt kahjustada. Puhastage põletid, järgides alljärgnevaid juhiseid:

1. Veenduge, et rõngaspõleti on välja lülitatud.
2. Kasutage põleti pindade puhastamiseks grillide jaoks mõeldud messingist puhastusharja.
3. Veenduge, et põletiavad on avatud ja puhtad. Selleks võite kasutada õhukest traati.
4. Kui põleti on kahjustatud ja/või tugevalt korrodeerunud, lõpetage toote kasutamine või asendage põleti uue vastu.
5. Samal ajal kontrollige, et ventiili otsik oleks puhas ja terve.



Terasest osad

Terasest detailide puhastamiseks võib kasutada järgmisi üldisi suuniseid:

1. Puhastage rõngaspõleti terasest osad Mustang Grill Cleaner, Mustang Grille Cleaner või maheda nõudepesuvahendi ja puhastuslapiga.
2. Kuivatage puhastatud osad hoolikalt.
3. Juhtpaneelid ja hoiatussiltide pindu ei tohi puhastada pesuainega, sest need võivad tekstid ja muud ohutumärgised lahti leotada.
4. Puhastage grilli kõiki pealispindu vähemalt kolm korda aastas, et mustus ei saaks sisse sööbida.
5. Katsetage alati uue puhastusaine sobivust varjatud kohal.

i Kloor ja sool võivad panna grilli roostetama. Kui kasutate grilli mere või ujumisbasseini vahetuses läheduses, peate seda iga nädal puhastama.

Säilitamine

Vaadake neid juhiseid, kui te võtate pikema pausi grillimisest või soovite näiteks rõngaspõletit talveperioodiks hoiustada. Korralikult säilitades kestab põleti kauem ja jääb aasta-aastalt töökorras. Järgige oma rõngaspõleti hoiustamisel alljärgnevaid juhiseid:

1. Puhastage rõngaspõleti vastavalt kasutusjuhendis toodud juhistele.
2. Süüdake rõngaspõletit ja laske sel umbes 15 minutit kuumeneda, kuni kõik terasosad on kuivanud.
3. Laske rõngaspõletajal jahtuda.
4. Eemaldage madalrõhuregulaator gaasiballooni küljest.
5. Säilitage gaasiballooni alati õues ja veenduge, et see ei puutuks kokku kuumuse ega päikesevalgusega.
6. Säilitage rõngaspõletit kuivas hoiuruumis.

ET

Veaotsing

Iga grill võib töötamast tõrkuda. Harilikult on tegemist lihtsasti kõrvaldatavate häiretega. Kui te ei leia murele alltoodud tabelist lahendust, pöörduge edasimüüja poole.

Viga	Võimalik põhjus	Lahendus
Gaas ei voola peale	Madalrõhuregulaator on kinni	Avage gaasi pealevool rõhuregulaatorist
	Madalrõhuregulaator ei ole gaasiballooni küljes korralikult kinni	Eraldage madalrõhuregulaator ja kinnitage uuesti
	Gaasivoolik või rõhuregulaator on defektsed	Vahetage gaasivoolik või rõhuregulaator välja ja tehke lekkekontroll
Põleti ei sütti tuletiku ega gaasisüütajaga	Põleti avad on ummistunud	Puhastage põletid juhiste järgi
	Põletid ei ole ventiilide küljes korralikult kinni	Kontrollige põletite paigaldust ja seisukorda
Grill ei kuumene korralikult	Põleti ei saa korralikult õhku	Kontrollige põletit ja puhastage see
	Gaasi on liiga vähe	Vahetage gaasiballoon välja
	Gaasi pealevool on takistatud	Veenduge, et gaasivoolik oleks terve ega oleks väändunud
Leek on ebahühtlane ja põleb täiesti kollasena või suitseb	Põletid ei saa piisavalt õhku	Puhastage põletid juhiste järgi
	Põletite pinnale on kleepunud toidujääke, soola või marinaadi	
Leek ei püsi	Liiga tugev tuul	Viige grill tuule eest kaitstud kohta
	Gaasi on vähe	Vahetage gaasiballoon välja
Leeki on näha väljaspool põletit	Põleti on ummistunud	Kontrollige põletit ja puhastage see
	Tugev tuul	Viige grill tuule eest kaitstud kohta
Rõhuregulaator suriseb/kohiseb	Kõrge välistemperatuur	Pole midagi teha. Olukord möödub
	Täis gaasiballoon	

Garantii

Mustangi gaasigrillile ja selle osadele kehtib vähemalt 24-kuuline tootmis- ja materjaligarantii. Garantiitingimused erinevad mudeliti. Ajakohased garantiitingimused leiate meie veebilehelt.

mustang-grill.com

Kõigi garantiiküsimuste lahendamiseks on vaja esitada ostukviitung, millelt selgub ostukoht ja -kuupäev.

ET



LV

Lietošanas pamācība

Laipni lūdzam "Mustang" grila pasaulē

Priecājamies, ka izvēlējāties "Mustang" gāzes grilu. "Mustang" vēlas kļūt par Jūsu grila pavadoni un nodrošināt Jums sapņu grilēšanas pieredzi. "Mustang" ir radies ar vēlmi baudīt nesteidzīgu un relaksētu ēdienu pagatavošanu kopā ar ģimeni vai draugiem, un šo pašu ideju mēs vēlamies piedāvāt Jums.

"Mustang" grili un piederumi ir rūpīgi izstrādāti un eleganti, tāpēc varam ar tiem lepoties. Mūsu ilggadējā pieredze un profesionālās prasmes atspoguļojas katrā no mūsu produktiem, un tiem piemīt visas šādiem izstrādājumiem būtiskās funkcijas un īpašības. Esam pārliecināti, ka šis grils Jūs priecēs ilgu laiku, ja vien atcerēsieties to pienācīgi uzturēt un tīrīt vadoties pēc šajā rokasgrāmatā sniegtajiem norādījumiem.

Plašākā grilu izvēle

"Mustang" ir zīmols, kas pieder somu uzņēmumam "Tammer Brands Oy". "Mustang" piedāvā visu grilēšanai nepieciešamo aprīkojumu, piederumus, darbarīkus un rezerves daļas, kā arī plašu produktu klāstu kūpināšanai un picu cepšanai. Mums ir lieliski pazīstama grilēšanas kultūra, tāpēc varam nodrošināt, ka Jums ir pieejami tieši Jums visvairāk vajadzīgie un modernākie produkti. Tātad "Mustang" ir vienīgais zīmols, kas Jums ir nepieciešams veiksmīgai grilēšanai.

Klientu apkalpošana

"Tammer Brands Oy",
tāl. 03 252 1111
Viinikankatu 36,
33800 Tampere, Somija

TAMMER
BRANDS | EST 1954

mustang-grill.com



Pirms grila lietošanas izlasiet lietošanas instrukciju un saglabājiet to turpmākai uzziņai.

Sekoiet mums sociālajos tīklos



mustanggrill

LV

Satura rādītājs

Montāžas instrukciju	3
Pirms uzstādīšanas	7
Brīdinājumi un norādījumi par drošību	112
Gredzenveida degļa ievietošana	112
Ar gāzi saistīti drošības norādījumi	112
Vispārējie drošības norādījumi	113
Gāzes pieslēgšana gredzenveida deglim	114
Ziņas par sašķidrināto naftas gāzi	114
Gāzes šļūtenes uzstādīšana	114
Zemspiediena regulatora uzstādīšana	115
SNG noplūdes pārbaude	115
Gredzenveida degļa izmantošana	116
Pasākumi pirms katras lietošanas	116
Degļu aizdedzināšana ar sērskociņu vai garām šķiltavām	117
Degļu izslēgšana	117
Slēdžu stāvokļi	117
Liesmu pārbaude	117

Noderīgi ieteikumi	118
Vispārīgi grilēšanas norādījumi	118
Izvairšanās no ēdiena pielipšanas	118
Marinādes	118
Palīgierīču āķi	118
Grilēšanas temperatūras norādījumi	119
Grila tīrīšana un uzglabāšana	121
Degļi	121
Tērauda detaļas	121
Glabāšana	121
Problēmu novēršana	122
Garantija	123

Brīdinājumi un norādījumi par drošību

Lietojot šo gredzenveida degli, pirms ierīces lietošanas rūpīgi izlasiet un ievērojiet šajā rokasgrāmatā sniegtos brīdinājumus un drošības norādījumus. Šī iekārta ir marķēta ar CE marķējumu saskaņā ar spēkā esošajiem noteikumiem.

Simbolu nozīme:



BĪSTAMI!



UZMANĪBU!

Gredzenveida degļa ievietošana



Šī ierīce ir paredzēta tikai lietošanai ārpus telpām. To nekādā gadījumā nedrīkst lietot telpās vai slēgtās telpās. Pārbaudiet, kas jāņem vērā tālāk tekstā.

- Gredzenveida degli izmantojiet tikai ārpus telpām.
- Neizmantojiet gredzenveida degli blakus sienai, garāžā, dzīvojamā vagonā vai kempērī, nevienā citā slēgtā telpā vai iekštelpās.
- Pārlicinieties, ka ap un virs katras gredzenveida degļa malas ir vismaz viens metrs brīvas vietas.
- Pārlicinieties, ka netālu no gredzenveida degļa ir ugunsdrošā sega/rokas ugunsdzēsamais aparāts un pirmās palīdzības aptieciņa.
- Gredzenveida degli nedrīkst novietot uz jutīgām virsmām vai to tuvumā, jo parastas lietošanas laikā tas var izšļakstīt un pilēt taukus un marinādes.
- Pārlicinieties, ka gredzenveida deglis un gāzes balons atrodas uz horizontālas virsmas.

Ar gāzi saistīti drošības norādījumi



Grila galvenos vārstus, sprauslas un gāzes krānus drīkst apkalpot un regulēt tikai servisa uzņēmums, kam ir gāzes uzstādīšanas licence. Skatīt turpmāk atzīmētos punktus.

- Pēc lietošanas vienmēr aizveriet balona gāzes ieplūdes atveri un atvienojiet balona zemspiediena regulatoru.
- Rīkojieties ar sašķidrinātās naftas gāzes (SNG) tvertni uzmanīgi, nenometiet to un nesasietiet. Neglabājiet sašķidrinātās naftas gāzes tvertni vietā, kur temperatūra var pārsniegt +50 ° C.
- Pirms lietošanas vienmēr pārbaudiet gāzes šļūtenes stāvokli.
- Regulāri veiciet noplūdes pārbaudi saskaņā ar norādījumiem. Noplūdes pārbaude ir īpaši svarīga, ja gredzenveida deglis ilgu laiku nav ticis lietots vai ja ir nomainīts gāzes balons, zemspiediena regulators vai šļūtene.
- Ja jūtama spēcīga gāzes smaka, nekavējoties izslēdziet gāzes padevi un iestatiet visas vadības ierīces uz OFF. Pēc tam veiciet noplūdes pārbaudi un salabojiet savienojumus. Ja kļūdu nevarat atrast, sazinieties ar servisa dienestu vai izplatītāju.
- Nekad nepārbaudiet gāzes noplūdi ar atklātu liesmu.
- Neatvienojiet gāzes šļūteni vai zemspiediena regulatoru, kad tiek izmantots gredzenveida deglis.

Vispārējie drošības norādījumi



Gredzenveida degļa izmantošana citiem mērķiem, nevis tam paredzētajiem, var radīt apdraudējumu. Gredzenveida degļa konstrukcijas pārveidošana, pat mazākā mērā, ir pilnībā aizliegta. Pārbaudiet, kas jāņem vērā tālāk tekstā.

- Uzmanīgi sekojiet montāžas instrukcijām un pārliedzinieties, ka montāžas laikā nav atstāta neviena neuzstādīta detaļa. Ja neievērosiet norādījumus vai nebūsiet uzstādījuši visas detaļas, ierīces lietošanas laikā var rasties problēmas. Lietotājs ir atbildīgs par pareizu gredzenveida degļa montāžu.
- Pirms gredzenveida degļa lietošanas izlasiet lietošanas instrukciju un saglabājiet to turpmākai lietošanai.
- Lietošanas laikā gredzenveida deglis kļūst karsts, tāpēc esiet īpaši uzmanīgi, ja tuvumā ir bērni, vecāki cilvēki vai mājdzīvnieki.
- Gredzenveida degļa tiešā tuvumā nedrīkst at-
rasties viegli uzliesmojoši materiāli, šķidrums vai gāzes baloni, kas nav savienoti ar degli.
- Aizdedzinot gredzenveida degli, nedrīkst noliekties virs tā.
- Lietošanas laikā gredzenveida degli nedrīkst atstāt bez uzraudzības.
- Nepārvietojiet gredzenveida degli tā lietošanas laikā.
- Lietojot gredzenveida degli, valkājiet karstumizturīgas dūraiņus.
- Pārliedzinieties, ka gredzenveida deglis ir tīrs no taukiem un marinādēm.
- Neizmantojiet gredzenveida degli, ja tas nedarbojas normāli.
- Neļaujiet bērniem lietot gredzenveida degli.
- Alkohols, recepšu medikamenti un jebkāda veida apreibinošas vielas var ietekmēt lietotāja spēju droši un atbilstoši lietot gredzenveida degli.

Gāzes pieslēgšana gredzenveida deglim

Ziņas par sašķidrināto naftas gāzi

Pirms gredzenveida degļa lietošanas ir jāiegādājas sašķidrinātās gāzes balons, zemspiediena regulators un gāzes šļūtene. **Tie nav iekļauti komplektācijā.**

SNG ir ļoti viegli uzliesmojoša uz naftas bāzes veidota viela, kas tiek uzglabāta SNG balonos zem spiediena. SNG ir pieejama 5 kg – 11 kg balonos. Pārlicinieties, ka iegādātais balons nav sasists vai sarūsējis un balona vārsts nav bojāts. SNG balonu vienmēr pārvietojiet vertikālā stāvoklī un droši nostiprinātu. Lietošanai mājas apstākļos maksimālais balona izmērs ir 615 mm augstumā un 310 mm diametrā.

Gāze no balona uz gredzenveida degli tiek novadīta caur zemspiediena regulatoru un šļūteni. Zemspiediena regulators palīdz gāzei vienmērīgi ieplūst gredzenveida deglī.

! Balonam pievienotais spiediena regulators nedrīkst būt regulējams, un regulatora darba spiedienam jābūt 30 mbar.

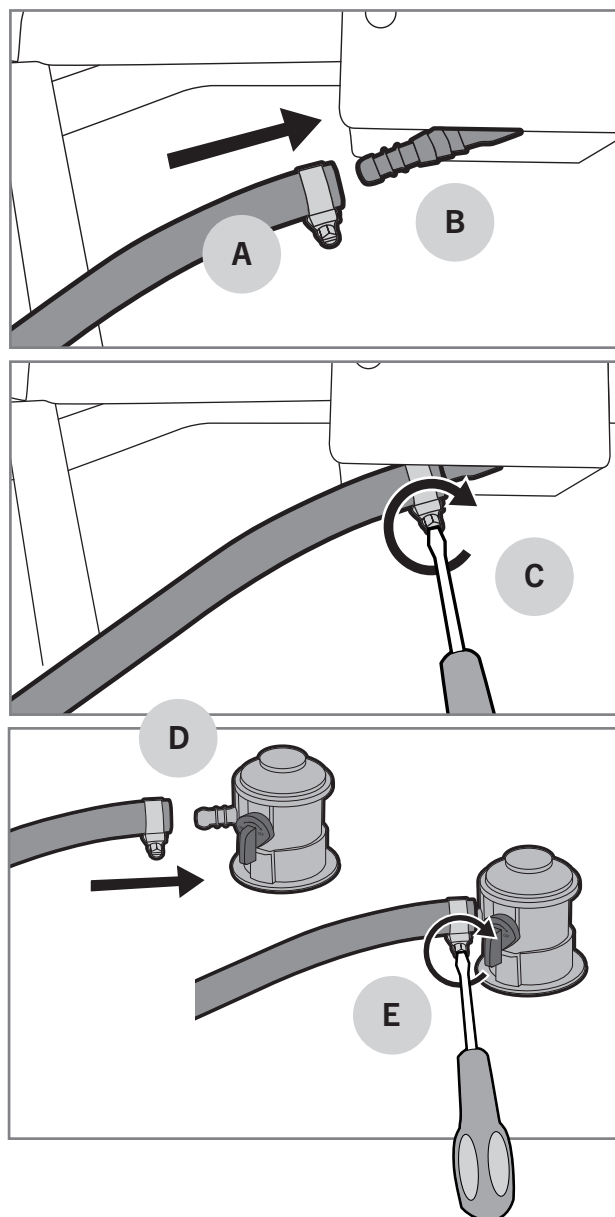
! Maksimālais gāzes šļūtenes garums nedrīkst pārsniegt 1,2 m, un maksimālais diametrs nedrīkst pārsniegt 10 mm (Piezīme: Zviedrijā maksimālais diametrs – 8 mm).

i Spiediena regulatoram jābūt izgatavotam saskaņā ar EN16129 standartu. Spiediena regulatorā darba spiediens ir atzīmēts atbilstoši nominālajam spiedienam 29 mbar.

i Gāzes šļūtenei jābūt izgatavotai saskaņā ar EN16436 standartu.

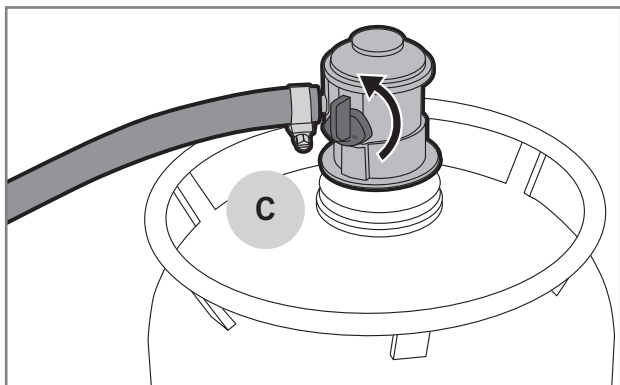
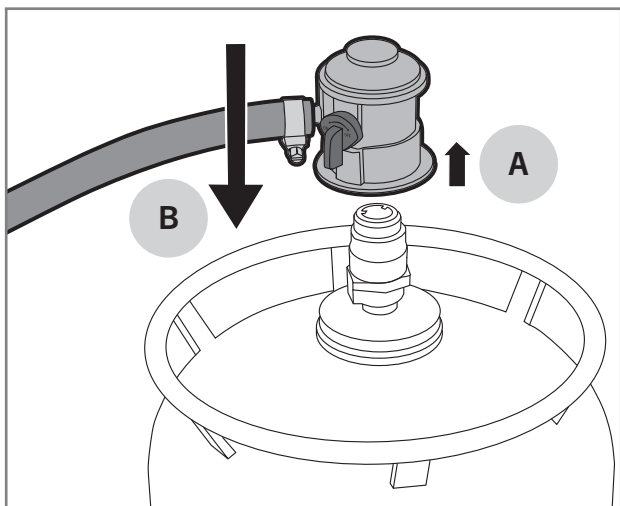
Gāzes šļūtenes uzstādīšana

1. Pārbaudiet gāzes šļūtenes stāvokli.
2. Pārlicinieties, ka visi gredzenveida regulēšanas slēdži ir "OFF" stāvoklī.
3. Ievietojiet gāzes šļūteni (A) cieši šļūtenes ieliktnī (B), cik tālu vien tas iespējams.
4. Piestipriniet šļūteni pie šļūtenes skavas, izmantojot šļūtenes skavu (C).
5. Pievienojiet gāzes šļūtenes otru galu zemspiediena regulatora šļūtenes uzgalim (D).
6. Pievelciet šļūteni pie spiediena regulatora uzgaļa ar šļūtenes skavu (E).



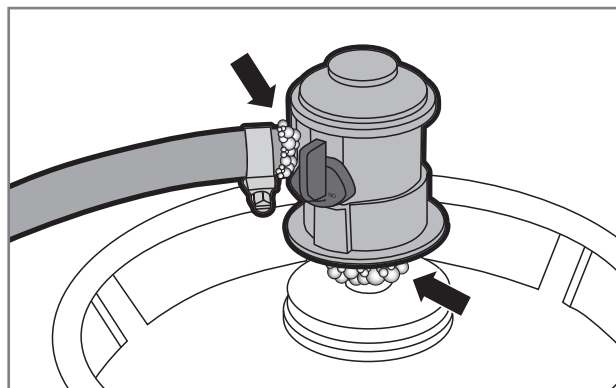
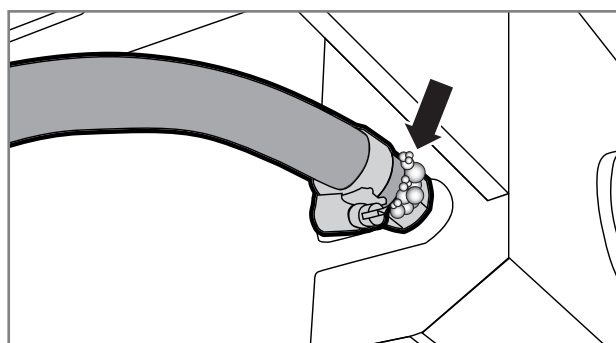
Zemspiediena regulatora uzstādīšana

1. Pārbaudiet zemspiediena regulatora stāvokli.
2. Pievienojiet zemspiediena regulatoru balonam, velkot bloķēšanas gredzenu uz augšu (A), vienlaikus piespiežot regulatoru pie balona (B).
3. Lai nostiprinātu stiprinājumu, stingri pavelciet regulatoru uz augšu.
4. Lēnām atveriet regulatora gāzes ieplūdes atveri, lai spiediens izlīdzinātos (C).



3. Saslapiniet visus vārstus, šļūteņu savienojumus, regulatora savienotājelementus, gāzes balona savienojumus un šuves ar ziepju šķīdumu (30 % trauku mazgāšanas šķidrums vai šķidro ziepju un 70 % ūdens). Saslapināšanu var veikt vai nu ar suku, vai nu ar smidzinātāju.
4. Uzmanīgi novērojiet, vai nekur neparādās burbuļi. Burbuļi norāda uz gāzes noplūdi.
5. Ja parādās burbuļi, aizveriet gāzes ieplūdes atveri un savelciet savienojumus vietās, kur parādās burbuļi.
6. Ja šļūtenes vidū vai uz gāzes balona parādās burbuļi, nomainiet detaļu pret jaunu.
7. Atveriet gāzes ieplūdes atveri un vēlreiz veiciet noplūdes pārbaudi.
8. Noskalojiet ziepjūdeni ar tīru ūdeni, lai novērstu rūšēšanu.

⚠ Neizmantojiet gredzenveida degli, ja nevarat novērst gāzes noplūdes. Šādā gadījumā atvienojiet zemspiediena regulatoru no gāzes balona un sazinieties ar servisa/pārdevēju.



SNG noplūdes pārbaude

Nomainot jaunu balonu, spiediena regulatoru vai gāzes šļūteni, vienmēr jāveic gāzes noplūdes pārbaude. Regulāri jāveic ikkgadējās pārbaudes, īpaši pēc ilgākiem uzglabāšanas pārtraukumiem. Veiciet gāzes noplūdes pārbaudi, saskaņā ar turpmāk sniegtajiem norādījumiem:

1. Pārlicinieties, ka visi gredzenveida regulēšanas slēdži ir "OFF" stāvoklī.
2. Atveriet zemspiediena regulatoru.

LV

Gredzenveida degļa izmantošana

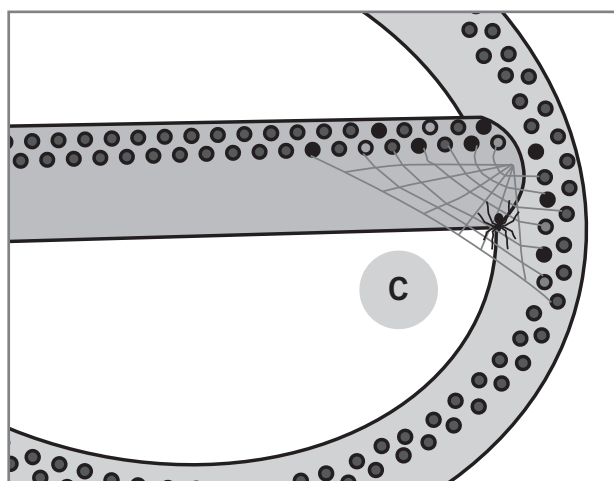
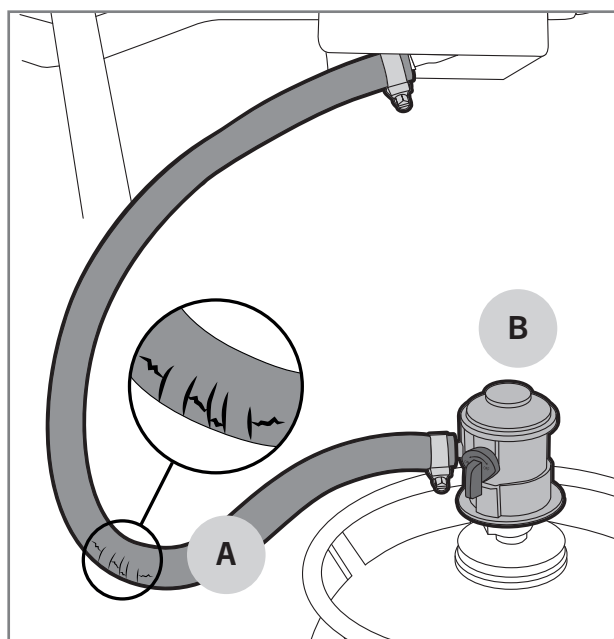
Pasākumi pirms katras lietošanas

Lai droši un pareizi izmantotu gredzenveida degli, pirms katras lietošanas reizes ir jāveic dažas pārbaudes. Lūdzu, uzmanīgi izlasiet turpmāk sniegto kontrolsarakstu:




1. Pārbaudiet, vai gredzenveida deglis ir novietots pareizi un vai tiešā tuvumā nav viegli uzliesmojošu materiālu vai šķidrumu.
2. Pārbaudiet, vai gāzes šļūtenē nav plaisu vai plīsumu (A).
3. Pārbaudiet, vai zemspiediena regulators ir pareizi aizvērts (B).
4. Pārbaudiet, vai degļi ir tīri no taukiem un marinādēm. Tas novērsīs tauku ugunsgrēku.
5. Pārbaudiet, vai degļu atveres nepārklāj kukaiņu veidotie pūžņi vai tīkli (C).
6. Pārbaudiet, vai plaukti un cits grilēšanas aprīkojums ir tīrs.



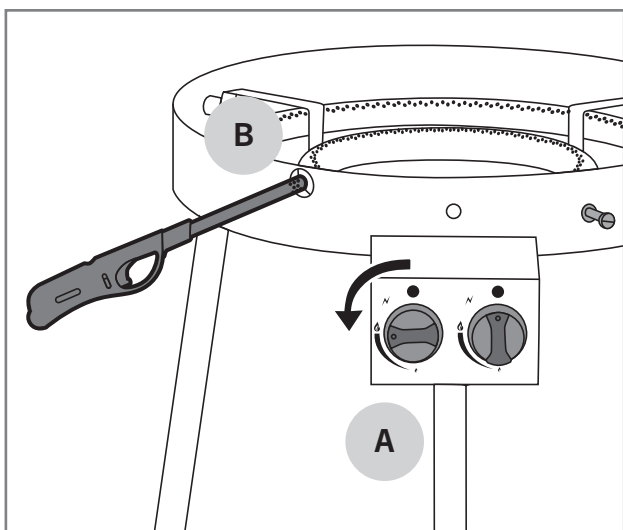
Neizmantojiet gredzenveida degli, ja gāzes šļūtene ir bojāta vai trūkst detaļu.



Degļu aizdedzināšana ar sērkokociņu vai garām šķiltavām

1. Atveriet gāzes iepļūdes atveri ar zemspiediena regulatoru.
2. Aizdedziet garu sērkokociņu vai garas šķiltavas.
3. Nospiediet kreisā degļa vadības pogu un pagrieziet to uz  (A).
4. Izmantojot aizdedzināšanas atveri (B), novietojiet garu sērkokociņu vai garu šķiltavu aptuveni viena centimetra attālumā no degļa.
5. Kad ir aizdedzināts pirmais deglis, otro degli var aizdedzināt, pagriežot regulatoru pretēji pulksteņrādītāja rādītāja virzienam starp zonām  un .

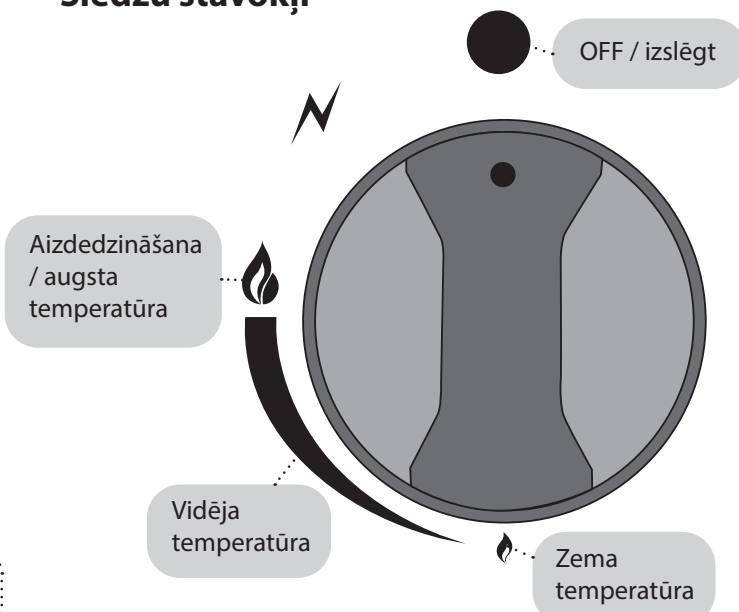
i Ja piecu sekunžu laikā deglis neieslēdzas, pagrieziet vadības slēdzi uz "OFF" un mēģiniet rast risinājumu problēmu novēršanas tabulā.



Degļu izslēgšana

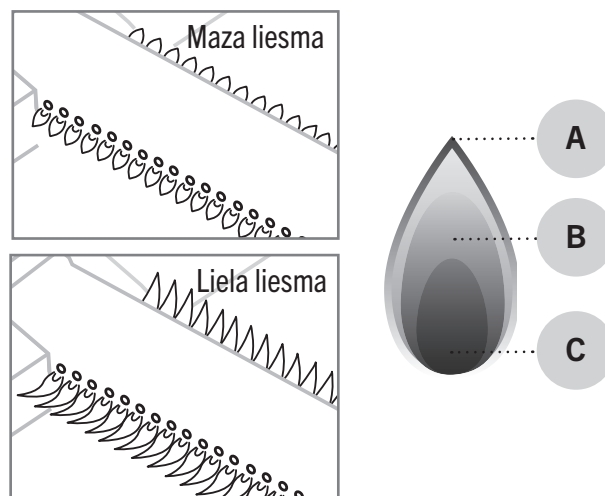
1. Izslēdziet gāzes plūsmu no zemspiediena regulatora, lai nodrošinātu, ka gredzenveida degļi vai gāzes šļūtenē nepaliek gāze.
2. Pagrieziet vadības slēdžus "OFF" stāvoklī.
3. Aizveriet grila vāku.
4. Atvienojiet spiediena regulatoru no gāzes balona.

Slēdžu stāvokļi



Liesmu pārbaude

Vienmēr pārbaudiet liesmu, kad aizdedzināt gredzenveida degli. Degļi jau ir optimāli pielāgoti rūpnīcā, bet mazie caurumi degļos piesaista kukaiņus tur taisīt pūžņus un veidot tīklus. Ja degļi deg pareizi, tikai liesmas gals dažkārt mēdz mirgot dzeltenā krāsā (A) un liesmas krāsa mainās pakāpeniski uz leju no gaiši zilās (B) uz tumši zilu (C).



i Ja liesma nedeg pareizi, pārbaudiet un iztīriet degli. Ja deglis ir bojāts, pirms turpināt izmantot gredzenveida degli, tas ir jānomaina.

LV

Noderīgi ieteikumi

Vispārīgi grilēšanas norādījumi

Grilēšana ir ļoti vienkārša un relaksējoša, ja vien atceraties dažas mazas nianšes un ievērojat šos vispārīgos grilēšanas norādījumus:

- **Grilam jābūt kārtīgi uzkaršētam.** Kad grila restes un pannas ir pienācīgi uzkaršētas, tiek samazināta ēdiena saķere un tiek izveidota pienācīga ēdiena gatavošanas virsma.
- **Negrilējiet ar netīru aprīkojumu!** Vecās marinādes un pārtikas atliekas viegli pielip pie režģa un grilējamā ēdiena. Pēc katras lietošanas vienmēr notīriet grila restes un pannas. Tādā veidā tie ir gatavi nākamajai lietošanai.
- Pirms sākat grilēt, pārlicinieties, ka visi nepieciešamie darbarīki, garšvielas, marinādes un trauki ir tuvumā.
- **Grilējiet ar aizvērtu vāku pēc iespējas biežāk.** Grilējot ar aizvērtu vāku, grila temperatūra nesamazinās un grilēšanas laiks tiek saīsināts.
- **Apdroziet gaļu pēc iespējas retāk,** ar vienu reizi ir pietiekami. Kad ēdiens ilgstoši atrodas uz grila pannas / restēm, uz virsmas izveidojas skaisti brūna virskārta.
- **Termometrs palīdzēs.** Pārāk ilga grilēšana sausiņa ēdienu un sabojā tā garšu. Lai iegūtu labākos rezultātus, izmantojiet gaļas termometru.
- **Ļaujiet gaļai atpūsties 10 – 20 minūtes** pirms gaļas sagriešanas/ēšanas. Gaļai atpūšoties, temperatūra stabilizējas un to griežot neiztek tik daudz šķidruma.

Izvairīšanās no ēdiena pielipšanas

Ēdiena pielipšana pie grila restēm / pannas ir ļoti pazīstama parādība grilētājiem. Lūk, daži padomi, kas palīdzēs izvairīties no liekas ēdiena pieķeršanās:

1. Neaizmirstiet sakarsēt grilu līdz pietiekami augstai temperatūrai.
2. Pirms ēdiena pievienošanas grilam notīriet grila restes un pannas.
3. Pirms grila uzlikšanas apsmērējiet grila zonu un grilējamo ēdienu ar eļļu.
4. Negroziet grilējamo ēdienu pārāk ātri, ļaujiet tā virsmai pienācīgi apcepties.

Marinādes

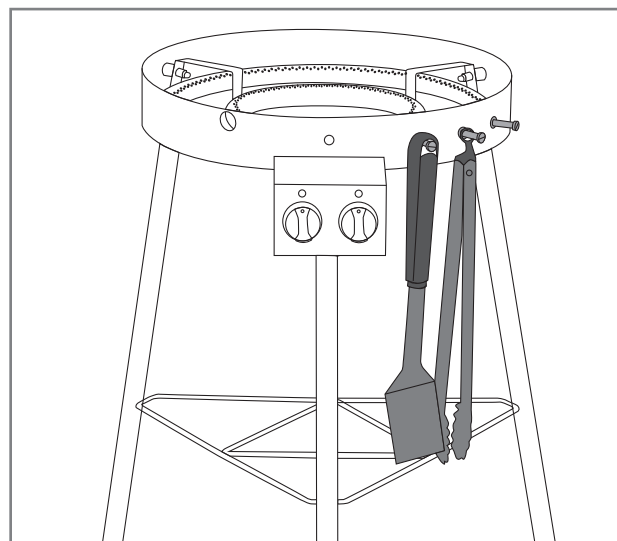
Marināžu izmantošana ir ļoti izplatīta grilēšanā, un to funkcija ir garšvielu pievienošana ēdienam, lai tas iegūtu vēlamo garšu. Tomēr marinādes izraisa arī pārtikas degšanu uz restēm un pannām. Tāpat taukainas marinādes var izlīst uz degļiem un izraisīt nevajadzīgu liesmas uzliesmojumu vai pat tauku aizdegšanos. Izmantojot šos dažus padomus, Jūs samazināsiet marinādes iespējami radītās problēmas:

1. Pirms liekat ēdienu uz grila, mēģiniet noslaucīt marinādes pārpalikumus.
2. Ja grilēšanas laikā pievienojat marinādi, vienmēr izmantojiet grila suku. Nelejiet marinādi tieši no pudeles uz ēdiena.
3. Grilēšanas laikā labāk ir izmantot sausas marinādes.

i Gatavu ēdienu marinēšanai neizmantojiet marinādi, kas palikusi pēc neapstrādātas marinēšanas. Jo baktērijas no jēlas gaļas tiek pārnestas uz gatavo ēdienu.

Palīgierīču āķi

Gredzenveida deglim ir parocīgi piederumu āķi, lai nepieciešamie grilēšanas piederumi būtu viegli sasniedzami.



Grilēšanas temperatūras norādījumi

Zemāk uzskaitīti lielākajai daļai sastāvdaļu ieteicamie grilēšanas laiki un temperatūras. Grilēšanas laiku var ietekmēt vējš, lietus, āra temperatūra un grila tīrība.



Liellops

Sastāvdaļa	Biezums / svars	Grilēšanas metode	Grilēšanas laiks
Sarkanās filejas / filejas steiks	aptuveni 2 cm.	Tiešs liels karstums	2,5 – 3,5 min. / puse
Sarkanās filejas / filejas steiks	aptuveni 5 cm.	Tiešs liels karstums Netiešs vidējs karstums	2,5 min. / puse 8–10 min.
Vesela fileja	Aptuveni 1,5 kg.	Tiešs liels karstums Netiešs vidējs karstums	3 min. / puse 20 – 30 min.
Cepetis	Aptuveni 1,5 kg.	Tiešs vidējs karstums Netiešs vidējs karstums	3 – 4 min. / puse 30 – 40 min.
Burģera gaļa	aptuveni 2 cm.	Tiešs liels karstums	2 – 3 min. / puse
Iekšējā temperatūra			
Jēla – gandrīz jēla		47 – 51 °C	
Vidēja		52 – 58 °C	
Gandrīz gatava – gatava		59 – 66 °C	



Cūkgaļa

Sastāvdaļa	Biezums / svars	Grilēšanas metode	Grilēšanas laiks
Filejas steiks, ribiņa	aptuveni 2 cm.	Tiešs liels karstums	2 – 2,5 min. / puse
Fileja	Aptuveni 600 g.	Tiešs liels karstums Netiešs vidējs karstums	3 min. / puse 20 – 30 min.
Grila ribiņas / ribiņas	Aptuveni 1,5 kg.	Netiešs vidējs karstums Tiešs liels karstums	60 – 90 min. 4 min. / puse
Cūkas kakls	aptuveni 3 cm.	Tiešs vidējs karstums Netiešs vidējs karstums	2,5 – 3 min. / puse 15 – 20 min.
Jēla desa	Aptuveni 400 g.	Tiešs zems karstums	2 – 3 min. / puse
Iekšējā temperatūra			
Gatava fileja		65 – 70 °C	
Nogatavinātas citas sastāvdaļas		65 – 70 °C	

LV



Vistas un tītara gaļa

Sastāvdaļa	Biezums / svars	Grilēšanas metode	Grilēšanas laiks
Krūtiņas fileja	Aptuveni 200 g.	Tiešs vidējs karstums	5 – 6 min. / puse
Stilbi	Aptuveni 120 g.	Tiešs vidējs karstums	5 – 6 min. / puse
Spārniņi	Aptuveni 500 g.	Tiešs vidējs karstums Netiešs vidējs karstums	6 – 10 min. 30 – 40 min.
Vesels broilers	Aptuveni 900 g.	Netiešs vidējs karstums	60 – 75 min.
Iekšējā temperatūra			
Gatavs		75 °C	



Zivs

Sastāvdaļa	Biezums / svars	Grilēšanas metode	Grilēšanas laiks
Plāna fileja	Aptuveni 200 g.	Tiešs vidējs karstums	2 – 3 min. / puse
Bieza fileja	Aptuveni 120 g.	Tiešs vidējs karstums	5 – 6 min. / puse
Vesela zivs	Aptuveni 500 g.	Netiešs vidējs karstums	20 – 30 min.
Iekšējā temperatūra			
Sārta		45 – 50 °C	
Pilnīgi gatava		55 – 60 °C	



Dārzeņi

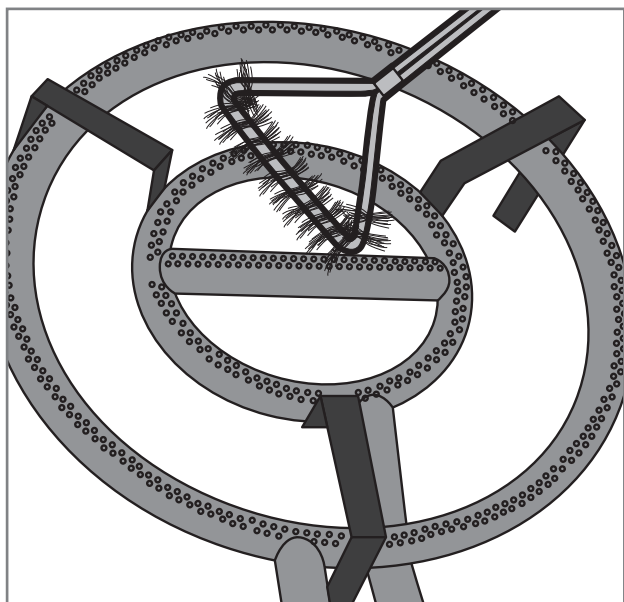
Sastāvdaļa	Biezums / svars	Grilēšanas metode	Grilēšanas laiks
Nobriedusi kukurūza		Tiešs vidējs karstums	6 min.
Tomāti		Tiešs vidējs karstums	6 min. / puse
Sparģeļi		Tiešs vidējs karstums	3 – 5 min.
Kartupeļu šķēlītes		Tiešs vidējs karstums Netiešs vidējs karstums	5 – 8 min. 10 – 15 min.
Svaigi kartupeļi		Netiešs vidējs karstums	45 – 60 min.

Grila tīrīšana un uzglabāšana

Degļi

Ierīces degļi ir vissvarīgākie ierīces darbībai un sildīšanai, tāpēc to tīrība un stāvoklis ir regulāri jāpārbauda. Nelieli caurumi degļos piesaista kukaiņus un zirnekļus, kas tajos veido ligzdas. Šie aizsprostojumi izraisa nevienmērīgu un netīru liesmu. Aizsprostojumi var izraisīt liesmas degšanu ārpus gāzes caurules, kas savukārt var nopietni sabojāt grilu. Iztīriet degļus, ievērojot turpmāk sniegtos norādījumus:

1. Pārlicinieties, ka gredzenveida deglis ir izslēgts.
2. Degļu virsmu tīrīšanai izmantojiet griliem paredzēto misiņa tīrīšanas birsti.
3. Pārlicinieties, ka degļa atveres ir atvērtas un tīras. Šim nolūkam var izmantot plānu stiepli.
4. Ja deglis ir bojāts vai stipri sarūsējis, pārtrauciet produkta lietošanu vai nomainiet degli pret jaunu.
5. Vienlaikus pārbaudiet, vai vārsta sprausla ir tīra un nebojāta.



Tērauda detaļas

Tērauda detaļu tīrīšanai var izmantot šādas vispārīgas vadlīnijas:

1. Notīriet gredzenveida degļa tērauda daļas ar Mustang Grill Cleaner, Mustang Grille Cleaner vai maigu trauku mazgāšanas līdzekli un tīrīšanas drānu.
2. Neaizmirstiet rūpīgi nosusināt notīrītās detaļas.
3. Vadības paneļa un brīdinājuma teksta virsmu tīrīšanai nelietojiet mazgāšanas līdzekļus, jo tie var izdzēst tekstus vai citus drošības marķējumus.
4. Vismaz trīs reizes gadā notīriet visas grila ārējās virsmas, lai novērstu netīrumu pielipšanu pie virsmām.
5. Vienmēr pārbaudiet jauna tīrīšanas līdzekļa piemērotību neuzkrītošā vietā.



Hlors un sāls var izraisīt grila rūšēšanu. Tātad, ja lietojat grilu jūras vai peldbaseina tiešā tuvumā, grils ir jātīra katru nedēļu.

Glabāšana

Skatiet šos norādījumus, kad ilgāk atpūšaties no grilēšanas vai vēlaties, piemēram, uzglabāt gredzenveida degli ziemas sezonai. Pareizi uzglabāts, deglis kalpos ilgāk un gadu no gada būs darba kārtībā. Uzglabājot gredzenveida degli, ievērojiet turpmāk sniegtos norādījumus:

1. Notīriet gredzenveida degli saskaņā ar norādījumiem, kas sniegti īpašnieka rokasgrāmatā.
2. Aizdedziniet degli un ļaujiet tam karsēties apmēram 15 minūtes, kad visas tērauda daļas ir sausas.
3. Ļaujiet gredzenveida deglim atdzist.
4. Noņemiet zemspiediena regulatoru no gāzes balona.
5. Vienmēr uzglabājiet balonu ārpus telpām un pārlicinieties, ka tas nav pakļauts karstuma vai saules gaismas iedarbībai.
6. Glabājiet gredzenveida degli sausā vietā.

Problēmu novēršana

Visiem griliem var būt darbības traucējumi. Šie defekti parasti ir viegli novēršami. Ja zemāk redzamajā diagrammā neatrodāt atbildi uz savu problēmu, sazinieties ar izplatītāju.

Problēma	Iespējamais iemesls	Risinājums
Gāzei nav plūsmas	Zemspiediena regulators ir aizvērts	Atveriet gāzes ieplūdes atveri no spiediena regulatora vadības ierīces
	Zemspiediena regulators nav pareizi pievienots balonam	Atvienojiet zemspiediena regulatoru un uzmanīgi pievienojiet to no jauna
	Bojāta gāzes šļūtene vai spiediena regulators	Nomainiet gāzes šļūteni vai spiediena regulatoru un veiciet noplūdes pārbaudi
Deglis neaizdegas ar sērskociņu vai šķiltavām	Degļa atveres ir aizsprostotas	Iztīriet degļus, saskaņā ar norādījumiem
	Degļi nav pareizi savienoti ar vārstiem	Pārbaudiet degļu uzstādīšanu un stāvokli
Grils kārtīgi neuzsilst	Gaisa padeve uz degļiem ir traucēta	Pārbaudiet un notīriet degļus
	Pārāk maz gāzes	Nomainiet gāzes balonu ar jaunu
	Gāzes padeve ir bloķēta	Pārbaudiet, vai gāzes padeves šļūtene nav bojāta vai sastiepta
Liesma ir nevienmērīga vai deg pilnīgi dzeltena, vai dūmo	Degļi nesaņem pietiekami daudz gaisa	Iztīriet degļus, saskaņā ar norādījumiem
	Uz degļu virsmas ir iestrēdzis ēdiens, sāls vai marinādes	
Liesma nodziest	Pārāk stiprs vējš	Pārvietojiet grilu aizvējā
	Trūkst gāzes	Nomainiet gāzes balonu
Liesmas ir redzamas degļu ārpusē	Aizsprotojumi degļos	Pārbaudiet un notīriet degļus
	Stiprs vējš	Pārvietojiet grilu aizvējā
Spiediena regulators dūc / rūc	Augsta āra temperatūra	Nav nepieciešams rīkoties. Īslaicīgs stāvoklis
	Pilns gāzes balons	

Garantija

“Mustang” gāzes griliem un to detaļām ir vismaz 24 mēnešu ražošanas un materiālu garantija. Tomēr garantijas nosacījumi atšķiras atkarībā no modeļa, tāpēc, lai uzzinātu jaunākos garantijas noteikumus un nosacījumus, lūdzu, apmeklējiet mūsu tīmekļa vietni.

mustang-grill.com

Saistībā ar visiem garantijas jautājumiem, Jums būs nepieciešams uzrādīt čekus, kas apliecina pirkuma vietu un datumu.



MUSTANG

LT

Naudotojo vadovas

Sveiki atvykę į „Mustang“ kepsninių pasaulį

Labai džiaugiamės, kad pasirinkote dujinę „Mustang“ kepsninę. „Mustang“ nori tapti jūsų grilio draugu ir suteikti svajonių potyrius naudojantis kepsnine. „Mustang“ atsirado iš noro atsipalaidavus ir neskubant mėgautis maisto gamyba su šeima ar draugais, tad tą pačią idėją norime pasiūlyti ir jums.

„Mustang“ kepsninės ir priedai yra rūpestingai planuojami ir gaminami, tad galime drąsiai jais didžiuotis. Mūsų ilgalaikė patirtis ir profesionalumas regimi kiekviename mūsų gaminyje, kurie turi visas svarbiausias funkcijas bei savybes. Esame tikri, kad ši kepsninė jus džiugins ilgą laiką, tik svarbu nepamiršti jos prižiūrėti ir valyti pagal šio naudojimo vadovo instrukcijas.

Visapusiškas kepsninių asortimentas

„Mustang“ yra Suomijos įmonei „Tammer Brands Oy“ priklausantis prekės ženklas. „Mustang“ siūlo visą kepsninių įrangą, priedus, reikmenis ir atsargines dalis bei platų rūkymui ir picų kepimui skirtų gaminių pasirinkimą. Puikiai pažįstame kepsninių kultūrą, tad galime užtikrintai pasiūlyti pačius tinkamiausius ir šiuolaikiškiausius gaminius. Taigi, „Mustang“ yra toks prekės ženklas, kurio vieno pakanka sėkmingam maisto ruošimui kepsninėje.

Klientų aptarnavimas

Tammer Brands Oy,
Tel. 03 252 1111
Viinikankatu 36,
33800 Tampere, Suomija

TAMMER
BRANDS | EST 1954

mustang-grill.com



Prieš naudodami kepsninę atidžiai perskaitykite naudojimo instrukcijas ir jas išsaugokite vėlesnėms reikmėms.

Sekite mus socialiniuose tinkluose



mustanggrill

LT


MUSTANG

Turinys

Surinkimo nurodymai	3
Prieš surinkimą	7
Saugos instrukcijos ir įspėjimai	128
Žiedinio degiklio montavimas	128
Su dujomis susijusios saugos instrukcijos	128
Bendrosios saugos instrukcijos	129
Dujų prijungimas prie žiedinio degiklio	130
Informacija apie suskystintas dujas	130
Dujų žarnos prijungimas	130
Žemo slėgio regulatoriaus prijungimas	131
Suskystintų dujų nuotėkio tikrinimas	131
Žiedinio degiklio naudojimas	132
Veiksmai prieš kiekvieną naudojimą	132
Degiklio uždegimas degtuku arba ilgu žiebtuvėliu	133
Degiklių išjungimas	133
Reguliatorių padėtys	133
Liepsnos tikrinimas	133

Naudingi patarimai	134
Bendrosios kepimo instrukcijos	134
Ką daryti, kad maistas nepriliptų	134
Marinatai	134
Priedų kabliukai	134
Kepimo temperatūrų vadovas	135
Kepsninės išvalymas ir sandėliavimas	137
Degikliai	137
Plieninės dalys	137
Laikymas	137
Trikčių diagnostika	138
Garantija	139



Saugos instrukcijos ir įspėjimai

Naudodami šį žiedinį degiklį, prieš pradėdami naudoti prietaisą, privalote atidžiai perskaityti ir atkreipti dėmesį į šiame vadove pateiktus įspėjimus ir saugos instrukcijas. Šis įrenginys paženklintas CE ženklu pagal galiojančias taisykles.

Simbolių paaiškinimas



PAVOJUS!



DĖMESIO!

Žiedinio degiklio montavimas



Šis prietaisas skirtas naudoti tik lauke. Jo niekada negalima naudoti patalpose ar uždarose patalpose. Patikrinkite toliau nurodytus dalykus, į kuriuos reikia atsižvelgti.

- Žiedinį degiklį naudokite tik lauke.
- Nenaudokite žiedinio degiklio šalia sienos, garaže, karavane ar namelyje ant ratų, bet kokioje kitoje uždaroje erdvėje ar patalpoje.
- Įsitinkite, kad aplink ir virš kiekvienos žiedinio degiklio pusės yra bent vienas metras laisvos erdvės.
- Įsitinkite, kad šalia žiedinio degiklio turite priešgaisrinę antklodę / rankinį gesintuvą ir pirmosios pagalbos rinkinį.
- Žiedinio degiklio negalima statyti ant jautrių paviršių ar šalia jų, nes įprastai naudojant jis gali purkšti ir lašėti riebalai bei marinatai.
- Įsitinkite, kad žiedinis degiklis ir dujų balionas stovi ant horizontalaus paviršiaus.

Su dujomis susijusios saugos instrukcijos



Kepsninės pagrindinį vožtuvą, degiklius ir dujų čiaupus gali prižiūrėti ir reguliuoti tik teisę montuoti dujinius prietaisus turinti įmonė. Peržiūrėkite toliau pateiktus svarbius dalykus.

- Po naudojimo visada užsukite dujų balioną ir nuimkite nuo jo žemo slėgio reguliatorių.
- Su suskystintų dujų balionais elkitės atsargiai, jų nemėtykite ir netrankykite. Nelaikykite suskystintų dujų baliono ten, kur temperatūra gali viršyti +50 °C.
- Prieš naudojimą visada patikrinkite dujų žarnos būklę.
- Reguliariai atlikite nuotėkio testą pagal instrukcijas. Nuotėkio testas ypač svarbus, kai žiedinis degiklis ilgą laiką nebuvo naudojamas arba kai pakeitėte dujų balioną, žemo slėgio reguliatorių ar žarną.
- Pajutę stiprų dujų kvapą, nedelsdami išjunkite dujų tiekimą ir visus valdiklius nustatykite į padėtį OFF. Tada atlikite nuotėkio bandymą ir sutvarkykite jungtis. Jei nepavyksta rasti gedimo, kreipkitės į aptarnavimo tarnybą arba pardavėją.
- Niekada netikrinkite dujų nuotėkio su atvira liepsna.
- Kai naudojamas žiedinis degiklis, neatjunkite dujų žarnos arba mažo slėgio reguliatoriaus.

Bendrosios saugos instrukcijos



Naudojant žiedinį degiklį ne pagal paskirtį, gali kilti pavojus. Visiškai draudžiama keisti žiedinio degiklio konstrukciją, net ir mažiausiais būdais. Patikrinkite toliau nurodytus dalykus, į kuriuos reikia atsižvelgti.

- Atidžiai laikykitės surinkimo instrukcijų ir įsitinkite, kad surinkimo metu neliko nesumontuotų dalių. Jei nesilaikysite instrukcijų arba sumontuosite ne visas dalis, gali kilti problemų naudojant prietaisą. Naudotojas yra atsakingas už teisingą žiedinio degiklio surinkimą.
- Prieš naudodami žiedinį degiklį perskaitykite instrukcijas ir išsaugokite jas ateityje.
- Naudojant žiedinį degiklį jis įkaista, todėl būkite ypač atsargūs, jei šalia yra vaikų, pagyvenusių žmonių ar naminių gyvūnų.
- Netoli žiedinio degiklio neturi būti degių medžiagų, skysčių ar dujų balionų, neprijungtų prie degiklio.
- Uždegdami žiedinį degiklį nesilenkite virš jo.
- Naudojant žiedinį degiklį negalima palikti be priežiūros.
- Naudodami žiedinį degiklį jo nejudinkite.
- Naudodami žiedinį degiklį mūvėkite karščiui atsparias pirštines.
- Įsitinkite, kad ant žiedinio degiklio nėra riebalų ir marinatų.
- Nenaudokite žiedinio degiklio, jei jis veikia netinkamai.
- Neleiskite vaikams naudotis žiediniu degikliu.
- Alkoholis, receptiniai vaistai ir visų rūšių svaiginamosios medžiagos gali turėti įtakos naudotojo gebėjimui saugiai ir tinkamai naudoti žiedinį degiklį.

Dujų prijungimas prie žiedinio degiklio

Informacija apie suskystintas dujas

Prieš naudodami žiedinį degiklį turite įsigyti suskystintų dujų balioną, mažo slėgio reguliatorių ir dujų žarną. **Jie nėra įtraukti į tiekimo komplektą.**

Suskystintos dujos - itin lengvai užliepsnojančios naftos dujos, laikomos slėginiuose dujų balionuose. Suskystintų dujų balionai būna 5-11 kg svorio. Patikrinkite, ar nupirktas balionas nėra įlenktas, aprūdijęs, ar nepažeistas jo vožtuvas. Dujų balioną visada gabenkite vertikaliaje padėtyje ir gerai įtvirtintą. Buitinis dujų balionas turi būti ne daugiau nei 615 mm aukščio ir 310 mm skersmens.

Dujos iš baliono į žiedinį degiklį tiekiamos per mažo slėgio reguliatorių ir žarną. Žemo slėgio reguliatorius padeda dujoms tolygiai tekėti į žiedinį degiklį.

⚠ Prie baliono jungiamas slėgio reguliatorius negali būti reguliuojamas, jo darbinis slėgis turi siekti 30 mbar.

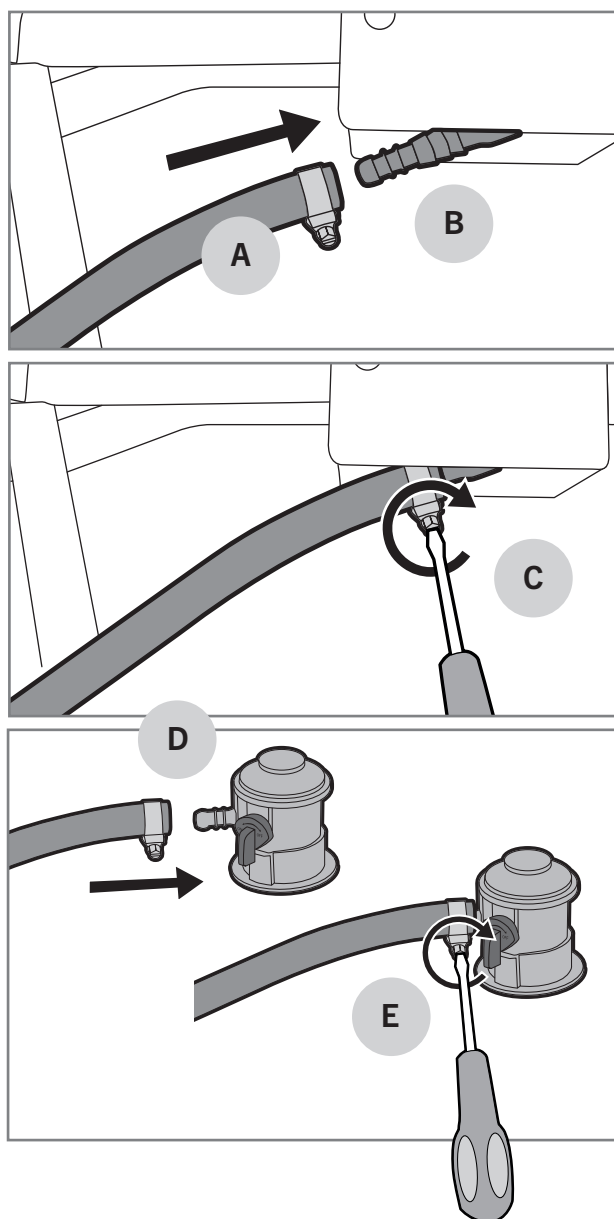
⚠ Dujų žarna turi būti ne ilgesnė nei 1,2 m, jos skersmuo negali viršyti 10 mm (Dėmesio: Švedijoje maks. 8 mm).

i Slėgio reguliatorius turi atitikti standartą EN16129. Ant slėgio reguliatoriaus pažymėtas 29 mbar darbinis slėgis pagal nominalų slėgį.

i Dujų žarna turi atitikti standartą EN16436.

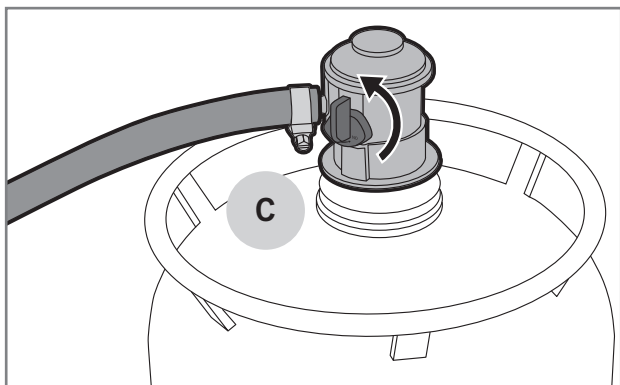
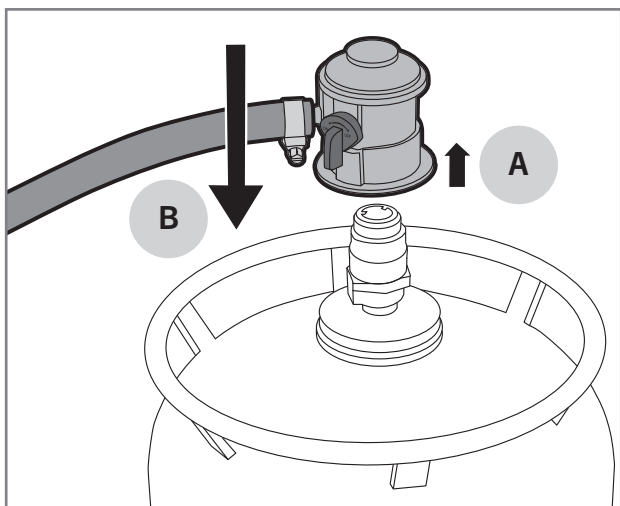
Dujų žarnos prijungimas

1. Patikrinkite dujų žarnos būklę.
2. Įsitinkite, kad visos žiedinio degiklio valdymo rankenėlės yra pasuktos į padėtį OFF (išjungta).
3. Dujų žarną (A) tvirtai įkiškite į žarnos griebtuvą (B) iki galo.
4. Pritvirtinkite žarną prie žarnos laikiklio naudodami žarnos spaustuką (C).
5. Kitą dujų žarnos galą įstatykite į žemo slėgio reguliatoriaus lizdą (D).
6. Užveržkite žarną slėgio reguliatoriaus lizde žarnos spaustuku (E).



Žemo slėgio reguliatoriaus prijungimas

1. Patikrinkite žemo slėgio reguliatoriaus būklę.
2. Prijunkite slėgio reguliatorių prie baliono traukdami užrakto žiedą aukštyn (A) ir tuo pačiu spausdami reguliatorių į balioną (B).
3. Patikrinkite prijungimą stipriai trūktelėdami reguliatorių aukštyn.
4. Lėtai atsukite reguliatoriumi dujas, kad išsilygin-tų slėgis (C).

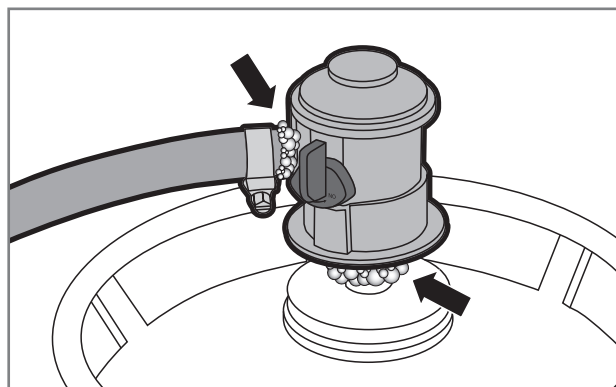
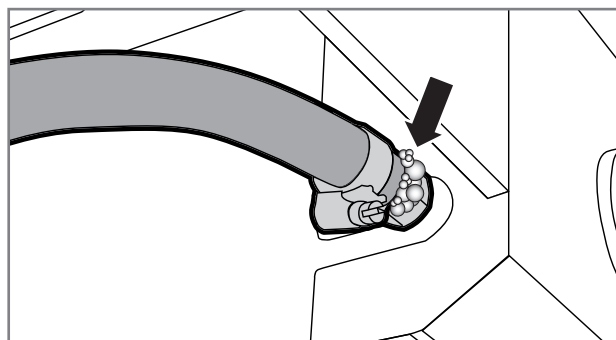


Suskystintų dujų nuotėkio tikrinimas

Pakeitus dujų balioną, slėgio reguliatorių arba dujų žarną, reikia visada patikrinti, ar nėra nuotėkio. Be to, patikrinimą reikia reguliariai atlikti kasmet ir ypač po ilgesnių sandėliavimo periodų. Nuotėkį visada tikrinkite pagal toliau pateiktą instrukciją.

1. Įsitikinkite, kad visų degiklių valdikliai yra išjungti.
2. Atsukite žemo slėgio reguliatorių.
3. Visus vožtuvus, žarnos ir slėgio reguliatoriaus tvirtinimo vietas, dujų baliono jungtis ir suvirinimo siūles sudrėkinkite muilo tirpalu (30 % indų ploviklio arba skysto muilo ir 70 % vandens). Tam galima naudoti šepetį arba purškiamą buteliuką.
4. Atidžiai stebėkite, ar neatsiras oro burbuliukų. Burbuliukai rodo, kad yra dujų nuotėkis.
5. Pastebėję burbuliukus, užsukite dujas ir užveržkite sujungimus ten, kur atsirado burbuliukų.
6. Jei burbuliukų pasirodo ant žarnos arba dujų baliono, tą dalį reikia pakeisti.
7. Atsukite dujas ir iš naujo tikrinkite nuotėkį.
8. Muilo tirpalą nuplaukite švariu vandeniu, kad dalys nepradėtų rūdyti.

⚠ Nenaudokite žiedinio degiklio, jei negalite pašalinti dujų nuotėkio. Tokiu atveju atjunkite mažo slėgio reguliatorių nuo dujų baliono ir kreipkitės į aptarnavimo tarnybą / pardavėją.



Žiedinio degiklio naudojimas

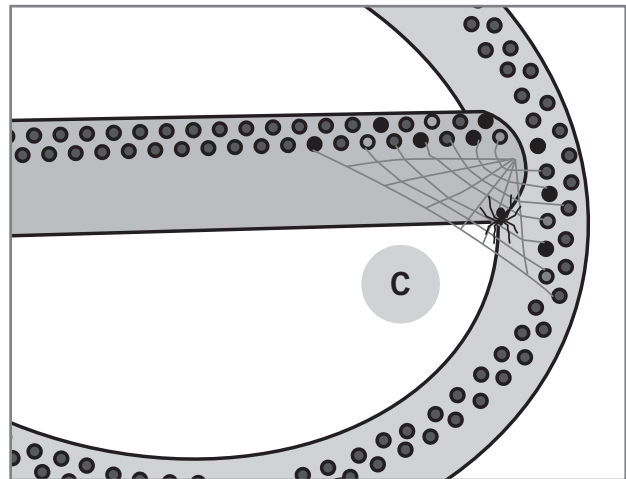
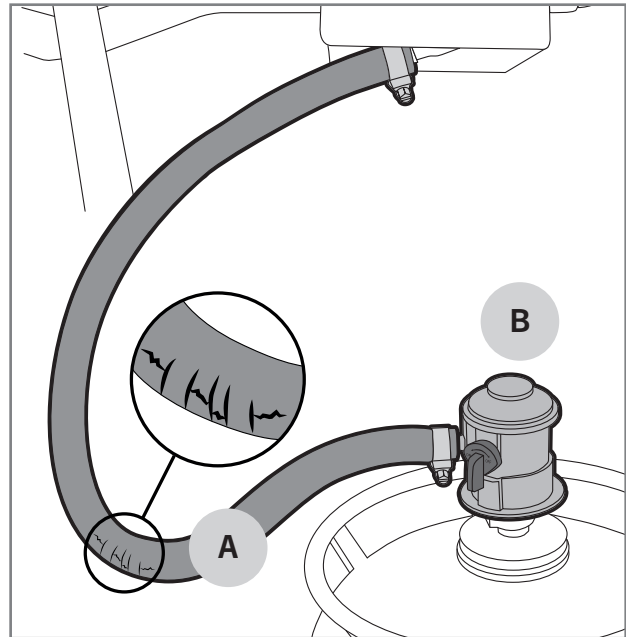
Veiksmai prieš kiekvieną naudojimą

Norint saugiai ir tinkamai naudoti žiedinį degiklį, prieš kiekvieną naudojimą reikia atlikti keletą patikrinimų. Atidžiai peržiūrėkite toliau pateiktą kontrolinį sąrašą:




1. Patikrinkite, ar žiedinis degiklis pastatytas teisingai ir ar šalia nėra degių medžiagų ar skysčių.
2. Patikrinkite, ar dujų žarnoje nėra įtrūkimų ar įplyšimų (A).
3. Patikrinkite, ar gerai pritvirtintas žemo slėgio reguliatorius (B).
4. Patikrinkite, ar ant degiklių nėra riebalų ir marinatų. Taip išvengsite riebalų gaisro.
5. Patikrinkite, ar degiklių skylutėse nėra vabzdžių lizdų arba voratinklų (C).
6. Patikrinkite, ar stelažai ir kita kepimo įranga yra švarūs.



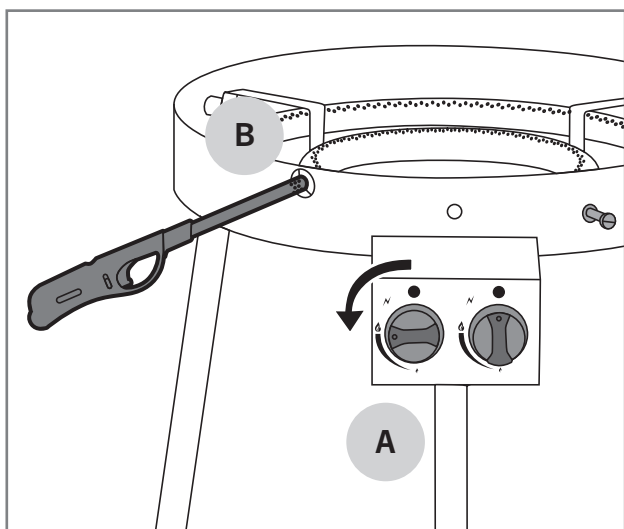
Nenaudokite žiedinio degiklio, jei pažeista dujų žarna arba trūksta dalių.



Degiklio uždegimas degtuku arba ilgu žiebtuvėliu

1. Žemo slėgio reguliatoriumi įjunkite dujas.
2. Uždekite ilgą degtuką arba žiebtuvėlį.
3. Paspauskite kairiojo degiklio valdymo rankenėlę ir pasukite ją į  (A).
4. Naudodami uždegimo angą (B), ilgą degtuką arba ilgą žiebtuvėlį priartinkite prie degiklio maždaug vieno centimetro atstumu.
5. Įjungus pirmąjį degiklį, antrąjį degiklį galima įjungti sukant valdiklį prieš laikrodžio rodyklę tarp sričių  ir .

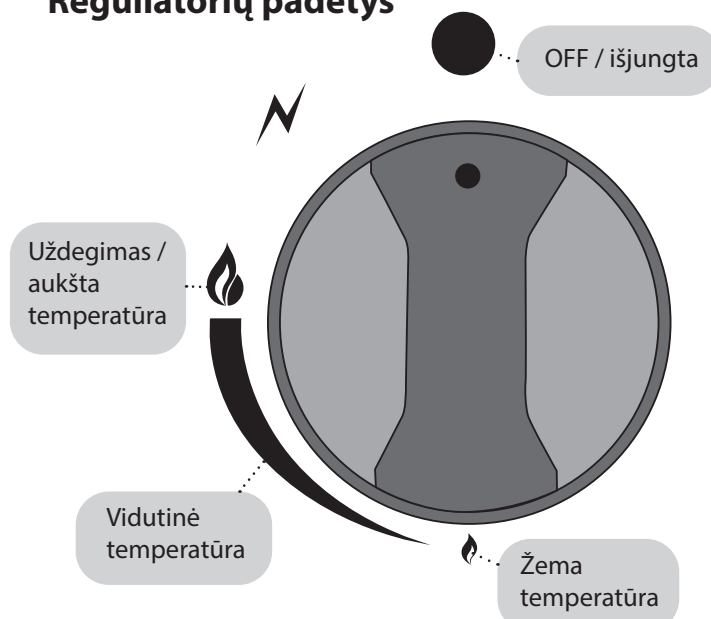
i Jei degiklis neužsidega per penkias sekundes, pasukite reguliatorių į OFF padėtį ir ieškokite sprendimo problemų šalinimo lentelėje.



Degiklių išjungimas

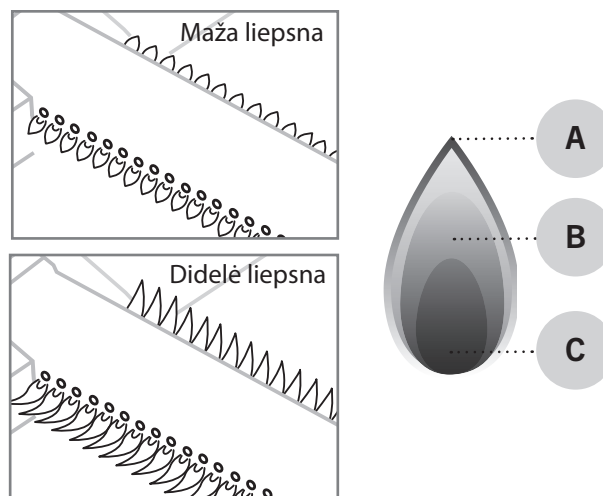
1. Iš mažo slėgio reguliatoriaus nutraukite dujų srautą, kad žiediniame degiklyje arba dujų žarnoje neliktų dujų.
2. Pasukite reguliavimo mygtuką į OFF padėtį.
3. Uždarykite kepsninės dangtį.
4. Nuimkite slėgio reguliatorių nuo dujų baliono.

Reguliatorių padėtys



Liepsnos tikrinimas

Uždegdami žiedinį degiklį visada patikrinkite liepsną. Degikliai jau gamykloje nustatyti optimaliu režimu, bet jų mažos skylutės vilioja vabzdžius veistis ir megzti tinklus. Kai degikliai dega tinkamai, retkarčiais virpa tik geltonas liepsnos galiukas (A), o liepsnos spalva, žiūrint žemyn, kinta nuo šviesiai mėlynos (B) iki tamsiai mėlynos (C).



i Jei liepsna dega netinkamai, patikrinkite ir išvalykite degiklį. Jei degiklis pažeistas, prieš toliau naudojant žiedinį degiklį jį reikia pakeisti.

Naudingi patarimai

Bendrosios kepimo instrukcijos

Kepsninės naudojimas - lengvas ir atpalaiduojantis užsiėmimas, tik reikia nepamiršti kelių smulkmenų ir laikytis bendrųjų kepimo instrukcijų.

- **Kepsninė turi tinkamai įkaisti.** Jei kepsninės ir kepimo grotelės tinkamai įkaista, prie jų mažiau limpa maistas, o patiekalų paviršius gražiai apkepa.
- **Kepimui nenaudokite nešvarių reikmenų.** Senas marinatas ir maisto likučiai greitai prilimpa prie grotelių ir kepimo patiekalo. Po kiekvieno naudojimo išvalykite kepsninės ir kepimo grotelės. Taip paruošite jas kitam kartui.
- Prieš pradėdami kepti pasirūpinkite, kad visi reikiami darbo įrankiai, prieskoniai, marinatas ir indai būtų lengvai pasiekiami.
- **Kuo dažniau kepkite uždengę kepsninės dangtį.** Kepant uždarytu dangčiu nenukrenta kepsninės temperatūra ir sutrumpėja kepimo trukmė.
- **Kuo mažiau vartykite kepamą mėsą,** pakanka vieno karto. Jei patiekalas ant kepsninės / kepimo grotelių guli nejudinamas, jo paviršius gražiai parunda.
- **Naudokite termometrą!** Per ilgą kepimo trukmę išsausina patiekalą ir sugadina jo skonį. Geriausią rezultatą gausite naudodami mėsos termometrą.
- Prieš pjaustydami / valgydami mėsą **palaukite 10-20 minučių.** Mėsai vėstant išsilygina temperatūra ir pjaustymo metu išsiskiria mažiau sulčių.

Ką daryti, kad maistas nepriliptų

Kepėjams gerai žinoma, kad maistas prilimpa prie kepsninės / kepimo grotelių. Štai keli patarimai, kaip to išvengti.

1. Nepamirškite pakankamai įkaitinti kepsninės.
2. Prieš dėdami patiekalus į kepsninę, išvalykite kepsninės ir kepimo grotelės.
3. Prieš užpildydami kepsninę, kepamus produktus ir kepimo zoną patepkite aliejumi.
4. Nevartykite kepamų patiekalų per greitai, palaukite, kol viena pusė tinkamai iškeps.

Marinatai

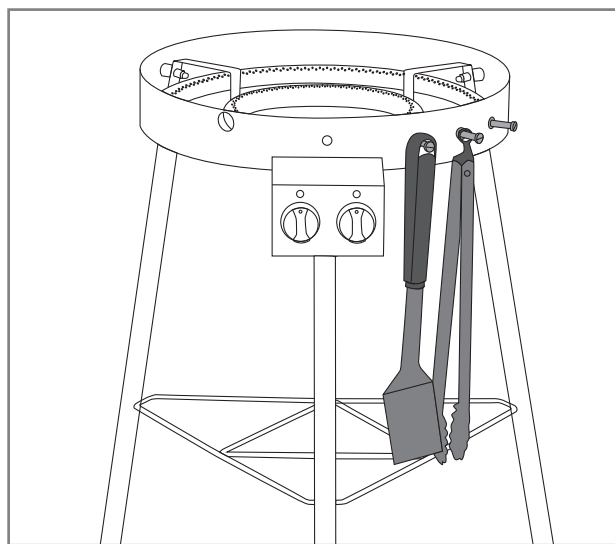
Marinatai labai dažnai naudojami kepsninėse, kad patiekalams suteiktų norimą skonį. Tačiau dėl marinato maistas pridega prie kepsninės ir kepimo grotelių. Be to, aliejingas marinatas gali nutekėti ant degiklių, per daug sustiprinti liepsną arba netgi uždegti riebalus. Šie keli patarimai padės sumažinti marinato keliamas problemas.

1. Prieš dėdami patiekalus į kepsninę nuvalykite marinato perteklių.
2. Jei marinato dar pilsite kepimo metu, tam naudokite kepsninės teptuką. Marinato negalima pilti ant maisto tiesiai iš butelio.
3. Kepimo metu geriau naudokite sausą marinatą.

i Nenaudokite nuo žalių produktų marinavimo likusio skysčio paruoštiems patiekalams marinuoti. Šitaip žalios mėsos bakterijos pateks į paruoštą patiekalą.

Priedų kabliukai

Žiedinis degiklis turi patogius priedų kabliukus, kad galėtumėte lengvai pasiekti reikiamus kepimo priedus.



Kepimo temperatūrų vadovas

Toliau pateikta dažniausiai naudojamų produktų orientacinė kepimo trukmė ir temperatūra. Kepimo trukmei įtakos gali turėti vėjas, lietus, lauko temperatūra ir kepsninės švarumas.



Jautiena

Sudėtinė dalis	Storis / svoris	Kepimo būdas	Kepimo trukmė
Vidinės / išorinės nugarinės kepsnys	apie 2 cm	Tiesioginė didelė kaitra	2,5–3,5 min / viena pusė
Vidinės / išorinės nugarinės kepsnys	apie 5 cm	Tiesioginė didelė kaitra Netiesioginė vidutinė kaitra	2,5 min / viena pusė 8 – 10 min
Visa nugarinė	apie 1,5 kg	Tiesioginė didelė kaitra Netiesioginė vidutinė kaitra	3 min / viena pusė 20 – 30 min
Didkepsnis	apie 1,5 kg	Tiesioginė vidutinė kaitra Netiesioginė vidutinė kaitra	3–4 min / viena pusė 30 – 40 min
Mėsainio kepsnys	apie 2 cm	Tiesioginė didelė kaitra	2–3 min / viena pusė
Vidaus temperatūra			
Žalias – beveik žalias		47 – 51 °C	
Medium (vidutinis)		52 – 58 °C	
Beveik iškepęs – iškepęs		59 – 66 °C	



Kiauliena

Sudėtinė dalis	Storis / svoris	Kepimo būdas	Kepimo trukmė
Mėsos filė kepsnys, šonkaulių išpjova	apie 2 cm	Tiesioginė didelė kaitra	2–2,5 min / viena pusė
Nugarinė	apie 600 g	Tiesioginė didelė kaitra Netiesioginė vidutinė kaitra	3 min / viena pusė 20 – 30 min
Kepsninėje kepami šonkauliai	apie 1,5 kg	Netiesioginė vidutinė kaitra Tiesioginė didelė kaitra	60 – 90 min 4 min / viena pusė
„Kassler“ kepsnys	apie 3 cm	Tiesioginė vidutinė kaitra Netiesioginė vidutinė kaitra	2,5–3 min / viena pusė 15 – 20 min
Žalios mėsos dešra	apie 400 g	Tiesioginė maža kaitra	2–3 min / viena pusė
Vidaus temperatūra			
Iškepta filė		65 – 70 °C	
Iškeptos kitos sudėtinės dalys		65 – 70 °C	

LT



Vištiena ir kalakutiena

Sudėtinė dalis	Storis / svoris	Kepimo būdas	Kepimo trukmė
Krūtinėlės filė	apie 200 g	Tiesioginė vidutinė kaitra	5–6 min / viena pusė
Ketvirtis	apie 120 g	Tiesioginė vidutinė kaitra	5–6 min / viena pusė
Sparneliai	apie 500 g	Tiesioginė vidutinė kaitra Netiesioginė vidutinė kaitra	6 – 10 min 30 – 40 min
Visas viščiukas	apie 900 g	Netiesioginė vidutinė kaitra	60 – 75 min
Vidaus temperatūra			
Iškepęs		75 °C	



Žuvis

Sudėtinė dalis	Storis / svoris	Kepimo būdas	Kepimo trukmė
Plona filė	apie 200 g	Tiesioginė vidutinė kaitra	2–3 min / viena pusė
Stora filė	apie 120 g	Tiesioginė vidutinė kaitra	5–6 min / viena pusė
Visa žuvis	apie 500 g	Netiesioginė vidutinė kaitra	20 – 30 min
Vidaus temperatūra			
Rausva		45 – 50 °C	
Visiškai iškepusi		55 – 60 °C	



Daržovės

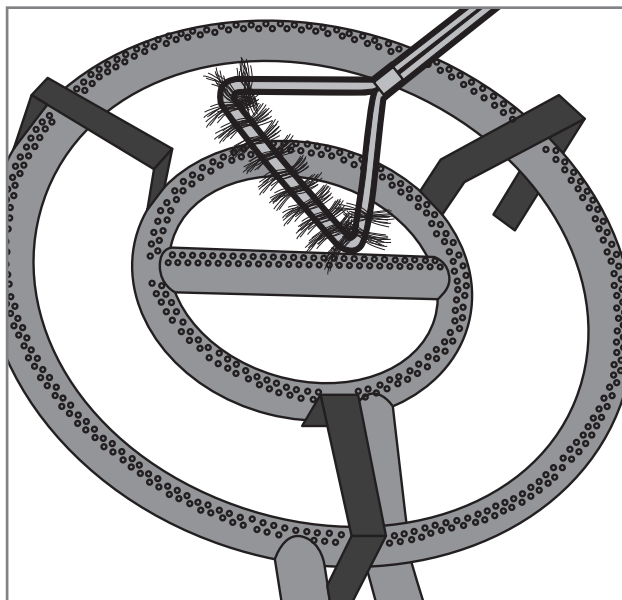
Sudėtinė dalis	Storis / svoris	Kepimo būdas	Kepimo trukmė
Prinokęs kukurūzas		Tiesioginė vidutinė kaitra	6 min
Pomidoras		Tiesioginė vidutinė kaitra	6 min / viena pusė
Smidrai		Tiesioginė vidutinė kaitra	3 – 5 min
Bulvių skiltelės		Tiesioginė vidutinė kaitra Netiesioginė vidutinė kaitra	5 – 8 min 10 – 15 min
Žalia bulvė		Netiesioginė vidutinė kaitra	45 – 60 min

Kepsninės išvalymas ir sandėliavimas

Degikliai

Prietaiso degikliai yra svarbiausi jo veikimui ir šildymui, todėl jų švarą ir būklę reikia reguliariai tikrinti. Mažos skylutės degikliuose pritraukia vabzdžius ir vorus, kurie degikliuose suka lizdus. Dėl šių užsikimšimų liepsna būna netolygi ir nešvari. Dėl užsikimšimų liepsna gali degti už dujų vamzdžio ribų, o tai savo ruožtu gali rimtai sugadinti kepsninę. Išvalykite degiklius vadovaudamiesi toliau pateiktais nurodymais:

1. Įsitinkinkite, kad žiedinis degiklis yra išjungtas.
2. Degiklių paviršiams valyti naudokite žalvarinį valymo šepetėlį, skirtą kepsninėms valyti.
3. Įsitinkinkite, kad degiklio skylės yra atviros ir švarios. Tam galite naudoti ploną vielutę.
4. Jei degiklis yra pažeistas arba smarkiai surūdijęs, nustokite naudoti gaminį arba pakeiskite degiklį nauju.
5. Kartu patikrinkite, ar vožtuvo antgalis yra švarus ir nepažeistas.



Plieninės dalys

Valant plienines dalis galima vadovautis šiomis bendrosiomis gairėmis:

1. Žiedinio degiklio plienines dalis valykite „Mustang Grill Cleaner“, „Mustang Grille Cleaner“ arba švelniu indų plovikliu ir valymo šluoste.
2. Nepamirškite gerai nusausinti išvalytų dalių.
3. Valdymo skydeliams ir vietoms su įspėjamaisiais užrašais negalima naudoti ploviklių, nes jie gali nutrinti tekstą ar kitus saugos simbolius.
4. Visus išorinius kepsninės paviršius valykite bent tris kartus per metus, kad prie jų neliptų nešvarumai.
5. Naujos valymo priemonės tinkamumą visada tikrinkite mažai pastebimoje vietoje.

i Kepsninė gali rūdyti dėl chloro ir druskos poveikio. Tad jei kepsninė naudojama prie jūros arba baseino, ją reikia valyti kas savaitę.

Laikymas

Į šias instrukcijas atkreipkite dėmesį, kai ilgesniam laikui nutraukiate kepimo ant grotelių veiklą arba, pavyzdžiui, norite laikyti žiedinį degiklį žiemos sezonui. Tinkamai saugomas degiklis tarnaus ilgiau ir išliks veikiantis metai iš metų. Laikydami žiedinį degiklį vadovaukitės toliau pateiktomis instrukcijomis:

1. Žiedinį degiklį valykite pagal naudotojo vadove pateiktus nurodymus.
2. Uždekite degiklį ir leiskite jam įkaisti maždaug 15 minučių, kol visos plieninės dalys bus sausos.
3. Leiskite žiediniam degikliui atvėsti.
4. Nuo dujų baliono nuimkite mažo slėgio reguliatorių.
5. Visada laikykite balioną lauke ir pasirūpinkite, kad jis nebūtų veikiamas karščio ar saulės spindulių.
6. Žiedinį degiklį laikykite sausoje vietoje.

Trikčių diagnostika

Gali sutrikti bet kurios kepsninės veikimas. Šios triktys paprastai nesudėtingai pašalinamos. Jei toliau pateiktoje schemoje nerasite sprendimo savo problemai, kreipkitės į pardavėją.

Defektas	Galima priežastis	Sprendimas
Neteka dujos	Neatsuktas žemo slėgio reguliatorius	Įjunkite dujas slėgio reguliatoriumi
	Žemo slėgio reguliatorius netinkamai prijungtas prie dujų baliono	Nuimkite slėgio reguliatorių ir vėl iš naujo jį rūpestingai prijunkite
	Dujų žarna arba slėgio reguliatorius turi defektų	Pakeiskite dujų žarną arba slėgio reguliatorių ir atlikite nuotėkio patikrinimą
Nepavyksta uždegti degiklio degtuku arba žiebtuvėliu	Užsikimšo degiklio skylutės	Išvalykite degiklius pagal pateiktas instrukcijas
	Degikliai netinkamai prijungti prie vožtuvų	Patikrinkite degiklių įrengimą ir būklę
Kepsninė nepakankamai įkaista	Degikliai negauna oro	Patikrinkite ir išvalykite degiklius
	Per mažai dujų	Pakeiskite dujų balioną
	Nustojo tekėti dujos	Patikrinkite, ar tvarkinga ir neužlenkta dujų žarna
Netolygi liepsna, ugnis dega vien geltonai arba skleidžia dūmus	Degikliai negauna pakankamai oro	Išvalykite degiklius pagal pateiktas instrukcijas
	Ant degiklių yra pridegusio maisto, druskos arba marinato	
Liepsna vis užgesta	Per stiprus vėjas	Perkelkite kepsninę į užuovėją
	Baigiasi dujos	Pakeiskite dujų balioną
Už degiklių matoma liepsna	Užsikimšę degikliai	Patikrinkite ir išvalykite degiklius
	Stiprus vėjas	Perkelkite kepsninę į užuovėją
Užia / zyžia slėgio reguliatorius	Aukšta lauko temperatūra	Nereikia nieko daryti. Tai laikina situacija.
	Pilnas dujų balionas	

Garantija

„Mustang“ dujinėms kepsninėms ir jų dalims suteikiama ne mažiau nei 24 mėnesių gamyklinė ir medžiagų garantija. Tačiau garantijos sąlygos gali skirtis priklausomai nuo modelio, todėl atnaujintas garantijos sąlygas ir trukmę rasite mūsų interneto svetainėje

mustang-grill.com

Visais garantijos teikimo atvejais reikalingas pirkimo kvitas, kuriame būtų nurodyta pirkimo vieta ir data.



MUSTANG

EN

The most extensive barbecue product selection

Grills | Pizza | Smoking | Accessories

FI

Kaikkein laajin grillausvalikoima

Grillaus | Pizza | Savustus | Tarvikkeet

SV

Det bredaste grillningssortimentet

Grillning | Pizza | Rökning | Tillbehör

NO

Et svært eksklusivt utvalg av grillprodukter

Griller | Pizza | Røyking | Tilbehør

DA

Det største udvalg af grillprodukter

Grill | Pizza | Rygning | Tilbehør

ET

Kõige laiem grillimistoodete valik

Grillimine | Pitsa küpsetamine | Suitsutamine | Tarvikud

LV

Plašākā grilu izvēle

Grilēšana | Pica | Kūpināšana | Piederumi

LT

Visapusiškas kepsninių asortimentas

Kepsninės | Pica | Rūkymas | Priedai






MUSTANG

mustang-grill.com