



# MUSTANG

## JEWEL 6 BUILT-IN

**Assembly and operating instructions**

EN

**Asennus- ja käyttöohje**

FI

**Monterings- och bruksanvisning**

SV

**Monteringsanvisninger og bruksanvisning**

NO

**Samlings- og betjeningsinstruktioner**

DA

**Paigaldus- ja kasutusjuhend**

ET

**Lietošanas pamācība**


LV

**Naudotojo vadovas**

LT





Technical information   Tekniset tiedot   Teknisk information   Spesifikasjoner   Tekniske data   Tehniline teave   Tehniskā informācija   Techninė informacija	
Appliance code Laitteen koodi Produktkod Apparatkode Udstyrskode Seadme kood Ierīces kods Prietaiso kods	WA6010-FB0-0B1 (316289)
	 2531-23 PIN 2531DO-0136
Total heat input (all gas categories) Kokonaislämpöteho (kaikki kaasuluokat) Total effekt (alla gaskategorier) Total effekt (alle gasskategorier) Samlet udgangseffekt (alle gaskategorier) Summaarne küttevõimsus (kõik gaasiklassid) Kopējā siltuma ievade (visas gāzes kategorijas) Bendroji šiluminė įvestis (visų kategorijų dujos)	24,5 kW (1 783 g/h)
Gas category Kaasuluokka Gaskategori Gasskategori Gaskategori Gaasi klass Ierīces klase Prietaiso klasė	I3B/P(30)
Types of gas Kaasulajit Typer av gas Gasstype Gastyper Gaasi tüübid Gāzes veidi Dujų tipas	LPG gas mixtures Nestekaasuseokset Gasolblandningar LPG-gassblandinger LPG-gasblandinger Vedelgaasi segud šķidrie gāzu maisījumi Suskystintų dujų mišiniai
Gas pressure Kaasunpaine Gastryck Gasstrykk Gastryk Gaasi rõhk Gāzes spiediens Dujų slėgis	30 mbar /
Injector size, main burners A, side burner B, power burner C Suuttimen koko, pääpolttimet A, sivupoltin B, tehopoltin C Injektorstørlek, huvudbrännare A, sidobrännare B, power burner C Injektorstørrelse, hovedbrenner A, sidebrenner B, effektbrenner C Indsprøjtningssystemets størrelse, hovedblus A, sidebrænder B, power burner C Dūsi lābimōot, grillipōletil A, kŭlgpōletil B, power burner C Sprauslas lielums, galvenie degļi A, sānu degļis B, power burner C Purkštuko dydis, pagrindiniai degikliai A, šoninis degiklis B, power burner C	A: 0,93 mm
Country of use Käyttömaa Användningsland Bruksland Anvendelseslande Kasutusriik Izmantošanas valsts Naudojimo šalis	BG, CY, CZ, DK, EE, FI, GB, HR, HU, IT, LT, LU, MT, NL, NO, RO, SE, SI, SK, TR
Info Informasjon Information Tootja Ražotājs Gamintojas	Tammer Brands Oy Viinikankatu 36, 33800 Tampere, Finland <b>mustang-grill.com</b>



# MUSTANG

## JEWEL 6 BUILT-IN

EN Assembly instructions

---

FI Kokoamisohjeet

---

SV Monteringsanvisningarna

---

NO Monteringsanvisning

---

DA Samlingsvejledning

---

ET Koostejuhised

---

LV Montāžas instrukciju

---

LT Surinkimo nurodymai

---

# General assembly instructions

## Before you begin assembly

Unload the sales package carefully and ensure that all parts are taken out of the package. Take care of the appropriate recycling of the packaging materials before assembling the grill.



**Do not let small children play with the packaging materials.**

Check that all parts required for assembly can be found and that they are in good condition. You can check the parts with the help of the list on page 8. If parts are missing or they are damaged, please contact the seller.

Study the assembly illustrations carefully and proceed with the assembly in the order presented in the instructions. Do not assemble the grill on decking boards since small parts may drop under the boards.

Some plate/steel parts may be sharp; wear work gloves during the assembly.



**Do not use electric or battery-powered screwdrivers for the assembly. It may break the screws or surfaces. Tighten all the screws manually.**

# Yleiset kokoamisohjeet

## Ennen asentamista

Pura myyntipaketti huolella ja varmista että kaikki osat on poistettua paketista. Huolehdi pakkausmateriaalin asianmukaisesta kierrätyksestä ennen grillin kokoamista.



**Älä anna pienten lasten leikkiä pakkausmateriaaleilla.**

Tarkista, että kaikki kokoamiseen tarvittavat osat löytyvät ja ovat kunnossa. Tarkistuksen voit suorittaa osaluettelon avulla sivulta 8. Jos jotain osia puuttuu tai osat ovat vahingoittuneet, ole yhteydessä myyjäliikkeeseen.

Tutustu kokoamiskuviin huolellisesti sekä etene kokoamisessa ohjeiden mukaisessa järjestyksessä. Älä kokoa grilliä terassilaudoituksen päällä, koska pienet osat voivat tippua terassilaudoituksen alle.

Jotkut pelti - / teräsosat voivat olla teräviä, joten käytä kokoamisessa työ hanskoja.



**Älä käytä kokoamiseen sähkö- tai akkukäyttöistä ruuvinväännintä. Se saattaa rikkoa ruuvit tai osien pinnat. Kiristä kaikki ruuvit käsin.**



SV

# Allmänna monteringsanvisningar

## Innan montering

Montera försäljningspakketet nøggrant og sakerstall at alle deler har tagits ur pakketet. Se till at forpackningsmaterialet atervinnas regelratt innan du monterar grillen.



**Lat inte sma barn leka med forpackningsmaterialet.**

Kontrollera at alle deler som behovs for at montera grillen finns og ar i gott skick. Kontrollen kan utforas med hjalp av komponentlisten pa sidan 8. Om nagra deler fattas eller delarna ar skadade, kontakta forsaljarbutikken.

Bekanta dig nøggrant med monteringsbilder og monter grillen i samme ordning som i monteringsanvisningarna. Monter grillen inte pa terrassens trapanel eftersom sma komponenter kan trilla mellom plankor.

Vissa plat- og stalddelar kan vara vassa sa at anvand arbetshandskar vid monteringen.



**Anvand inte el- eller batteridrevne skruvdragere i monteringen. Den kan skada skruvar eller delarnas ytor. Dra at alle skruvar for hand.**

NO

# Generelle monteringsanvisninger

## For du starter monteringen

Pakk salgspakken forsiktig ut og sorg for at alle deler er tatt ut av pakken. Pase at du gjennomforer riktig resirkulering av emballasjematerialene for du monterer grillen.



**Ikke la sma barn leke med emballasjen.**

Kontroller at alle deler som kreves for montering er tilstede og at de er i god stand. Du kan sjekke delene ved hjalp av listen pa side 8. Hvis deler mangler eller de er skadet, ta kontakt med selgeren.

Studer monteringsillustrasjonene noye og fortsett med monteringen i den rekkefolgen som vises i instruksjonene. Ikke monter grillen pa terrassebord, siden sma deler kan falle ned under plankene.

Noen plate-/stalddeler kan vare skarpe; bruk arbeidshansker under montering.



**Ikke bruk elektriske eller batteridrevne skrutrekkerer til monteringen, da de kan knekke skruene eller skade overflatene. Stram alle skruene manuelt.**

## Generel samlingsvejledning

### Inden du begynder at samle produktet

Tag forsigtigt produktet ud af salgsemballagen, og sørg for at tage alle dele ud. Sørg for korrekt genanvendelse af emballagematerialerne, inden du samler grillen.



**Lad ikke små børn lege med emballagematerialerne.**

Kontrollér, at du har alle dele, du skal bruge til at samle produktet, og at de er i god stand. Du kan kontrollere delene ved hjælp af oversigten på side 8. Kontakt venligst forhandleren i tilfælde af manglende eller beskadigede dele.

Gennemgå samletegningerne omhyggeligt, og saml produktet i den rækkefølge, der er anført i vejledningen. Undlad at samle grillen på terrassebrædder, idet små dele kan falde ned under brædderne.

Nogle plade-/ståldele kan være skarpe. Bær handsker, når du samler produktet.



**Brug ikke elektriske eller batteridrevne skruetrækkere til at samle produktet, da det kan ødelægge skruerne eller beskadige produktets overflade. Stram alle skruer med håndkraft.**

## Üldine koostejuhend

### Enne kokkupanekut

Lõigake pakend hoolikalt lahti ja veenduge, et olete kõik osad välja võtnud. Hävitage pakend enne grilli kokkupanekut nõuetekohaselt.



**Ärge lubage väikelastel pakkematerjaliga mängida.**

Veenduge, et kõik kokkupanekuks vajalikud osad on olemas ja korras. Kasutage lk 8 osade loendi abi. Kui midagi on puudu või kahjustatud, pöörduge edasimüüja poole.

Tutvuge hoolikalt koostepiltidega ja pange grill ettenähtud järjekorras kokku. Ärge pange grilli kokku terrassilaudade peal, sest väiksed osad võivad laudade vahele kukkuda.

Osa plekk-/terasosi võivad olla teravad, nii et kandke grilli kokkupanekul töökindaid.



**Ärge kasutage kokkupanekul elektri- või akutrelli. See võib rikkuda kruvid või detailide pinnad. Pinguldage kõik kruvid käsitsi.**

# Vispārējās montāžas instrukcijas

## Pirms uzstādīšanas

Uzmanīgi attaisiet iepakojumu un pārlicinieties, ka visas detaļas ir izņemtas no iepakojuma. Pirms grila salikšanas, parūpējieties par iepakojuma materiāla atbilstošu pārstrādi.



**Neļaujiet maziem bērniem spēlēties ar iepakojuma materiāliem.**

Pārbaudiet, vai iepakojumā ir visas montāžai nepieciešamās detaļas un vai tās nav bojātas. Pārbaudi var veikt, izmantojot detaļu sarakstu 8 lappusē. Sazinieties ar izplatītāju, ja kādas detaļas trūkst vai tās ir bojātas.

Uzmanīgi iepazīstieties ar montāžas attēliem un turpiniet montāžu norādītajā secībā. Nemontējiet grilu uz terases dēļiem, jo mazas detaļas var nokrist zem terases.

Dažas lokšņu metāla / tērauda detaļas var būt asas, tāpēc montāžas laikā izmantojiet darba cimdus.



**Neizmantojiet elektrisko vai ar akumulatoru darbināmu skrūvgriezi montāžai. Tas var salauzt skrūves vai detaļu virsmas. Pievelciet visas skrūves ar roku.**

# Bendrosios surinkimo instrukcijas

## Prieš surinkimą

Rūpestingai išpakuokite prekę ir patikrinkite, ar iš pakuotės išėmėte visas dalis. Prieš kepsninės surinkimą tinkamai utilizuokite pakuotės medžiagą.



**Neleiskite mažiems vaikams žaisti su pakuotės medžiagomis.**

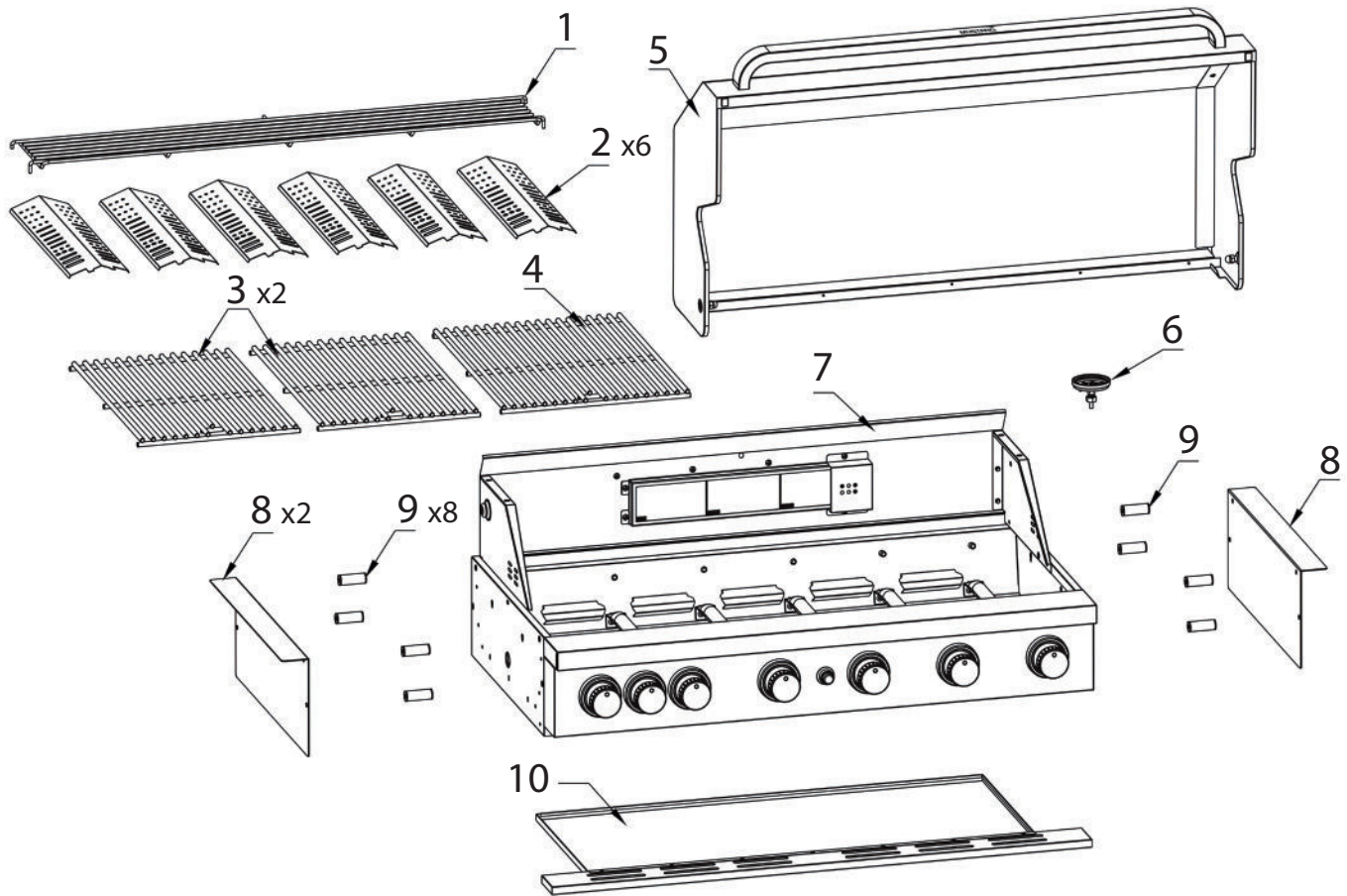
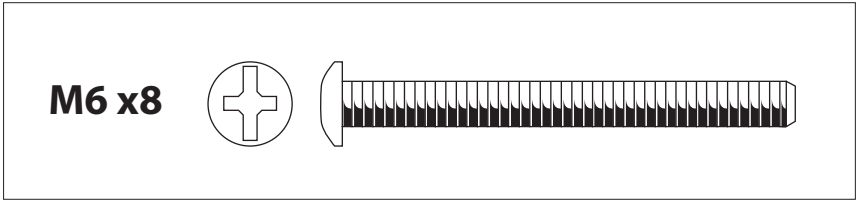
Patikrinkite, ar yra visos reikiamos dalys ir ar jos tvarkingos. Patikrinimui galite naudoti 8 puslapyje pateiktą dalių sąrašą. Jei trūksta kokių nors dalių arba jos pažeistos, susisiekite su pardavėju.

Atidžiai peržiūrėkite surinkimo schemas ir surinkite kepsninę instrukcijose nurodyta tvarka. Kepsninės nerinkite ant terasos grindų, nes smulkios detalės gali įkristi į plyšį tarp lentų.

Kai kurios skardinės / metalinės dalys gali būti aštrios, tad mūvėkite darbinės pirštines.



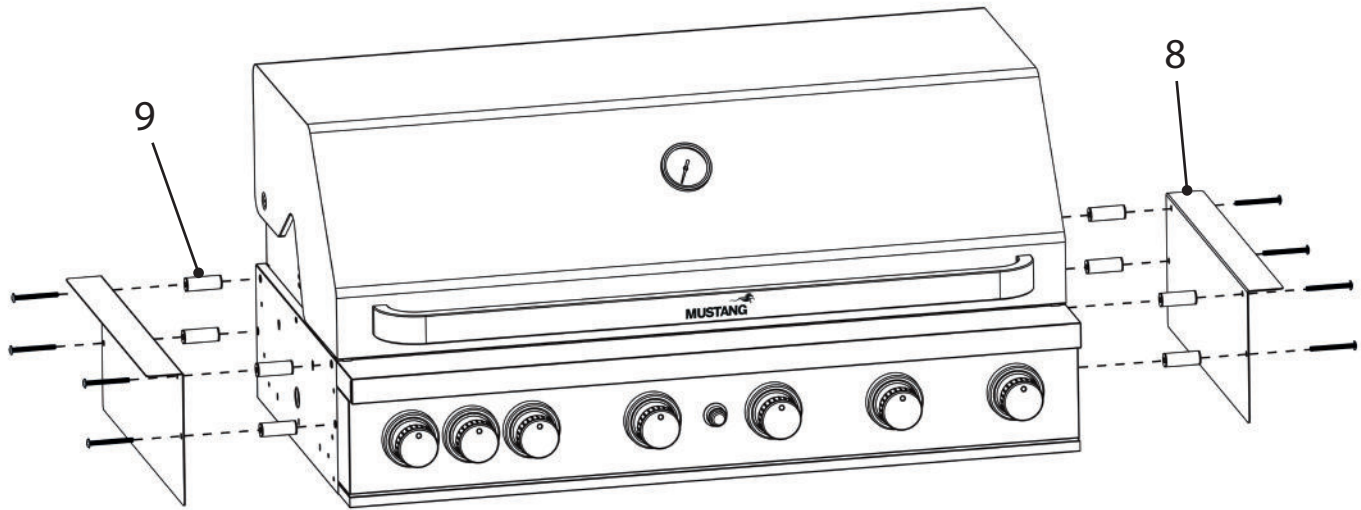
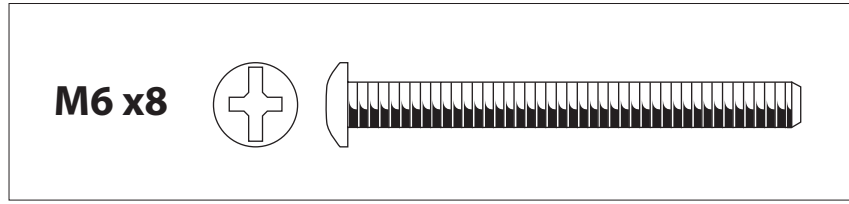
**Surinkdami kepsninę nenaudokite elektrinio arba akumulatorinio atsuktuvo. Jis gali sugadinti varžtus arba dalių paviršius. Visus varžtus užsukite ranka.**



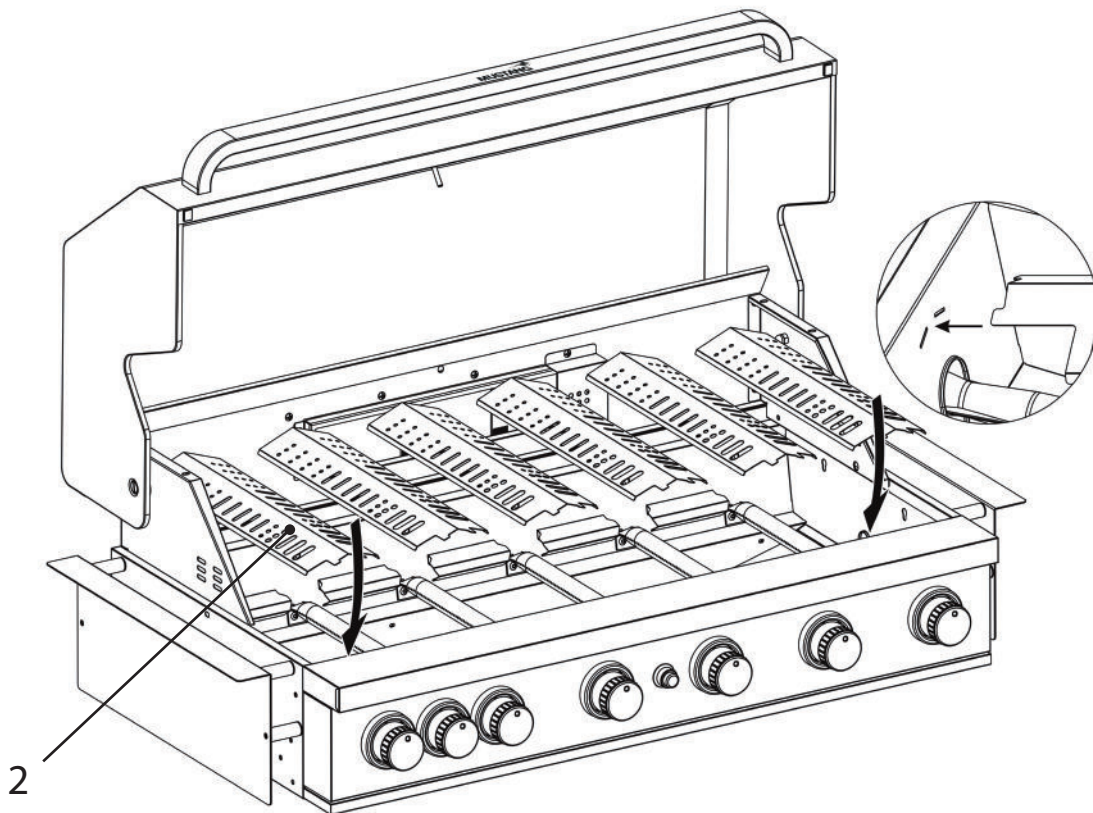




1

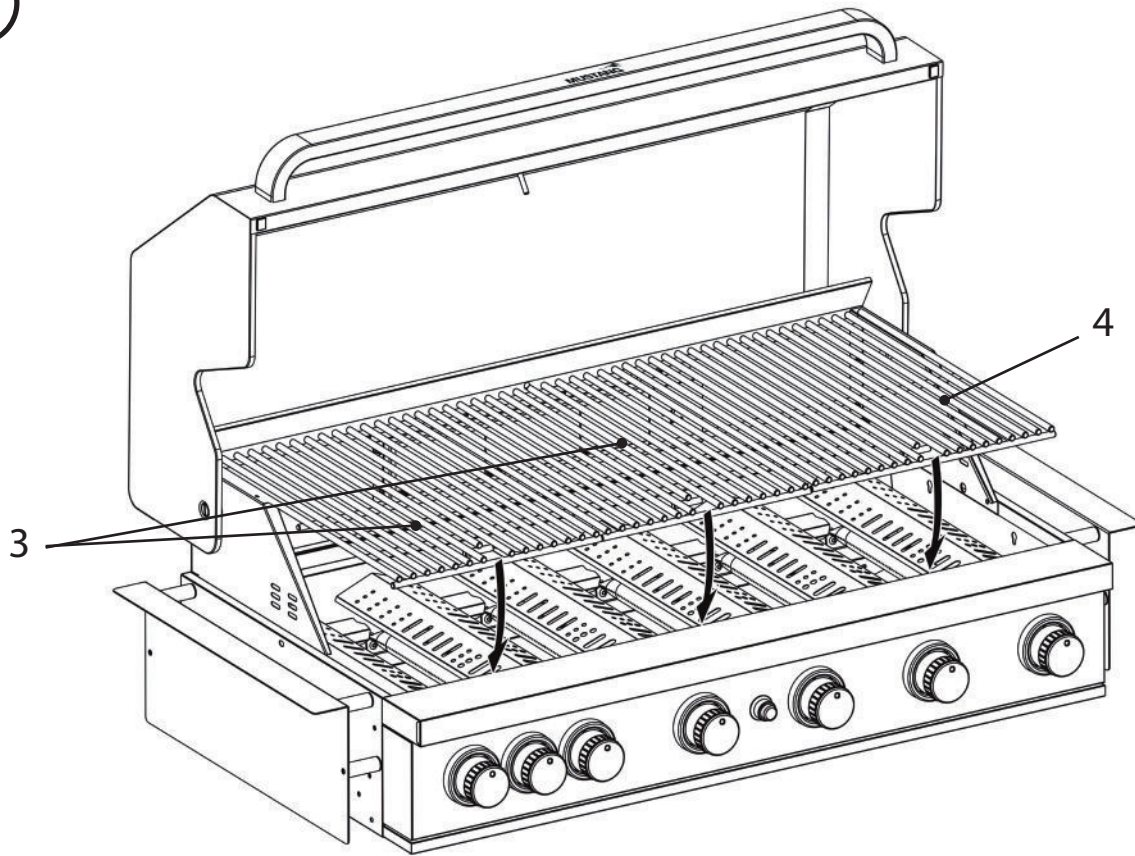


2

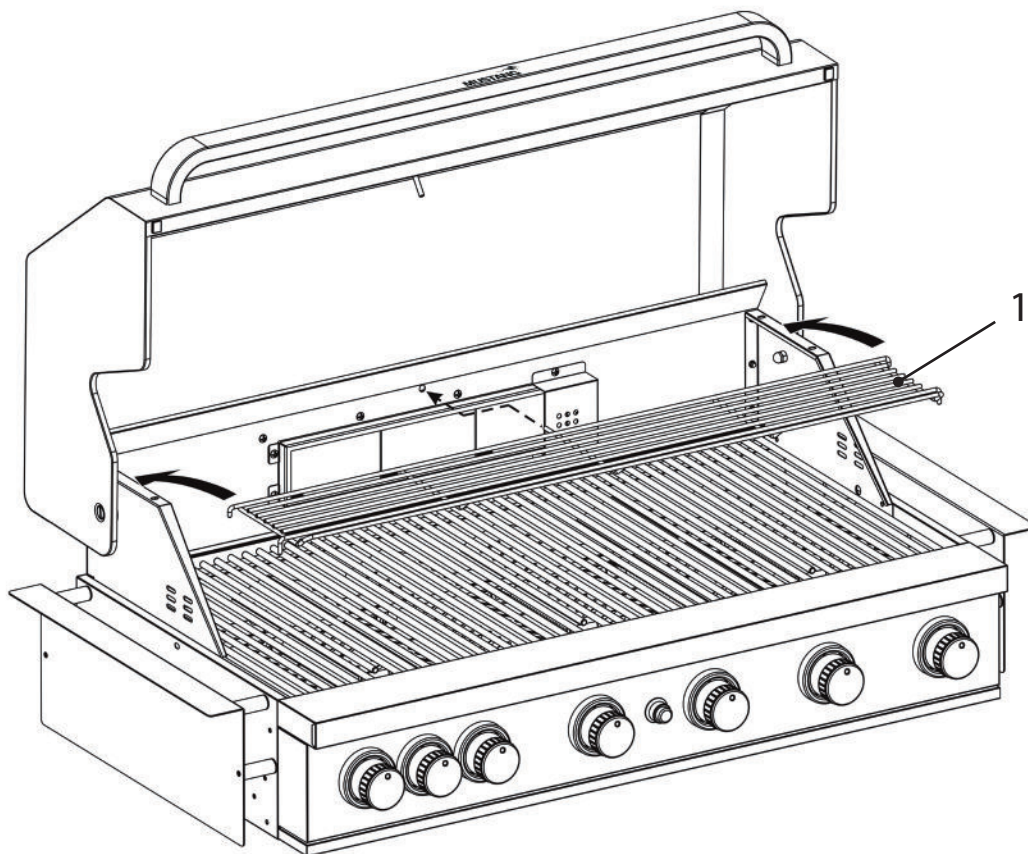




3



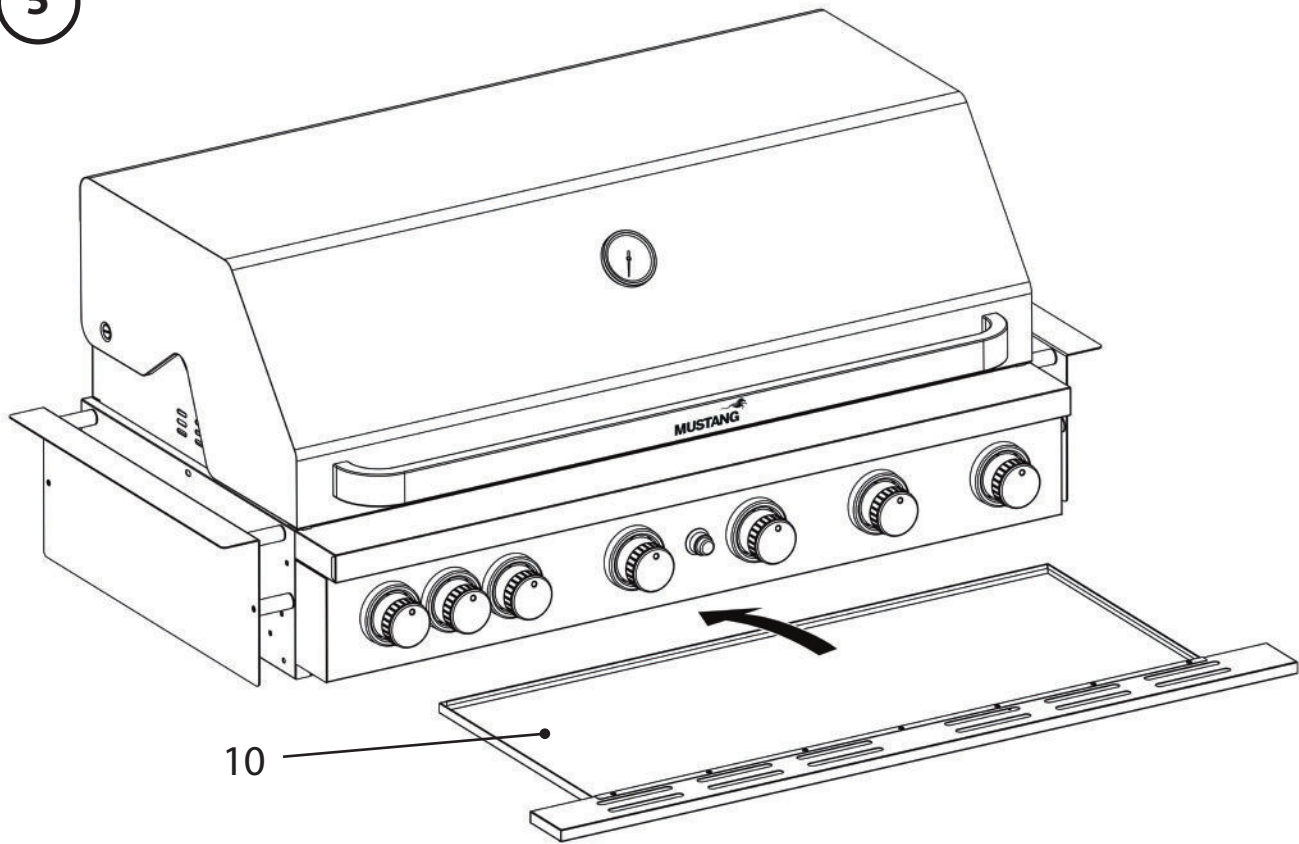
4



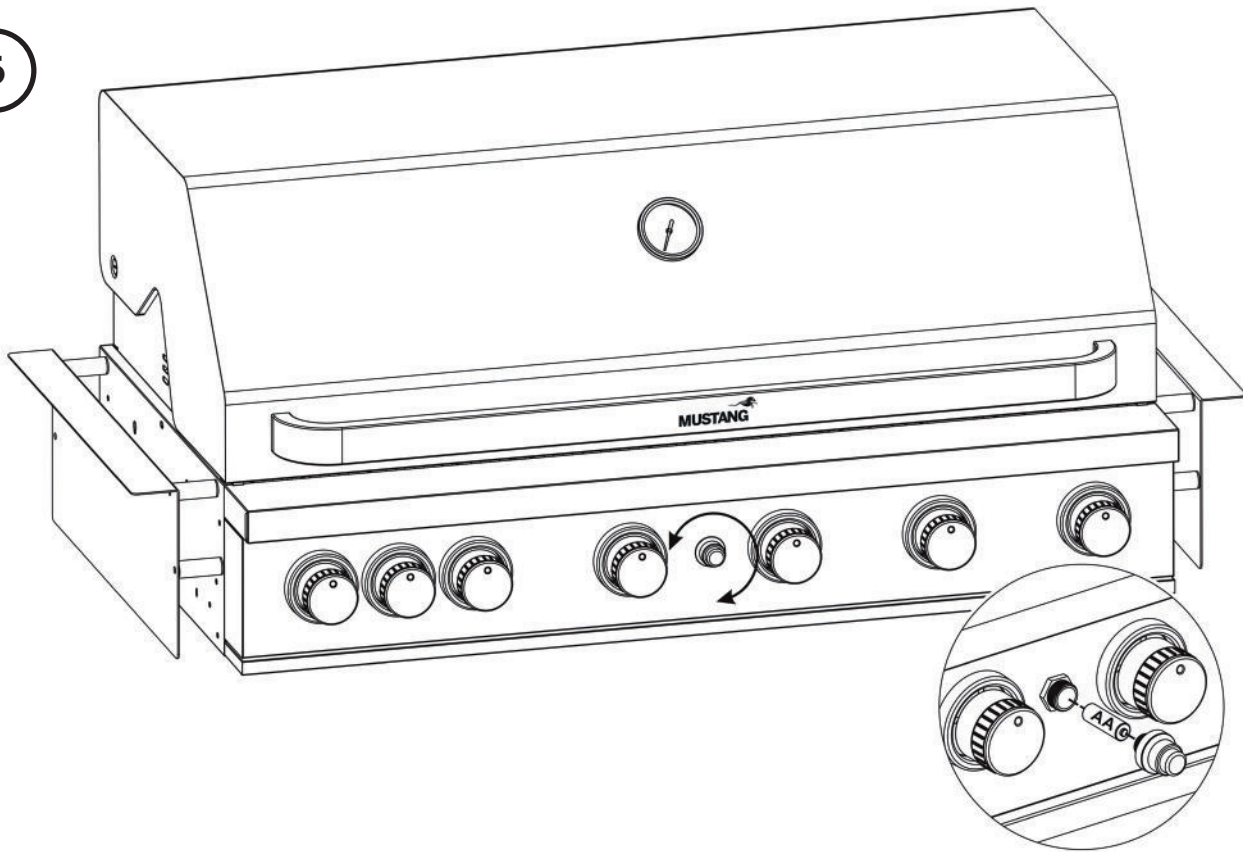




5

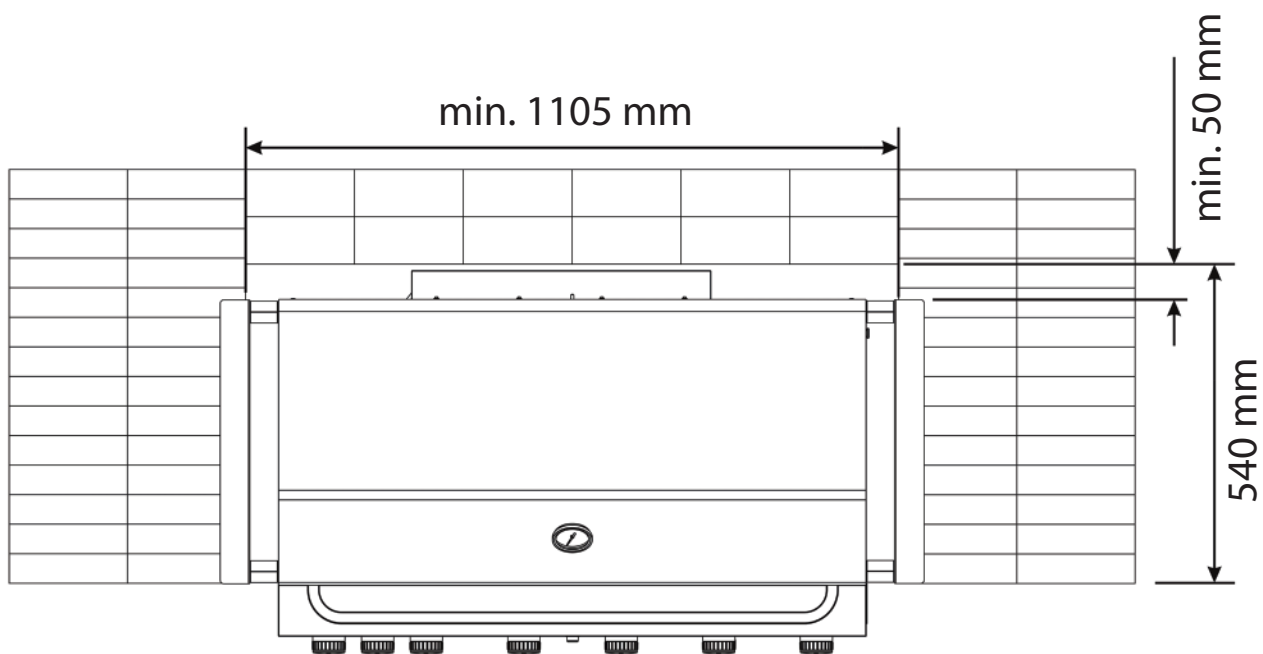
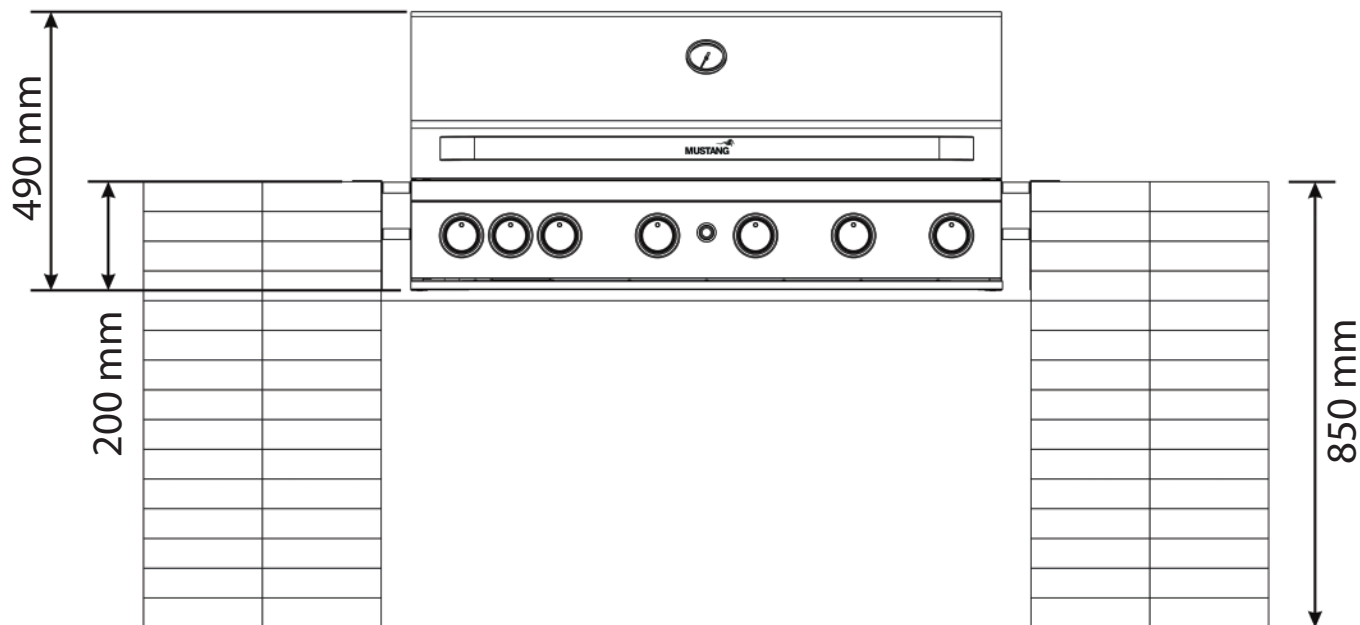


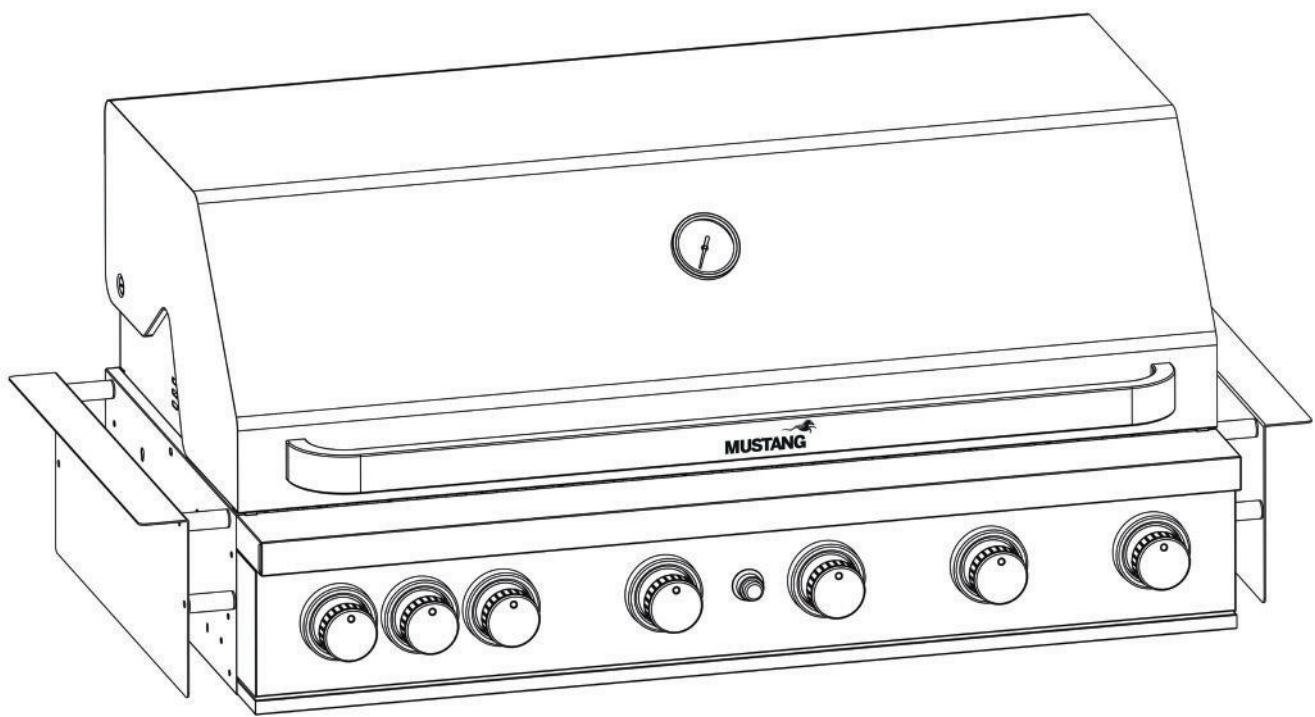
6





7







# MUSTANG



EN

**Assembly and operating instructions**

---



# Welcome to the world of Mustang grills

**We are happy that you ended up choosing a Mustang gas grill. Mustang wants to be your barbecue buddy and ensure the grilling experience of your dreams. Mustang was born out of the desire to enjoy unhurried and relaxed cooking together with family and friends, and this is the idea we also want to offer to you.**

The Mustang grills and accessories are carefully designed and finished, and we are proud to represent them. Our long experience and expertise can be seen in all of our products. They include all essential functions and features. We are sure that this grill will bring you joy for a long time, as long as you remember to maintain and clean your grill according to the instructions in this manual.

## The most extensive barbecue product selection

Mustang is a brand owned by the Finnish company Tammer Brands Oy. Mustang offers all appliances, supplies, accessories and spare parts needed for grilling, as well as an extensive product selection for smoking food and making pizza. We know the barbecue culture inside and out, so we can ensure that you have access to the most suitable and modern products. Mustang is the only brand you need for a successful barbecue.

### After sales service:

Tammer Brands Oy,  
tel. +358 3 252 1111.  
Viinikankatu 36,  
FI-33800 Tampere, FINLAND

**TAMMER**  
BRANDS | EST 1954

**[mustang-grill.com](http://mustang-grill.com)**



**Read the manual before using the grill and save it for later use.**

Follow us on social media



**mustanggrill**

# Table of contents

<b>Assembly instructions</b> .....	3
Before you begin assembly .....	4
<b>Safety instructions and warnings</b> .....	18
Placing the grill .....	18
Safety instructions related to gas .....	18
General safety instructions .....	19
<b>Connecting gas to the grill</b> .....	20
Information about liquefied gas .....	20
Installing the gas hose .....	20
Installing the low-pressure regulator .....	21
Testing for liquefied gas leaks .....	21
<b>Using the grill</b> .....	22
Measures to perform before using the product for the first time .....	22
Measures to perform before each use .....	22
Igniting the burners with a piezo igniter .....	23
Igniting the burners with a match or long lighter .....	23
Igniting the burner of the side cooker .....	23
Putting out the burners .....	24
Controller positions .....	24
Checking the flames .....	24
Flame moving .....	24
Flame flaring up .....	24





**Useful tips** ..... 25

    General instructions for grilling ..... 25

    Direct and indirect grilling ..... 25

    Settings for direct grilling ..... 25

    Indirect grilling settings ..... 25

    Heat levels of the cooking areas ..... 26

    Marinades ..... 26

    Preventing food from sticking to the grill ..... 26

    Grilling temperature guide ..... 27

**Cleaning and storing the grill** ..... 29

    Grilling grids ..... 29

    Grease tray and cup ..... 29

    Burners ..... 30

    Flame tamers ..... 30

    Other grill components ..... 31

    Cleaning wooden parts ..... 31

    Storage ..... 31

**Troubleshooting** ..... 32

**Warranty** ..... 33

# Safety instructions and warnings

**When starting to use this gas grill, you shall be obligated to carefully read through and pay attention to the warnings and safety instructions in this manual before using the grill. This grill is CE-marked according to the valid regulations.**


Symbol explanations:  DANGER!  NOTE!

## Placing the grill

 **This grill is intended for outdoor use only. It must never be used indoors or in enclosed spaces. Check the things to consider below.**

- Only use the grill outdoors.
- Do not use the grill next to a wall, in a garage, camper or trailer or another enclosed space, or indoors.
- Ensure that there is at least one meter of empty space at each side of the grill and above it.
- Ensure that a fire blanket/extinguisher and a first aid kit are available near the grill.
- Do not place the grill on or near sensitive surfaces, since grease and marinades may spill and splash out of the grill during normal use.
- Ensure that both the grill and the gas cylinder are on a level surface.

## Safety instructions related to gas

 **Only a service company with gas installation authorization may maintain and adjust the main valves, nozzles and gas taps of the grill. Check the things to consider below.**

- Always shut off the gas flow from the gas cylinder after use and remove the low-pressure regulator from the cylinder.
- Handle the liquified gas cylinder carefully: do not drop or knock it. Do not store liquified gas cylinders in places where the temperature may rise to above +50°C.
- Always inspect the condition of the gas hose before use.
- Perform the leak test regularly according to the instructions. You must perform the leak test especially when the grill has been unused for a long time or you have replaced the gas cylinder, pressure regulator or hose.
- If you sense a strong smell of gas, shut off the gas flow immediately and set all controls to OFF. After this, open the grill hood, perform the leak test, and fix the connections. If you do not find a fault, contact a service or sales company.
- Never use an open flame to test for gas leaks.
- Do not remove the gas hose or low-pressure regulator when the grill is in use.



## General safety instructions



**Using the grill for other than its intended purpose may pose a danger. Structurally modifying the grill, even in the smallest ways, is entirely forbidden. Check the things to consider below.**

- Follow the instructions of assembly carefully and ensure that no parts are left uninstalled during the assembly. If you do not follow the instructions or you have not installed all parts, you may experience problems when using the appliance. The user is responsible for correctly assembling the grill.
- Read the manual before using the grill and save it for later use.
- The grill will heat up during use, so take special care if there are children, seniors or pets close to the grill.
- Never keep flammable materials, liquids or gas cylinders not connected to the grill in the immediate vicinity of the grill.
- Do not lean over the grill when igniting it.
- Do not leave the grill unattended while it is in use.
- Do not move the grill while it is in use.
- Wear heatproof mitts when using the grill.
- Ensure that the grill's bottom, grease tray, heat distributor plates and burners are clean of grease and marinade.
- Do not use the grill if it is not functioning normally.
- Do not allow children to use the grill.
- Alcohol, prescription medication and intoxicants of all kinds may affect the user's ability to operate the grill in a safe and appropriate manner.

# Connecting gas to the grill

## Information about liquefied gas

Before you can use the grill, you must purchase a liquefied gas cylinder, low-pressure regulator and gas hose. **These are not included in the grill delivery.**

Liquefied petroleum gas (LPG) is an extremely flammable substance stored in pressurized liquefied gas cylinders. Liquefied gas cylinders are available in weights of 5 kg–11 kg. Ensure that your cylinder is not dented or rusty, and that its valve is not damaged. Always carry and transport liquefied gas cylinders in an upright position and securely attached. In household use, a gas cylinder must have a maximum height of 615 mm and diameter of 310 mm.

The gas is directed from the cylinder to the grill through a low-pressure regulator and a hose. The low-pressure regulator helps the gas flow evenly into the grill.

**⚠** The pressure regulator to be attached to the cylinder must not be adjustable, and its operating pressure must be 30 mbar.

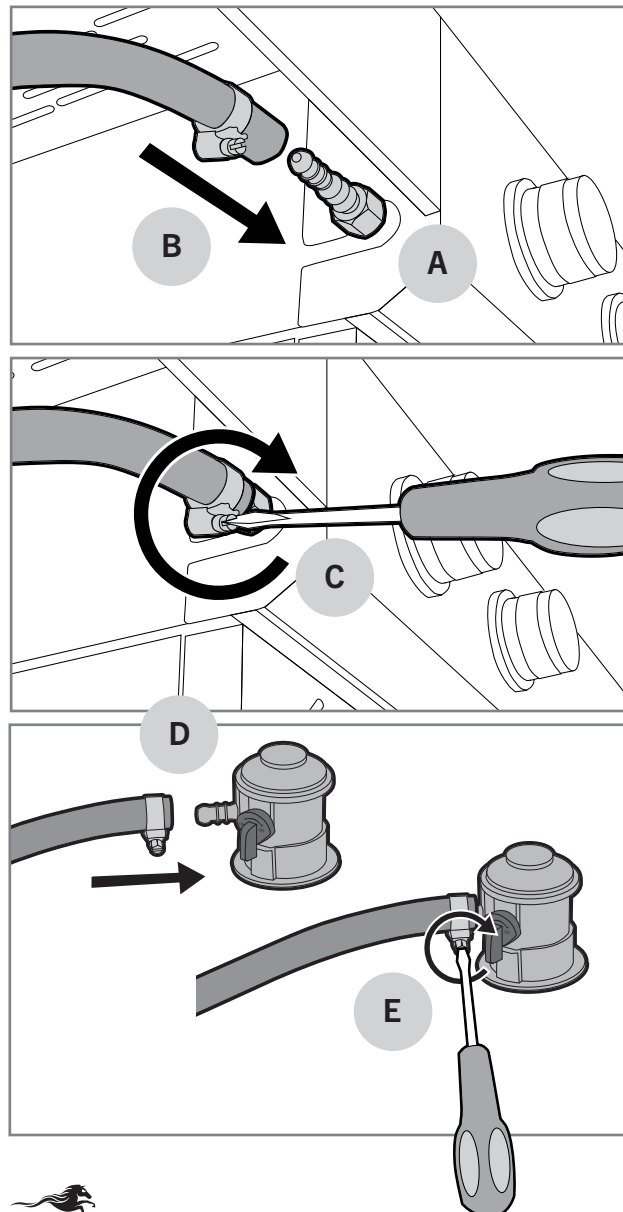
**⚠** The length of the gas cylinder may be 1.2 m at the maximum, and its thickness 10 mm at the maximum (note: in Sweden, max. 8 mm).

**i** The pressure regulator must be manufactured in accordance with the EN16129 standard. In the pressure regulator, the operating pressure is marked according to the nominal pressure, 29 mbar.

**i** The gas hose must be manufactured in accordance with the EN16436 standard.

## Installing the gas hose

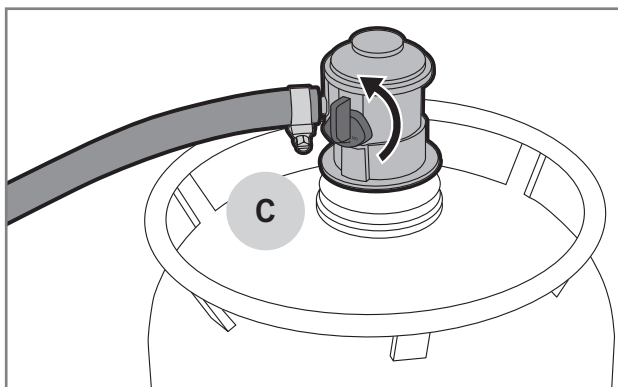
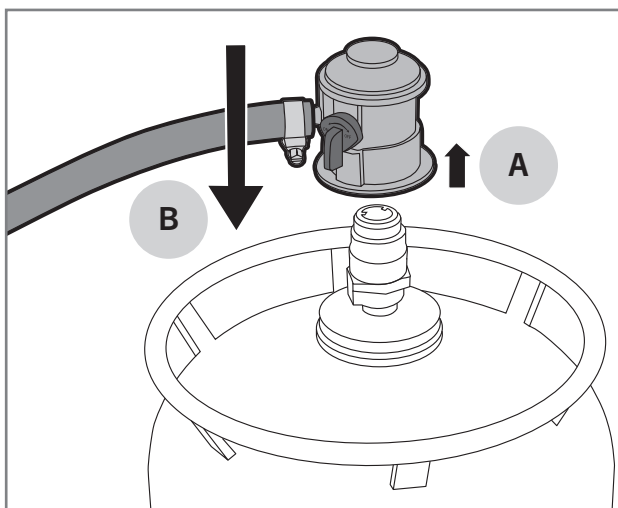
1. Check the condition of the gas hose.
2. Ensure that all control knobs on the grill are turned to OFF.
3. Ensure that the grill's hose chuck is fastened tightly (A).
4. Insert the gas hose tightly into the hose chuck, as far in as it goes (B).
5. Fasten the hose to the hose chuck using a hose clip (C).
6. Insert the other end of the gas hose into the hose chuck in the low-pressure regulator (D).
7. Fasten the hose to the hose chuck using a hose clip (E).





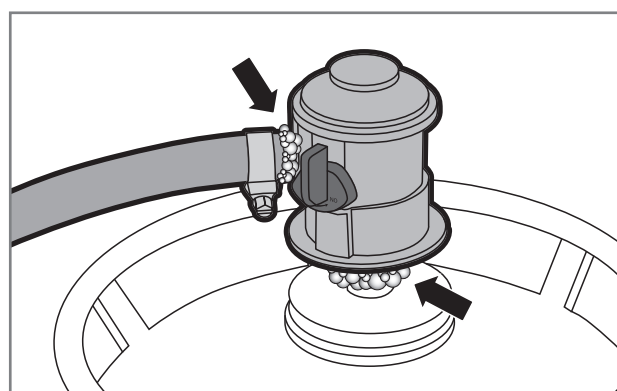
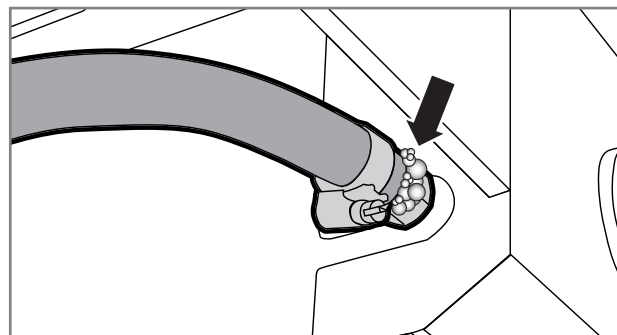
## Installing the low-pressure regulator

1. Check the condition of the low-pressure regulator.
2. Attach the low-pressure regulator to the cylinder by pulling the locking ring up (A) and pressing the regulator into the cylinder at the same time (B).
3. Secure the fastening by forcefully pulling the regulator up.
4. Open the gas flow from the regulator slowly for the pressure to even out (C).



3. Wet all valves, hose connections, regulator connections, cylinder connections and welding seams with a soapy water solution (30% dish-washing liquid or liquid soap and 70% water). You can wet the parts by brushing or spraying them.
4. Watch carefully if bubbles appear in any part. Bubbles indicate a gas leak.
5. If bubbles appear, shut the gas flow off and fasten the connections in the parts where you see bubbles.
6. If bubbles appear in the middle of the hose or at the cylinder, replace the part in question.
7. Open the gas flow and perform the leak test again.
8. Rinse the soapy water off with clean water to prevent corrosion.

**⚠ Do not use the grill if you are unable to fix the gas leaks. In this case, disconnect the pressure regulator from the gas cylinder and contact the service/sales company.**



## Testing for liquefied gas leaks



The inspection of potential gas leaks must be done every time the cylinder, regulator or hose is replaced. The leak test must also be performed regularly once a year, and especially after longer storage periods. Perform the leak test by following the instructions below:

1. Open the hood of the grill and make sure that the controls of the burners are turned to OFF.
2. Open the low-pressure regulator.

# Using the grill

## Measures to perform before using the product for the first time

After the leak test, the grease used during factory storage must be burned off from the grill before it can be used. You can burn off the storage grease by following the instructions below:

1. Open the hood of the grill and ignite all burners according to the ignition instructions.
2. Set the burners to  and let them burn for 5 minutes with the hood open.
3. Close the hood and keep the burners at  for 10 minutes.
4. Turn the burners to OFF and close the gas flow.
5. Let the grill cool down for 15 minutes.
6. Clean the grilling grids with a grill-cleaning brush.
7. Grease the grilling grids with cooking oil.

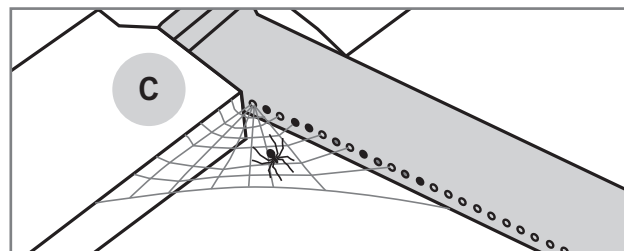
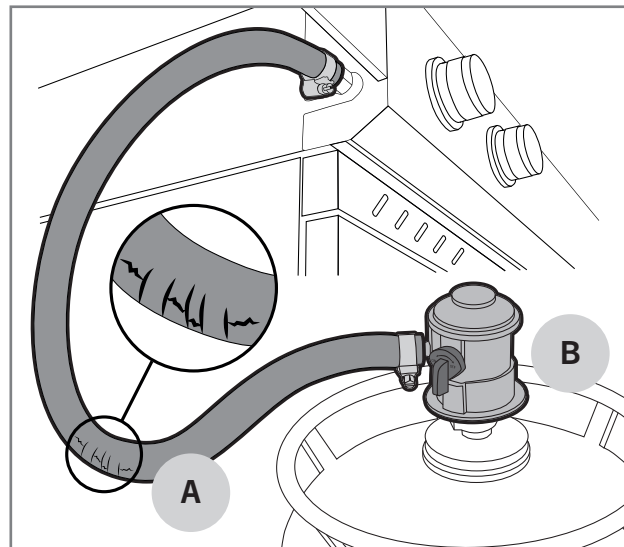
**i** When burning off the storage grease, the grill may produce unpleasant smoke. This is normal; the smoke will vanish once the storage grease has been burned out.

## Measures to perform before each use

To operate the grill safely and appropriately, you need to perform a few checks before each use. Carefully go through the checklist below:

1. Check that the grill is placed correctly and there are no flammable materials or liquids in the immediate vicinity of the grill.
2. Check that the gas hose is not cracked or torn (A).
3. Check that the low-pressure regulator is fastened tightly (B).
4. Check that the grill's bottom, grease tray, heat distributor plates and burners are clean of grease and marinade. By doing this, you can prevent grease fires.
5. Check that the burner holes are not covered by insect nests or webs (C).
6. Check that there are no bristles from grill brushes stuck to the grill or grids.

**!** Do not use the grill if the gas hose is damaged or the grill is missing parts.



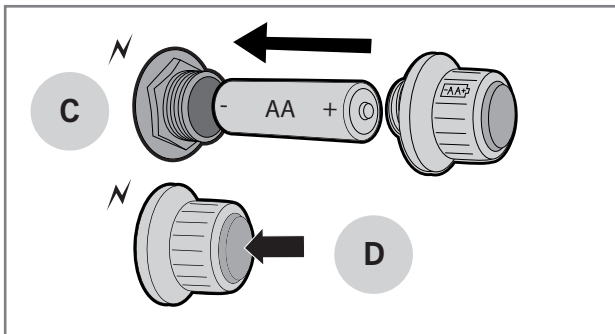
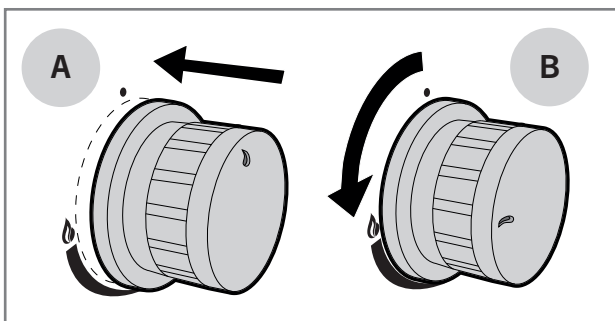


## Igniting the burners with a piezo igniter

In general, the burners are ignited with either a piezo integrated into a control knob or a battery-powered piezo. Each burner has its own control knob. You can start the ignition from the control knob with the lightning symbol ⚡. You can ignite the burner by following the instructions below:

1. Open the hood of the grill.
2. Open the gas flow using the low-pressure regulator.
3. Press the control knob of the burner down (A) and set it to ⚡ (B). The piezo integrated into the control knob ignites the burner.
4. If the grill is using a battery-powered piezo (C), check that the battery is in place and installed the correct way. Press and hold the piezo button (D) until the grill burner lights up.
5. Set the burner flame at a suitable power, between 🔥 and 🔥.
6. When the first burner has been ignited, you can ignite the remaining burners in order by turning the control knob counter-clockwise to 🔥.
7. Set the burner flame at a suitable power, between 🔥 and 🔥.

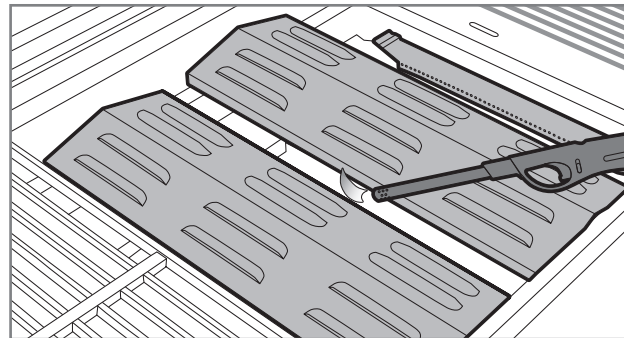
**i** If the burner does not light up, turn the control knob to OFF and wait 5 minutes before attempting to ignite the burner again. If you cannot get the burner to ignite using the piezo igniter, you can try lighting the burner up with a long match or lighter.



## Igniting the burners with a match or long lighter

1. Open the hood of the grill.
2. Open the gas flow using the low-pressure regulator.
3. Light a long match or lighter.
4. Press the control knob of the burner and turn it to 🔥.
5. Place a long match or lighter about a centimeter away from the burner.
6. When the first burner has been ignited, you can ignite the remaining burners in order by turning the control knob counter-clockwise between 🔥 and 🔥.

**i** If the burner does not light up within five seconds, turn the control knob to OFF and try to find a solution from the troubleshooting table.



## Igniting the burner of the side cooker

1. Open the lid of the side cooker.
2. Press the control knob of the burner and turn it to 🔥. The piezo integrated into the control knob ignites the burner.
3. If the grill has a battery-powered piezo, press and hold the piezo button until the burner lights up.
4. Set the burner flame at a suitable power, between 🔥 and 🔥.

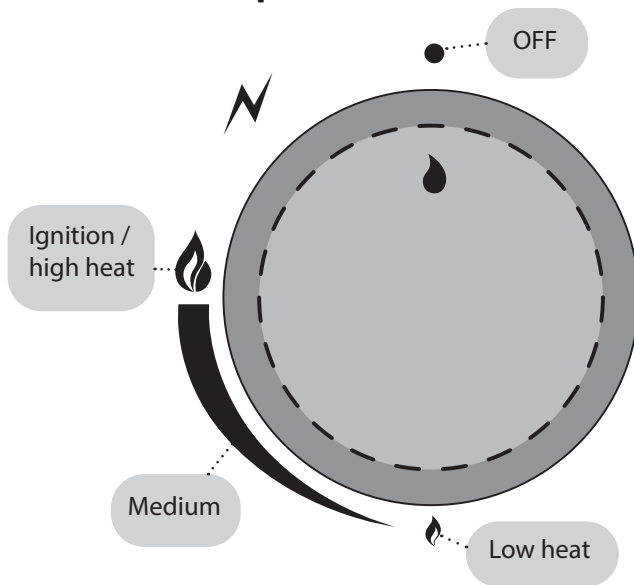
**i** If the burner does not light up, turn the control knob to OFF and wait 5 minutes before attempting to ignite the burner again. If you cannot get the burner to ignite using the piezo igniter, you can try lighting the burner up with a long match or lighter.



## Putting out the burners

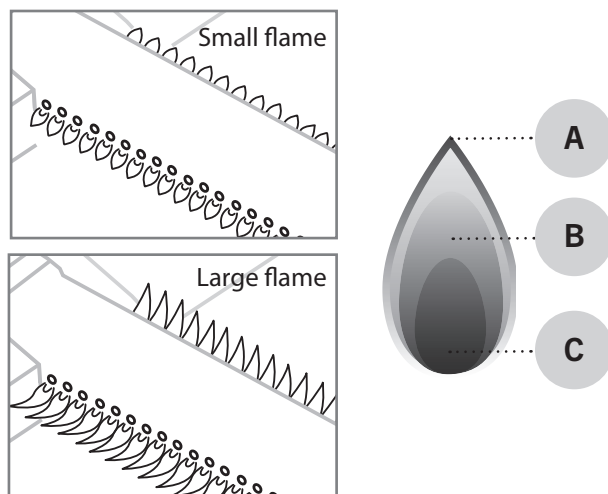
1. Shut off the gas flow from the low-pressure regulator to ensure that no gas remains in the grill or the gas hose.
2. Turn the control knob to the OFF position.
3. Close the hood of the grill.
4. Remove the pressure regulator from the gas cylinder.

## Controller positions



## Checking the flames

Always check the flame when turning the grill on. The burners have been optimized at the factory, but the small holes on them attract insects to nest and make webs on the burners. When the burners are burning properly, only the tip of the flame is occasionally yellow (A) and the flame's color changes from light blue (B) to dark blue from the top down (C).



**i** If the flame is not burning properly, check and clean the burner. If the burner is damaged, it must be replaced before continuing to use the grill.

## Flame moving

In windy weather, the wind may move the flame from the burners to the air supply hole, in which case the flame will burn under the control panel. This may damage the control panel, control knobs or valves. The flame also makes an unusual sound if it moves, so if you hear unusual buzzing or similar, do the following:

1. Shut off the gas flow from the low-pressure regulator.
2. Turn all controls to OFF.
3. Open the hood of the grill.
4. Remove the pressure regulator from the gas cylinder.
5. Move the grill to a more sheltered location.

**i** The warranty does not cover damage caused by the moving flame.

## Flame flaring up

The flame flaring up occasionally is a normal reaction in a gas grill. It also adds taste to the food. If the flame flares up often, the grill's inner temperature increases and more grease drops from the food being grilled. In turn, these phenomena increase the risk of grease fires. This is why the flaring should be prevented through measures taken in advance:

1. Remove extra grease from the meat before grilling it.
2. Aim to grill meat at the correct temperature.
3. Check that there is no excess grease or pieces of food on the grease tray.
4. Ensure that the heat distributor plates are clean of grease.
5. Grill with the hood closed as often as possible.

**i** When you grill with the hood closed, the grill's temperature will be more even and it will consume less gas. The closed hood also helps maintain moisture inside the grill, thanks to which the food does not dry up as easily.



# Useful tips

## General instructions for grilling

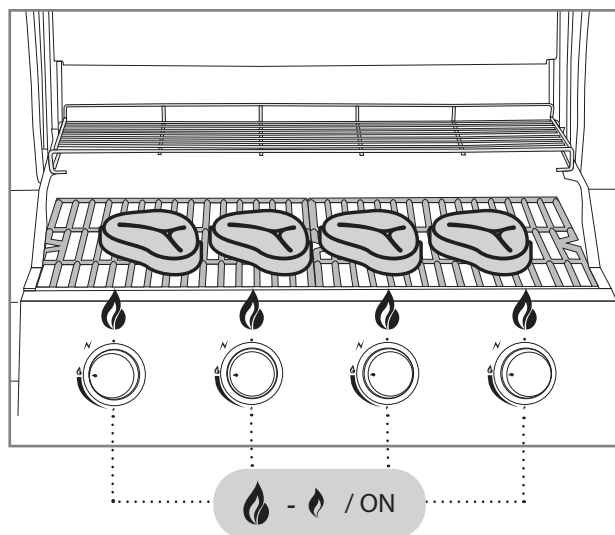
Grilling is very easy and relaxing once you keep a few rules in mind and make use of these general grilling instructions:

- **The grill must heat up properly.** Once the grids are sufficiently hot, food sticks to them less and the foods get a proper grilled surface.
- **Do not grill with dirty supplies.** Old marinades and food scraps easily stick to the grid and the food. Clean the grill and the grids after each use. This way, they are ready for the next grilling session.
- Ensure that all necessary supplies, seasonings, marinades and dishes are close before you start grilling.
- **Grill with the hood closed as often as possible.** When you grill with the hood closed, the grill's temperature does not decrease unnecessarily, and grilling is quicker.
- **Flip the meats as little as possible;** once is sufficient. When the food is allowed to cook slowly on the grill/grid, it gets a nicely seared surface.
- **Use a thermometer!** If you grill the food for too long, the food will become dry and lose its flavor. You can achieve the best results if you also get a meat thermometer.
- **Let the meat settle for 10–20 minutes** before cutting/serving it. While the meat settles, its temperature becomes more even and the juices do not flow out excessively when cutting the meat.

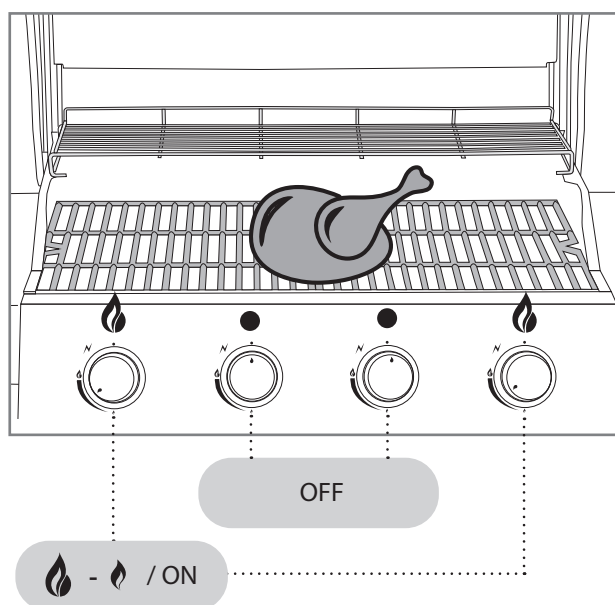
## Direct and indirect grilling

With a gas grill with multiple burners, you can make use of direct and indirect grilling. In general, smaller and softer foods are grilled at direct heat. Indirect grilling is usually used for large foods that need to be grilled longer, such as full roasts, chicken and fish. Indirect grilling is also used for preparing pieces of meat that have been seared through direct heat. See instructions for grilling at a direct or indirect heat below.

### Settings for direct grilling



### Indirect grilling settings

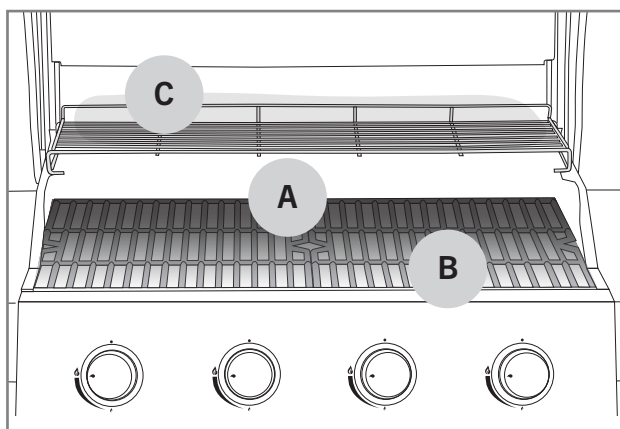


## Heat levels of the cooking areas

Conventional and common gas burners (pipe/plate burners) cause the grilling area to have uneven temperatures. This should be seen as a feature rather than a bug. The general rule is that the back of the grilling area (A) is hotter than the front (B). The cool area at the front is caused by the Venturi tube connected to the burner. In this tube, gas and air are mixed into a compound suitable for burning. The flame does not burn inside the Venturi tube.

Mustang also offers gas grill models where the grilling surface has more even temperature areas. These grills use U burners or separate burners where the Venturi tube structure is exceptionally in the middle of the burner. Thanks to these solutions, the flame also burns at the front of the burner.

The heating grid at the back of the grill (C) is cooler, so you can use it to keep food warm or slowly cook it at indirect heat.



## Marinades

The use of marinades is very common in grilling. Their purpose is to season the grilled food to taste. However, marinades also cause the food to stick to the grids. Similarly, oily marinades may spill on the burners and cause the flame to flare up, or even cause grease fires. With these few tips, you can reduce the problems caused by marinades:

1. Try to wipe extra marinade off the food before putting them on the grill.
2. If you add marinade during the grilling, always use a cooking brush. Do not pour the marinade on the food straight from a bottle.
3. Opt for dry rubs during grilling.

**i** Do not use leftover marinade from preparing raw meat to season cooked food. In this case, the bacteria from the raw meat will transfer to the cooked food.

## Preventing food from sticking to the grill

Food sticking to the grill or grid is a common phenomenon for all barbecue cooks. Here are a few tips to avoid excessive sticking:

1. Remember to pre-heat the grill so that it is sufficiently hot.
2. Clean the grids before putting food on the grill.
3. Spread oil on the grilling surface and the food to be grilled before putting it on the grill.
4. Do not flip the food on the grill too quickly; let the surface be grilled properly.



## Grilling temperature guide

Below is a list of the indicative grilling times and temperatures for the most common ingredients. Elements such as wind, rain, outdoor temperature and the cleanliness of the grill may affect the time required.



### Beef

Ingredient	Thickness / weight	Grilling method	Grilling time
Tenderloin / sirloin steak	ca. 2 cm	Direct high heat	2.5 – 3.5 min per side
Tenderloin / sirloin steak	ca. 5 cm	Direct high heat Indirect medium heat	2.5 min per side 8 – 10 min
Whole tenderloin	ca. 1.5 kg	Direct high heat Indirect medium heat	3 min per side 20 – 30 min
Roast	ca. 1.5 kg	Direct medium heat Indirect medium heat	3 – 4 min per side 30 – 40 min
Hamburger patty	ca. 2 cm	Direct high heat	2 – 3 min per side
Inner temperature			
Rare – almost rare		47 – 51 °C	
Medium		52 – 58 °C	
Almost done – well done		59 – 66 °C	



### Pork

Ingredient	Thickness/weight	Grilling method	Grilling time
Filet steak, chop	ca. 2 cm	Direct high heat	2 – 2.5 min per side
Tenderloin	ca. 600 g	Direct high heat Indirect medium heat	3 min per side 20 – 30 min
Ribs	ca. 1.5 kg	Indirect medium heat Direct high heat	60 – 90 min 4 min per side
Loin	ca. 3 cm	Direct medium heat Indirect medium heat	2.5 – 3 min per side 15 – 20 min
Raw sausage	ca. 400 g	Direct low heat	2 – 3 min per side
Inner temperature			
Well-done filet		65 – 70 °C	
Well-done, other ingredients		65 – 70 °C	



## Chicken and turkey

Ingredient	Thickness/weight	Grilling method	Grilling time
Breast filet	ca. 200 g	Direct medium heat	5 – 6 min per side
Leg	ca. 120 g	Direct medium heat	5 – 6 min per side
Wingsit	ca. 500 g	Direct medium heat Indirect medium heat	6 – 10 min 30 – 40 min
Whole chicken	ca. 900 g	Indirect medium heat	60 – 75 min
Inner temperature			
Well-done		75 °C	



## Fish

Ingredient	Thickness/weight	Grilling method	Grilling time
Thin filet	ca. 200 g	Direct medium heat	2 – 3 min per side
Thick filet	ca. 120 g	Direct medium heat	5 – 6 min per side
Whole fish	ca. 500 g	Indirect medium heat	20 – 30 min
Inner temperature			
Rosé		45 – 50 °C	
Well-done		55 – 60 °C	



## Vegetables

Ingredient	Thickness/weight	Grilling method	Grilling time
Cooked corn		Direct medium heat	6 min
Tomato		Direct medium heat	6 min per side
Asparagus		Direct medium heat	3 – 5 min
Sliced potato		Direct medium heat Indirect medium heat	5 – 8 min 10 – 15 min
Uncooked potato		Indirect medium heat	45 – 60 min





# Cleaning and storing the grill

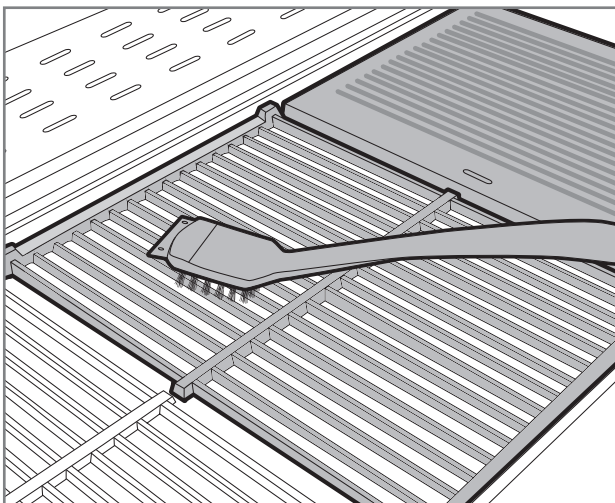
You can extend the service life of your grill significantly if you clean and maintain it regularly. If the grill does not heat up sufficiently or food sticks excessively to the grids, the grill has not been cleaned or maintained as instructed. Perform the following maintenance measures after each use.

## Grilling grids

If food or marinade is stuck on the grill or grid, do the following:

1. Check that the grill is turned off.
2. Remove loose food and grease from the surfaces using paper towels, for example.
3. Ignite the grill as instructed and set the burners to .
4. Close the hood and let the grill heat up for 5–10 minutes.
5. Turn off the grill and open the hood.
6. Let the grill cool down for about 10 minutes.
7. Brush burned food and dirt off with a cleansing brush intended for grills (A).
8. Grease the cleaned grilling grids with cooking oil using e.g., paper towels or a cooking brush.


 **Do not use a steel brush intended for welding to clean the grill, as it may damage the grill's surfaces. The warranty does not cover damage caused by such a steel brush.**



## Grease tray and cup

An unclean grease tray is the most common cause of grease fires. If you see pieces of food or marinade on the grease tray or cup, you must clean the tray/cup immediately by following the instructions below. The grease tray must not have pools of grease on it.

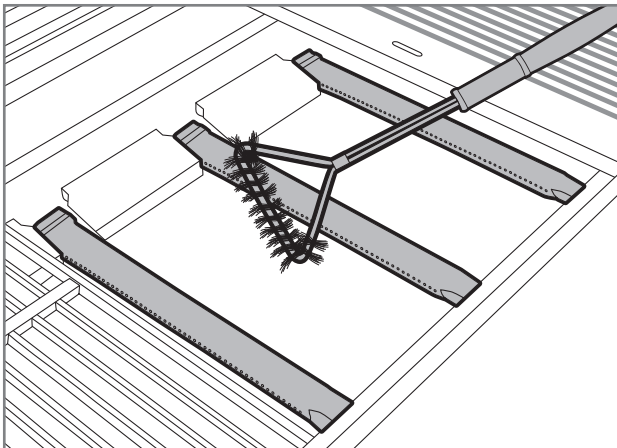
1. Check that the grill is turned off.
2. Take the grease tray/cup out of the grill.
3. Scrape loose food and grease off using the scraper on the grill-cleaning brush or a plastic spatula.
4. Wash the grease tray/cup with mild dishwashing liquid.
5. Dry the grease tray/cup and place it back into the grill.

 **You can make the cleaning easier by using a foil on top of the grease tray to collect any extra food and grease. When cleaning the tray, you only need to remove the dirty foil.**

## Burners

The grill's burners are the most vital part for the grill's functionality and heating. This is why you need to check their cleanliness and condition regularly. You must remove and check the burners at least twice a year, particularly when the grill has been in storage for a long time. The small holes on the burners attract insects and spiders to nest in the burners. Such obstructions cause the flame to burn unevenly and impurely. Obstructions may cause the flame to flare up outside the gas pipe, which will damage the grill severely. Clean the burners by following the instructions below:

1. Check that the grill is turned off.
2. Remove the grill grids and heat distributor plates.
3. Remove the burner from the fire box by loosening the mounting screw. The screw is normally located at the back end of the burners.
4. In some grill models, removing the burners requires that you also remove the back plates of the grill.
5. Some models can also be cleaned even when the burners are in place. The most important part is being able to access all of the small gas holes.
6. Use the brass cleaning brush intended for grills to clean the burner surfaces.
7. Ensure that the burner holes are open and clean. You can use a thin wire for this.
8. If the burner is damaged or badly corroded, replace it immediately.
9. At the same time, check that the valve nozzle is clean and intact.
10. Place the cleaned burners back into the grill.

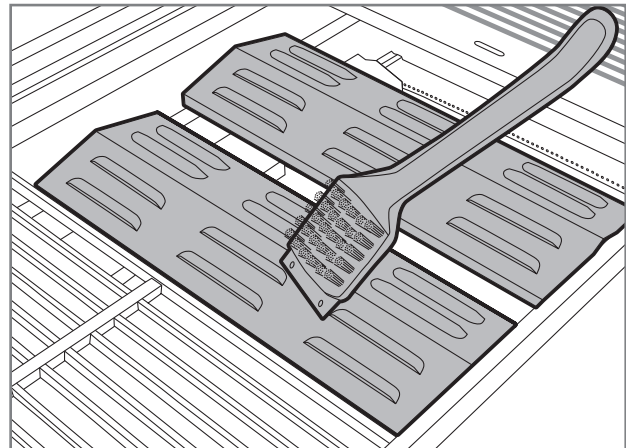


## Flame tamers

The flame tamers spread the heat evenly on the grilling surface. The surface of the flame tamers also collects food scraps and marinade. Dirty flame tamers decrease the grill's efficiency. Clean the flame tamers by following the instructions below:

1. Check that the grill is turned off.
2. Remove the flame tamers from the grill.
3. Scrape food off the tamers' surface using the scraper part of the cleaning brush or a plastic spatula.
4. Finally, brush off the dirt using a brass cleaning brush intended for grills.
5. If you wish, you can also wash the flame tamers in a sink using mild dishwashing liquid.
6. Dry the flame tamers and place them back into the grill.

**i** Do not wash the flame tamers in a dishwasher.





## Other grill components

In addition to the components mentioned above, the grill also has many other steel parts that need to be cleaned regularly. You can follow the general instructions below for cleaning such components:

1. Clean the steel parts of the grill with Mustang grill cleaning fluid, Mustang stainless steel cleaning liquid or mild dishwashing liquid and a cloth.
2. Do not forget to dry the cleaned parts carefully.
3. Do not use detergents for cleaning the control panels and the surfaces with warning labels, as they may remove the text or other labels.
4. Clean all of the grill's outer surfaces at least three times a year so that stains do not stick to the surfaces.
5. Always test the suitability of a new detergent on an unnoticeable spot.

**i** Chloride and salt may cause the grill to rust. If the grill is being used in the immediate vicinity of seawater or a pool, the grill must be cleaned weekly.

## Cleaning wooden parts

If the grill includes wooden parts, they must be cleaned and maintained as follows:

1. Clean all wooden parts regularly by wiping them with a damp cloth and mild soap and water mixture.
2. Dry the cleaned surfaces carefully.
3. Treat the wooden parts with generally available colorless wood oil intended for outdoor furniture at least twice a year. This will prevent the wooden parts from drying and cracking.
4. Before the actual treatment, test the wood oil and any other conditioners in a small, inconspicuous area to ensure their suitability. Always follow the manufacturer's instructions when treating wooden parts.

## Storage

Check these instructions if you stop using the grill for a longer time or you wish to put the grill into storage for the winter, for example. Proper storage prolongs the grill's service life and keeps it operational for many years. When storing the grill, follow the instructions below:

1. Clean the grill completely according to the instructions in the manual.
2. Turn the grill on and let it warm up for 15 minutes so that all steel parts dry off.
3. Let the grill cool down.
4. Ensure that all grill grids are greased.
5. If storing the grill outdoors, remove the burners, grids, heating grid and heat distributor plates from the grill. These parts need to be stored in a dry and warm space. It is also recommended that you wrap these parts into newspapers or similar so that the surfaces do not get scratched.
6. Remove the low-pressure regulator from the gas cylinder.
7. Always store the gas cylinder outdoors and ensure that it is not exposed to heat or sunlight.
8. If the grill is stored outdoors, it is recommended that you purchase a high-quality cover for it that covers it all the way down. Ensure that air can circulate even under the cover.

**i** Do not store the grill in a place where snow dropping from the roof can hit it. The warranty does not cover damage caused by snow and ice.



# Troubleshooting

Malfunctions may occur in all grills. These malfunctions are usually easily fixable. If you cannot find a solution for your problem in the table below, please contact the seller.

Problem	Possible cause	Solution
Gas is not flowing.	The low-pressure regulator is turned off.	Start the gas flow via the low-pressure regulator.
	The low-pressure regulator is not properly attached to the gas cylinder.	Remove the low-pressure regulator and re-attach it carefully.
	The gas hose or pressure regulator is faulty.	Replace the gas hose or pressure regulator and perform the leak test.
The burner does not light up with a battery-operated piezo.	The battery is out or it has not been installed.	Replace the battery.
	The igniter cables are loose or incorrectly installed.	Check the connections and re-install the cables.
	The igniter is faulty.	Replace the igniter.
The burner does not light up with a match or lighter.	The burner's holes are blocked.	Clean the burners according to instructions.
	The burners are not properly attached to the valves.	Check the installation and condition of the burners.
The grill does not heat up properly.	The air supply into the burners is blocked.	Check and clean the burners.
	Too little gas.	Replace the cylinder.
	Gas flow is obstructed.	Check that the gas hose is intact and not twisted.
The flame is uneven, completely yellow or smoking.	The burners do not receive sufficient air.	Clean the burners according to instructions.
	There is food, salt or marinade stuck on the burner surface.	Clean the burners according to instructions.
The flame flares up often or the temperature is too high.	Too much grease and marinade on the food.	Wipe any extra grease off.
	The heat distributor plates or grease tray are too dirty.	Clean the heat distributor plate or the grease tray of excessive food or grease.
The flame does not stay on.	The wind is too strong.	Move the grill away from wind.
	Low gas.	Replace the cylinder.
Flames are visible outside the burners.	Obstruction in the burners.	Check and clean the burners.
	Strong wind.	Move the grill away from wind.
The pressure regulator is buzzing or humming.	Hot outdoor temperature.	No actions necessary. A passing situation.
	Full gas cylinder.	





# Warranty

EN

This Mustang gas grill comes with a 10-year manufacturing and material warranty. Please check our website for the latest warranty terms

**[mustang-grill.com](http://mustang-grill.com)**

To take care of any warranty matters, you will need a purchase receipt that indicates the place and date of purchase.



# MUSTANG



FI

**Asennus- ja käyttöohje**

---



# Tervetuloa mukaan Mustangin grillausmaailmaan

FI

Olemme onnellisia, että valintasi osui Mustang-kaasugrilliin. Mustang haluaa toimia grillauskaverinasi ja varmistaa unelmiesi grillauselämyksen. Mustang on syntynyt halusta nauttia kiireettömästä, rennosta ruuanlaitosta yhdessä perheen tai ystävien kanssa ja tämän saman ajatuksen haluamme tarjota myös sinulle.

Mustang-grillit ja tarvikkeet on huolellisesti suunniteltu ja viimeistely, joten pystymme seisomaan ylpeänä niiden takana. Pitkä kokemuksemme ja ammattitaitomme näkyvät jokaisessa tuotteessamme ja niistä löytyvät kaikki oleelliset toiminnallisuudet ja ominaisuudet. Olemme varmoja, että tästä grillistä on sinulle iloa pitkäksi aikaa, kunhan vain muistat huoltaa ja puhdistaa grillisi tämän käyttöoppaan ohjeiden mukaisesti.

## Kaikkein laajin grillausvalikoima

Mustang on suomalaisen Tammer Brands Oy:n omistama tuotemerkki. Mustang tarjoaa kaikki grillaamiseen tarvittavat laitteet, välineet, tarvikkeet ja varaosat sekä laajan valikoiman tuotteita savustukseen ja pizanzaistoon. Tunneimme grillauskulttuurin täydellisesti, joten voimme varmistaa, että saatavillasi on juuri oikeat ja nykyaikaisimmat tuotteet. Mustang on siis ainoa merkki minkä tarvitset onnistuneeseen grillaukseen.

## Asiakaspalvelu

Tammer Brands Oy,  
puh. 03 252 1111  
Viinikankatu 36,  
33800 Tampere, Finland

**TAMMER**  
BRANDS | EST 1954

[mustang-grill.com](http://mustang-grill.com)



Lue käyttöohjeet läpi ennen grillin käyttöä ja säilytä ne myöhempää tarvetta varten.

Seuraa meitä somessa



**mustanggrill**

  
**MUSTANG**

# Sisällysluettelo

FI

<b>Kokoamisohjeet</b> .....	3
Ennen asentamista .....	4
<b>Turvallisuusohjeet ja varoitukset</b> .....	38
Grillin sijoittaminen .....	38
Kaasuun liittyvät turvallisuusohjeet .....	38
Yleiset turvallisuusohjeet .....	39
<b>Kaasun liittäminen grilliin</b> .....	40
Tietoa nestekaasusta .....	40
Kaasuletkun asentaminen .....	40
Matalapainesäätimen asentaminen .....	41
Nestekaasun vuototarkastus .....	41
<b>Grillin käyttäminen</b> .....	42
Toimenpiteet ennen ensimmäistä käyttökertaa .....	42
Toimenpiteet ennen jokaista käyttökertaa .....	42
Polttimien sytyttäminen piezo-sytyttimellä .....	43
Polttimien sytyttäminen tulitikulla tai pitkällä sytyttimellä .....	43
Sivukeittimen polttimen sytyttäminen .....	43
Polttimien sammuttaminen .....	44
Säätimien asennot .....	44
Liekkien tarkistaminen .....	44
Liekin vetäytyminen .....	44
Liekin leimahtelu .....	44



<b>Hyödyllisiä ohjeita</b> .....	45
Yleisiä grillausohjeita .....	45
Suora ja epäsuora grillaaminen .....	45
Suoran grillaamisen asetukset .....	45
Epäsuoran grillaamisen asetukset .....	45
Paistopinta-alan lämpöalueet .....	46
Marinadit .....	46
Ruoan tarttumisen välttäminen .....	46
Grillausopas lämpötiloihin .....	47
<b>Grillin puhdistus ja varastointi</b> .....	49
Grillausritilät ja -parilat .....	49
Rasvapelti ja -kuppi .....	49
Polttimet .....	50
Lämmönjakolevyt .....	50
Muut grillin osat .....	51
Puuosien puhdistus .....	51
Varastointi .....	51
<b>Vianmääritys</b> .....	52
<b>Takuu</b> .....	53



## Turvallisuusohjeet ja varoitukset

FI

Käyttäessäsi tätä kaasugrilliiä, olet velvoitettu lukemaan huolellisesti ja kiinnittämään huomiota tässä käyttöoppaassa oleviin varoituksiin ja turvallisuusohjeisiin ennen grillin käyttämistä. Tämä grilli on CE-merkitty olemassa olevien asetusten mukaisesti.

Merkkien selitykset:  VAARA!  HUOM!

### Grillin sijoittaminen



Tämä grilli on tarkoitettu ainoastaan ulkokäyttöön, eikä sitä saa koskaan käyttää sisätiloissa tai suljetussa tilassa. Katso alta huomioitavat kohdat.

- Käytä grilliä vain ulkona.
- Älä käytä grilliä seinän vieressä, autotallissa, asuntoautossa tai -vaunussa, muussa suljetussa tilassa tai sisällä.
- Varmista että grillin ympärillä on vapaata tilaa vähintään metri jokaisella sivulla sekä grillin päällä.
- Varmista, että grillin läheisyydestä löytyy sammutinpeite / käsisammutin sekä ensiapupakkaus.
- Grilliä ei saa sijoittaa arkojen pintojen päälle tai läheisyyteen, koska grillistä voi normaalikäytössä roiskua ja valua rasvaa sekä marinadeja.
- Varmista, että grilli sekä kaasupullo on sijoitettu vaakasuoralle alustalle.

### Kaasuun liittyvät turvallisuusohjeet



Vain kaasuasennusoikeudet omaava huolto- liike voi huoltaa ja säätää grillin pääventtiileitä, suuttimia sekä kaasuhanoja. Katso alta huomioitavat kohdat.

- Sulje kaasuntulo kaasupullolta aina käytön jälkeen, sekä irrota matalapainesäädin pullosta.
- Käsittele nestekaasusäiliötä varovasti, älä pudota tai kolauttele sitä. Älä varastoi nestekaasusäiliötä paikkaan, jossa lämpötila voi ylittää +50 °C.
- Tarkista kaasuletkun kunto aina ennen käyttöä.
- Tee vuototesti säännöllisesti ohjeiden mukaan. Vuototesti on tehtävä varsinkin silloin, kun grilli on pitkään käyttämättä tai kun olet vaihtanut kaasupullon, paineensäätimen tai letkun.
- Jos tunnet voimakasta kaasun hajua, sulje kaasuntulo välittömästi sekä laita kaikki säätimet OFF asentoon. Tämän jälkeen avaa grillin kansi ja tee vuototesti ja korjaa liitokset. Jos et löydä viikaa, ole yhteydessä huolto- tai myyjäliikkeeseen.
- Älä koskaan tarkista kaasuvuotoa avotulella.
- Älä irrota kaasuletkua tai matalapainesäädintä, kun grilli on käytössä.



## Yleiset turvallisuusohjeet



**Grillin käyttäminen muuhun kuin suunniteltuun tarkoitukseen voi aiheuttaa vaaraa ja grillin pienikin rakenteellinen muuttaminen on kaikilta osin kielletty. Katso alta huomioitavat kohdat.**

- Seuraa kokoamisohjeita tarkasti ja huomio että kasaamisessa ei saa jättää osia kiinnittämättä. Jos ohjeita ei noudata tai osia on jäänyt kiinnittämättä, voi ilmetä ongelmia käytössä. Grillin asianmukainen kokoaminen on käyttäjän vastuulla.
- Lue käyttöohjeet ennen grillin käyttöä, ja säilytä ne myöhempää tarvetta varten.
- Grilli kuumenee käytön aikana, joten ole erityisen tarkkaavainen, jos ympärillä on lapsia, vanhuksia tai lemmikkejä.
- Grillin välittömässä läheisyydessä ei saa olla helposti syttyvää materiaalia, nesteitä tai grilliin kytkemättömiä kaasupulloja.
- Älä kumarru grillin päälle sytyttäessäsi sitä.
- Grilliä ei saa jättää vartioimatta käytön aikana.
- Älä siirrä grilliä sen ollessa käytössä.
- Muista käyttää kuumuutta kestäviä grillihanskoja käyttäessäsi grilliä.
- Huolehdi, että grillin pohja, rasvapelti, lämmönjakolevyt ja polttimet ovat puhtaita rasvasta ja marinadeista.
- Älä käytä grilliä, jos se ei toimi normaalisti.
- Älä anna lasten käyttää grilliä.
- Alkoholit, reseptilääkkeet ja kaikenlaiset päihteet voivat vaikuttaa käyttäjän kykyyn käyttää grilliä turvallisesti ja asianmukaisesti.

FI

# Kaasun liittäminen grilliin

FI

## Tietoa nestekaasusta

Ennen kuin voit ottaa grillin käyttöösi, sinun on hankittava nestekaasupullo, matalapainesäädin sekä kaasuletku. **Nämä eivät kuulu grillin toimitukseen.**

Nestekaasu on erittäin helposti syttyvä petrolipohjainen aine, jota säilytetään paineistetuissa nestekaasupulloissa. Nestekaasupulloja löytyy 5 kg - 11 kg pulloina. Varmista että ostamasi pullo ei ole kolhiintunut tai ruosteessa eikä pullon venttiili ole vahingoittunut. Kuljeta aina nestekaasupulloa pystyasennossa hyvin kiinnitettynä. Kotitalouskäytössä kaasupullon koko saa olla maksimissaan 615 mm korkea ja halkaisijaltaan 310 mm.

Kaasu ohjataan pullolta grilliin matalapainesäätimen ja letkun avulla. Matalapainesäätimen ansiosta kaasu virtaa grillille tasaisesti.

**!** Pulloon liitettävä paineensäädin ei saa olla säädettävä ja säätimen käyttöpaineen tulee olla 30 mbar.

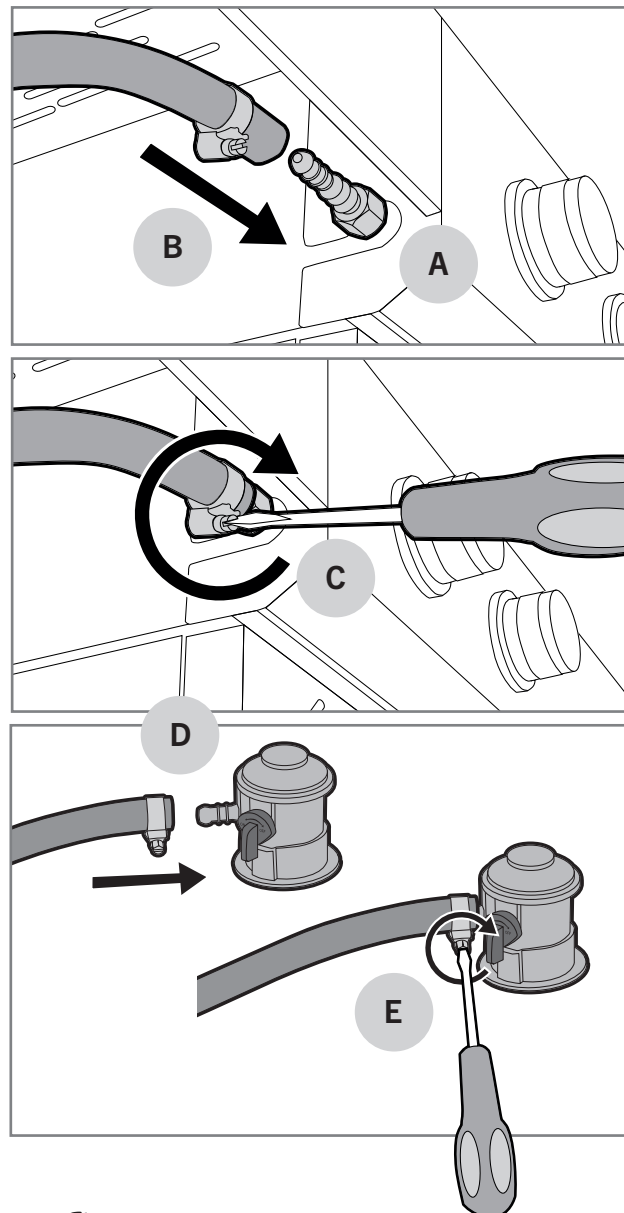
**!** Kaasuletkun pituus saa olla maksimissaan 1,2 m ja halkaisija maksimissaan 10 mm (Huom. Ruotsissa max 8 mm).

**i** Paineensäädin tulee olla valmistettu standardin EN16129 mukaisesti. Paineensäätimessä käyttöpaine on merkitty nominaalipaineen mukaisesti 29 mbar.

**i** Kaasuletku tulee olla valmistettu standardin EN16436 mukaisesti.

## Kaasuletkun asentaminen

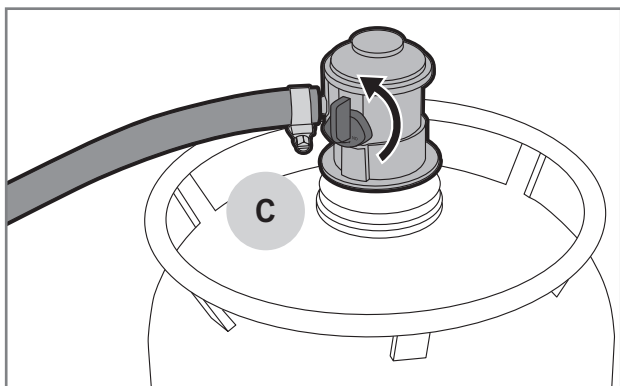
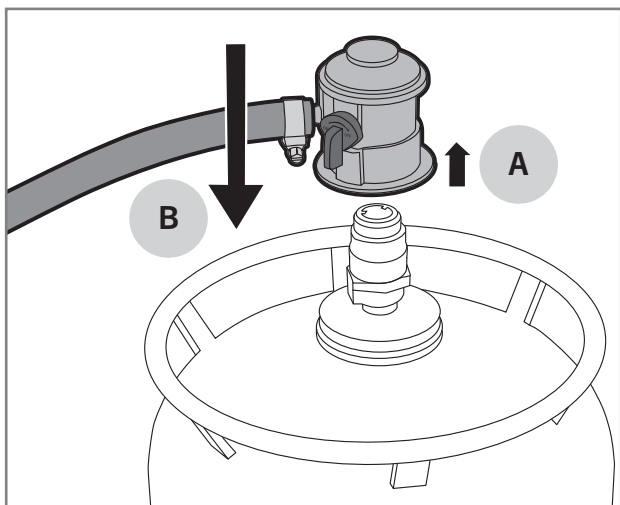
1. Tarkista kaasuletkun kunto.
2. Varmista, että kaikki grillin säätönupit ovat OFF asennossa.
3. Varmista, että grillin letkuistukka on kunnolla kiinni (A).
4. Työnnä kaasuletku letkuistukkaan mahdollisimman pitkälle ja tiiviisti (B).
5. Kiristä letku kiinni grillin letkuistukkaan letkuklemmarilla (C).
6. Työnnä kaasuletkun toinen pää matalapainesäätimen letkuistukkaan (D).
7. Kiristä letku kiinni painesäätimen istukkaan letkuklemmarilla (E).





## Matalapainesäätimen asentaminen

1. Tarkista matalapainesäätimen kunto.
2. Kiinnitä matalapainesäädin kiinni pulloon vetämällä lukitusrengasta ylöspäin (A) ja samalla painamalla säädin kaasupulloon (B).
3. Varmista kiinnitys vetämällä säätimestä voimakkaasti ylöspäin.
4. Avaa kaasuntulo säätimestä hitaasti, jotta paine tasaantuu (C).

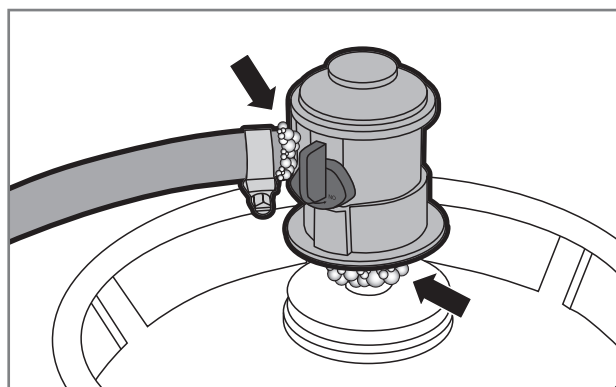
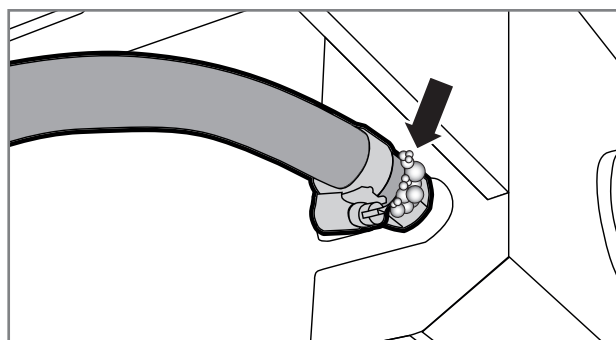


## Nestekaasun vuototarkastus

Vuototarkastus täytyy tehdä aina kun vaihdetaan uusi kaasupullo, paineensäädin tai kaasuletku. Tarkastus pitää tehdä myös säännöllisesti vuosittain ja varsinkin pidempien varastointitaukojen jälkeen. Tee vuototarkastus alla olevan ohjeen mukaan:

1. Avaa grillin kansi ja varmista että kaikkien polttimien säätimet ovat OFF asennossa.
2. Avaa matalapainesäädin.
3. Kastele kaikki venttiilit, letkuliitokset, säätimen kiinnitykset, kaasupullon liitännät ja hitsaussaumamat saippualliuoksella (30 % astianpesuainetta tai nestesaippuaa ja 70 % vettä). Kastelun voit tehdä joko harjaamalla tai suihkepullolla.
4. Tarkkaile huolellisesti, ilmestyykö mihinkään kuplia. Kuplat ilmaisevat kaasuvuodon.
5. Kuplien syntyessä, sulje kaasuntulo ja kiristä liitoksia niistä kohdista, jossa kuplia ilmaantuu.
6. Jos kuplia ilmaantuu letkun keskellä tai kaasupullossa, vaihda osa uuteen.
7. Avaa kaasuntulo ja tee vuototarkistus uudelleen.
8. Huuhtele saippuavesi pois puhtaalla vedellä ruostumisen ehkäisemiseksi.

**Älä käytä grilliä, jos et saa kaasuvuotoja korjattua. Tällöin irrota paineensäädin kaasupullostasi ja ole yhteydessä huolto- / myyjäliikkeeseen.**





# Grillin käyttäminen

FI

## Toimenpiteet ennen ensimmäistä käyttökertaa

Vuototarkistuksen jälkeen grillistä täytyy polttaa tehtaan varastorasvat pois ennen kuin grilli on käyttövalmis. Varastorasvojen poltto tapahtuu alla olevan ohjeen mukaan:

1. Avaa grillin kansi ja sytytä kaikki polttimet sytytysohjeiden mukaisesti.
2. Aseta polttimet -teholle ja käytä niitä 5 minuuttia kansi auki.
3. Sulje kansi ja käytä polttimia vielä 10 minuuttia -teholle.
4. Käännä polttimet OFF asentoon ja sulje kaasuntulo.
5. Anna grillin jäähtyä 15 minuuttia.
6. Puhdista grillin parilat ja ritilät grillinpuhdistus-harjalla.
7. Öljyä grillin parilat ja ritilät ruokaöljyllä.

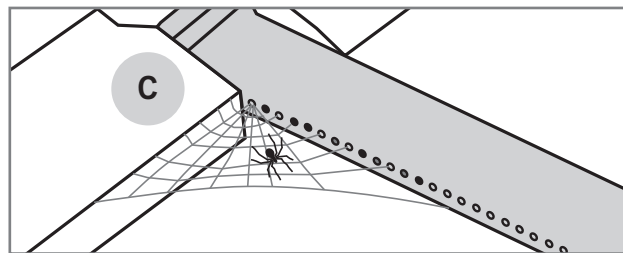
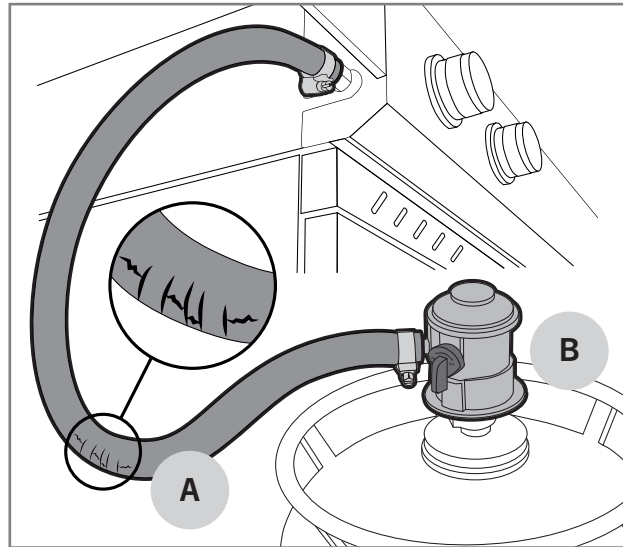
 **Varastorasvojen polttamisen aikana grillistä saattaa tulla epämiellyttävää savua. Tämä on normaalia ja savu häviää, kun varastorasvat ovat palaneet.**

## Toimenpiteet ennen jokaista käyttökertaa

Grillin turvallinen ja asianmukainen käyttö edellyttää muutamaa tarkistusta ennen jokaista käyttökertaa. Käytä alla löytyvä tarkistuslista huolellisesti läpi:







1. Tarkista, että grilli on sijoitettu oikein ja grillin välittömässä läheisyydessä ei ole helposti syttyviä materiaaleja tai nesteitä.
2. Tarkista, että kaasuletkussa ei ole halkeamia eikä repeytymiä (A).
3. Tarkista, että matalapainesäädin on kunnolla kiinni (B).
4. Tarkista, että grillin pohja, rasvapelti, lämmönjakolevyt ja polttimet ovat puhtaita rasvasta ja marinadeista. Näin estät rasvapalojen syntymisen.
5. Tarkista, että polttimien reiät eivät ole hyönteisten pesien tai seittien peitossa (C).
6. Tarkista, ettei grilliharjojen harjaksia löydy grillausritilöistä tai -pariloista.

 **Älä käytä grilliä, jos kaasuletku on vahingoittunut tai grillistä puuttuu osia.**

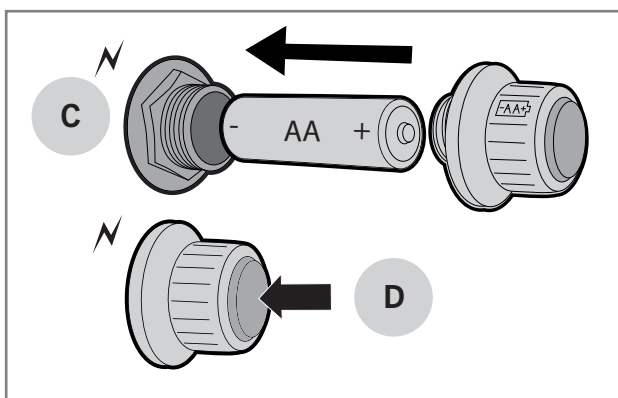
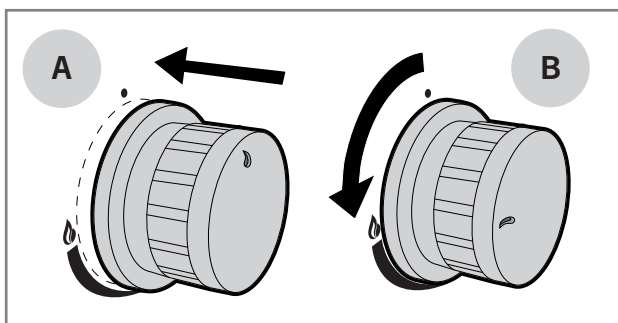


## Polttimien sytyttäminen piezo-sytyttimellä




Polttimien pääsääntöinen sytyttäminen tapahtuu joko säätönuppiin integroidulla piezolla tai paristotoimisella piezolla. Jokaiselle polttimelle on oma säätönuppi. Sytytys tapahtuu säätönupista, jossa on salamän kuva. Polttimen sytyttäminen tapahtuu seuraavalla tavalla:

1. Avaa grillin kansi.
2. Avaa kaasun tulo matalapainesäätimestä.
3. Paina polttimen säätönuppi pohjaan (A) ja käännä se -teholle (B). Säätönuppiin integroitu piezo sytyttää polttimen.
4. Jos grillissä on paristokäyttöinen piezo (C), varmista, että paristo on paikoillaan ja oikein päin asennettu. Paina piezo -nappi pohjaan (D), kunnes grillin poltin syttyy.
5. Säädä polttimen liekki sopivalle teholle  ja  alueen väliin.
6. Kun ensimmäinen poltin on syttynyt, voidaan loput polttimet sytyttää järjestyksessä kääntämällä säätönuppia vastapäivään -teholle.
7. Säädä polttimien liekki sopivalle teholle  ja  alueen väliin.

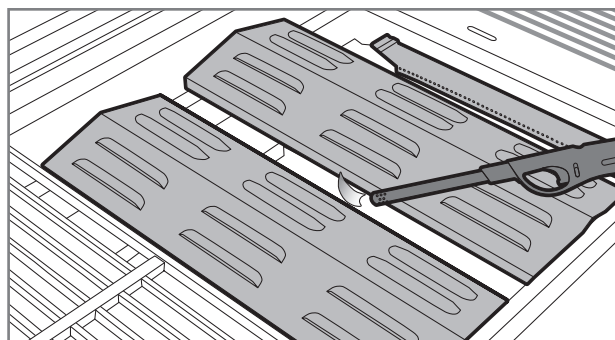
**i** Jos poltin ei syty, käännä säädin OFF asentoon ja odota viisi minuuttia ennen kuin yrität sytyttämistä uudelleen. Jos et saa poltinta syttymään piezo-sytyttimellä, voit yrittää polttimen sytyttämistä pitkällä tulitikulla tai pitkällä sytyttimellä.






## Polttimien sytyttäminen tulitikulla tai pitkällä sytyttimellä

1. Avaa grillin kansi.
2. Avaa kaasun tulo matalapainesäätimestä.
3. Sytytä pitkä tulitikku tai pitkä sytytin.
4. Paina polttimen säädintä ja käännä se -teholle.
5. Vie pitkä tulitikku tai pitkä sytytin noin sentin päähän polttimesta.
6. Kun ensimmäinen poltin on syttynyt, voidaan loput polttimet sytyttää järjestyksessä kääntämällä säädintä vastapäivään  ja  alueen väliin.

**i** Jos poltin ei syty viiden sekunnin kuluessa, käännä säädin OFF asentoon ja koita löytää ratkaisu ongelmanratkaisutaulukosta.



## Sivukeittimen polttimen sytyttäminen

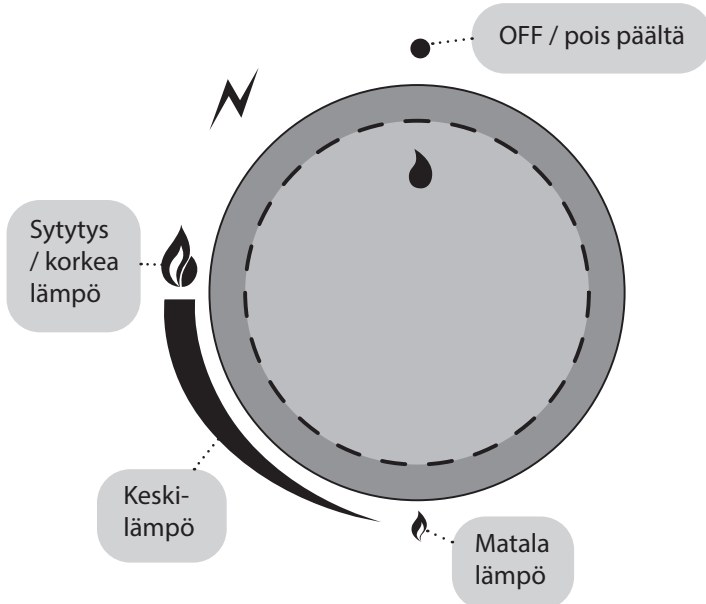
1. Avaa sivukeittimen kansi.
2. Paina polttimen säätönuppia ja käännä se -teholle. Säätönuppiin integroitu piezo sytyttää polttimen.
3. Jos grillissä on paristokäyttöinen piezo, niin paina piezo -nappi pohjaan, kunnes grillin poltin syttyy.
4. Säädä polttimen liekki sopivalle teholle  ja  alueen väliin.

**i** Jos poltin ei syty, käännä säädin OFF asentoon ja odota viisi minuuttia ennen kuin yrität sytyttämistä uudelleen. Jos et saa poltinta syttymään piezo-sytyttimellä, voit yrittää polttimen sytyttämistä pitkällä tulitikulla tai pitkällä sytyttimellä.

## Polttimien sammuttaminen

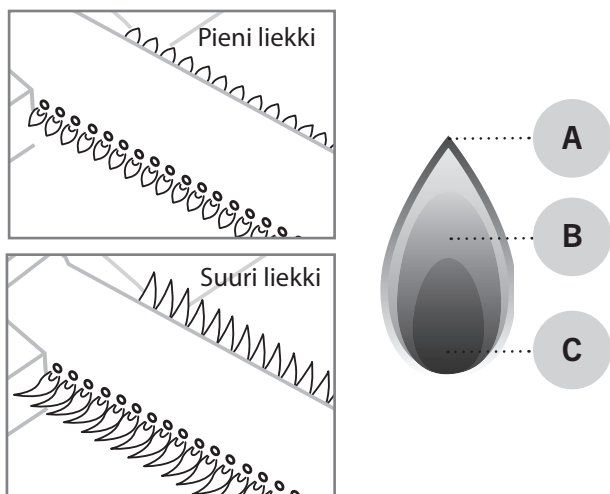
1. Sammuta kaasuntulo matalapainesäätimestä, näin varmistat, ettei kaasua jää grilliin tai kaasuletkuun.
2. Käännä säätönupit OFF asentoon.
3. Sulje grillin kansi.
4. Irrota paineensäädin kaasupullosta.

## Säätimien asennot



## Liekkien tarkistaminen

Tarkista liekki aina kun sytytät grillin. Polttimet on valmiiksi tehtaalla optimaalisesti säädetty, mutta polttimien pienet reiät houkuttelevat hyönteisiä pesimään ja tekemään seittejä polttimiin. Kun polttimet palavat kunnolla, vain liekin kärki lepattaa välillä keltaisena (A) ja liekin väri muuttuu alaspäin mentäessä vaaleansinisestä (B) tummansiniseen (C).



**i** Jos liekki ei pala kunnolla, tarkista ja puhdisti poltin. Jos poltin on vahingoittunut, on se vaihdettava uuteen ennen käyttöä.

## Liekin vetäytyminen

Tuulisella ilmalla, tuuli voi painaa liekin pois polttimista ilmanottoaukolle, jolloin liekki palaa ohjauspaneelin alla. Tämä voi vahingoittaa ohjauspaneelin, säätönupit ja grillin venttiilit. Liekin vetäytyminen aiheuttaa myös epämääräistä ääntä, eli jos kuulet ylimääräistä kohinaa tai röpötystä niin toimi seuraavasti:

1. Sammuta kaasuntulo matalapainesäätimestä.
2. Käännä kaikki säätimet OFF asentoon.
3. Avaa grillin kansi.
4. Irrota paineensäädin kaasupullosta.
5. Siirrä grilli suojauspaan kohtaan.

**i** Liekin vetäytymisestä aiheutuneet vahingot grillissä eivät kuulu takuun piiriin.

## Liekin leimahtelu

Liekin vähäinen leimahtelu on normaali ilmiö kaasugrillia käyttäessä ja se myös lisää ruokiin makua. Jos leimahtelua syntyy paljon, kasvattaa se grillin sisälämpötilaa ja lisää rasvan tippumista grillattavista ruoista. Nämä taas lisäävät rasvapalon riskiä. Tästä syystä leimahtelua pyritään ehkäisemään ennakoon tehtävillä toimenpiteillä:

1. Poista ylimääräinen rasva lihasta ennen grillaimista.
2. Pyri kypsentämään lihat oikeassa lämpötilassa.
3. Varmista, että rasvapelillä ei ole ylimääräistä rasvaa tai ruuanpaloja.
4. Varmista, että lämmönjakolevyt ovat puhtaat rasvasta.
5. Grillaa kansi suljettuna aina kun se on mahdollista.

**i** Grillatessa kansi suljettuna, grillin lämpötila on tasaisempi ja kaasua kuluu vähemmän. Suljettu kansi auttaa myös pitämään kosteuden grillin sisällä, jolloin ruuat eivät kuivu niin helposti.

# Hyödyllisiä ohjeita

## Yleisiä grillausohjeita

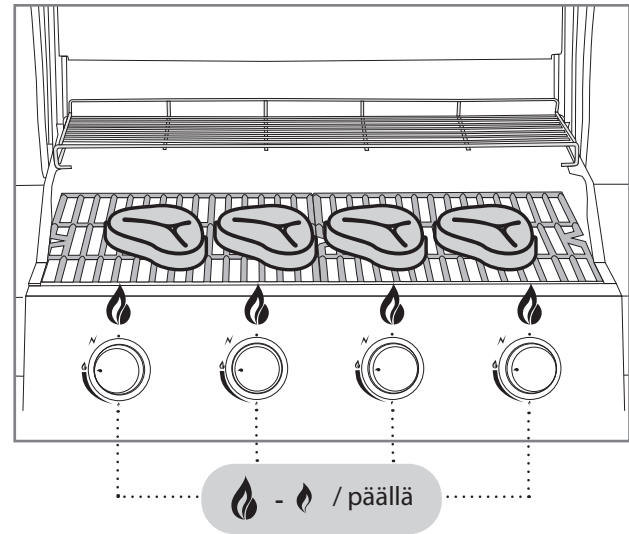
Grillaaminen on hyvin helppoa ja rentouttavaa, kunhan muistat muutaman pienen asian ja hyödynnät näitä yleisiä grillausohjeita:

- **Grillin täytyy kuumeta kunnolla.** Kun grillin parilat ja ritilät ovat kunnolla kuumenneet, ruuan tarttuminen vähentyy ja ruokiin syntyy kunnollinen paistopinta.
- **Älä grillaa likaisilla välineillä.** Vanhat marinadit ja ruuan jämät tarttuvat helposti ritilään ja grillattavaan ruokaan. Puhdista grillin ritilät ja parilat aina jokaisen käyttökerran jälkeen. Näin ne ovat valmiina seuraavaa käyttökertaa varten.
- Varmista, että kaikki tarvittavat työvälineet, mausteet ja marinadit sekä astiat ovat lähettyvillä ennen grillaamisen aloittamista.
- **Grillaa mahdollisimman paljon kansi kiinni.** Kansi kiinni grillatessa grillin lämpötila ei laske turhaan ja grillausajat lyhenevät.
- **Käännä lihoja mahdollisimman vähän,** yksi kerta riittää. Kun ruoka saa olla rauhassa tarpeeksi kauan grillausparilalla / -ritilällä, pintaan muodostuu kaunis ruskistunut pinta.
- **Lämpömittari avuksi!** Liian pitkä grillausaika kuivattaa ruuan ja pilaa makunautinnon. Parhaaseen tulokseen pääset, kun hankit avuksesi lihalämpömittarin.
- **Anna lihan vetäytyä 10–20 minuuttia** ennen lihan leikkaamista / ruokailua. Lihan vetäytyessä lämpötila tasaantuu ja lihasnestettä ei irtoa niin paljon leikatessa.

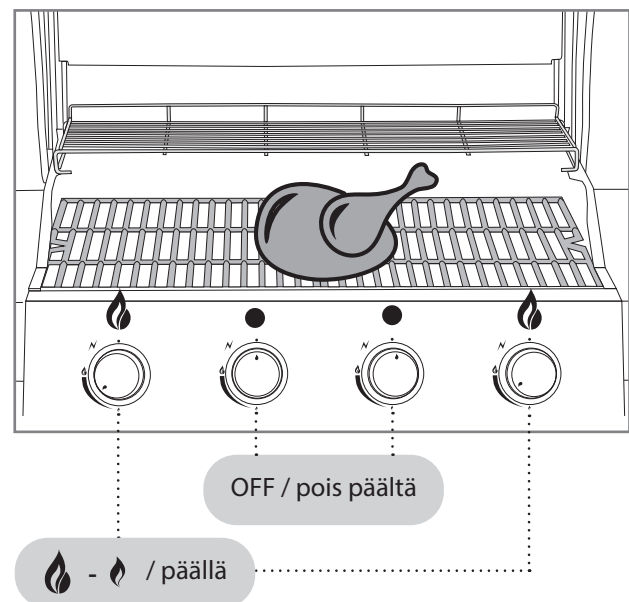
## Suora ja epäsuora grillaaminen

Monipolttimisissa kaasugrilleissa pystyt hyödyntämään suoran ja epäsuoran grillauksen. Suoralla grillauksella grillataan yleisesti ottaen pienemmät ja pehmeämmät ruuat. Epäsuoralla grillauksella taas isot ja pitempiä aikoja vaativat ruuat, kuten kokonaiset paistit, broilerit ja kalat. Epäsuoraa grillausta hyödynnetään myös kypsentämään suoralla grillauksella ruskistetut lihapalat. Katso alta, miten voit grillata suoralla ja epäsuoralla lämmöllä.

### Suoran grillaamisen asetukset



### Epäsuoran grillaamisen asetukset

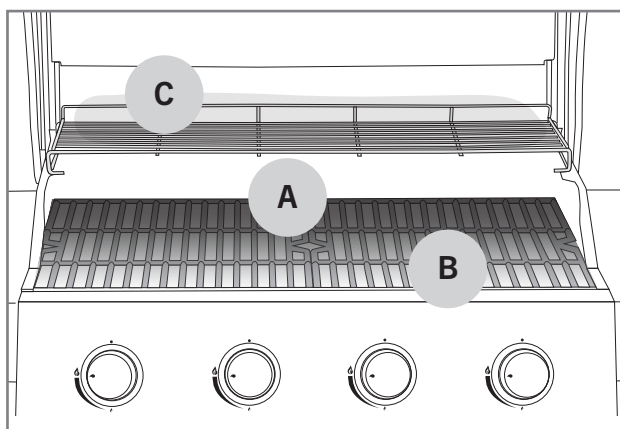


## Paistopinta-alan lämpöalueet

Perinteiset, yleisimmät kaasupolttimet (putki- / laat-  
tapolttimet) aiheuttavat epätasaisen paistopinta-alan  
lämpötilan. Tämä kannattaa ottaa huomioon ennem-  
min ominaisuutena kuin ongelmana. Pääsääntönä voi  
pitää, että grillausalan takaosa (A) on kuumempi, kuin  
sen etuala (B). Etualan viileä alue johtuu ns. venturi-  
putkesta, joka kiinnittyy polttimeen. Siinä kaasu ja ilma  
sekoittuvat palamiseen soveltuvaksi seokseksi. Liekki ei  
pala venturiputkessa.

Mustangilta löytyy myös kaasugrillimalleja, joiden  
paistopinta-ala on tasaisempi koko grillausosalta. Näissä  
grilleissa on hyödynnetty U-polttimia tai erillispolttimia,  
joiden venturiputkirakenne on tehty normaalista poike-  
ten polttimen keskelle. Näillä ratkaisulla on saatu liekki  
palamaan myös polttimen etuosassa.

Grillin takaosan lämmitysritilä (C) on viileämpi, joten  
siellä voi pitää ruokia lämpimässä tai paistaa niitä hi-  
taasti epäsuoralla lämmöllä.



## Marinadit

Marinadien käyttö on hyvin yleistä grillauksessa ja nii-  
den tehtävä on maustaa grilliruoka halutun makuseksi.  
Marinadit aiheuttavat kuitenkin myös ruuan palamista  
kiinni ritilöihin ja pariloihin. Samoin öljyiset marinadit  
voivat valua polttimien päälle ja aiheuttavat tarpee-  
tonta liekin leimahtelua tai jopa rasvapalon. Näillä  
muutamalla vinkillä pienennät marinadeista aiheutuvia  
ongelmia:

1. Pyri pyyhkimään ylimääräinen marinadi pois  
ruuista ennen grilliin laittoa.
2. Jos lisäät marinadia grillauksen aikana, käytä  
aina grillisutia. Marinadia ei saa kaataa suoraan  
pullosta ruuan päälle.
3. Hyödynnä grillauksen aikana mieluummin kuiva-  
marinadeja.

**i** Älä käytä raaka marinoinnista jäänyttä ma-  
rinadia valmiiden ruokien marinoimiseen.  
Koska tällöin raakan lihan bakteerit siirtyvät  
valmiiseen ruokaan.

## Ruuan tarttumisen välttäminen

Ruuan tarttuminen grilliritilään / -parilaan on hyvin  
tuttu ilmiö grillaajille. Tässä muutama vinkki, joilla voit  
välttää ylimääräisen tarttumisen:

1. Muista esilämmittää grilli riittävän kuumaksi.
2. Puhdista grillausritilät ja -parilat ennen ruokien  
lisäämistä grilliin.
3. Sivele grillausala ja grillattava ruoka öljyllä ennen  
grilliin laittoa.
4. Älä käännä grillattavia ruokia liian nopeasti, an-  
nan niiden paistopinnan valmistua kunnolla.



## Grillausopas lämpötiloihin

Alla listattuna ohjeelliset grillausajat ja lämpötilat useimmille raaka-aineille. Tuuli, vesisade, ulkoilman lämpötila ja grillin puhtaus voivat vaikuttaa grillausaikaan.



### Nauta

Ainesosa	Paksuus / paino	Grillausmenetelmä	Grillausaika
Sisä- / ulkofileepihvi	n. 2 cm	Suora korkea lämpö	2,5 – 3,5 min / puoli
Sisä- / ulkofileepihvi	n. 5 cm	Suora korkea lämpö Epäsuora keskilämpö	2,5 min / puoli 8 – 10 min
Kokonainen sisäfilee	n. 1,5 kg	Suora korkea lämpö Epäsuora keskilämpö	3 min / puoli 20 – 30 min
Paisti	n. 1,5 kg	Suora keskilämpö Epäsuora keskilämpö	3 – 4 min / puoli 30 – 40 min
Hampurilaispihvi	n. 2 cm	Suora korkea lämpö	2 – 3 min / puoli
Sisälämpötila			
Raaka – melkein raaka		47 – 51 °C	
Medium		52 – 58 °C	
Melkein kypsä - kypsä		59 – 66 °C	



### Porsas

Ainesosa	Paksuus / paino	Grillausmenetelmä	Grillausaika
Fileepihvi, kyljys	n. 2 cm	Suora korkea lämpö	2 – 2,5 min / puoli
Sisäfilee	n. 600 g	Suora korkea lämpö Epäsuora keskilämpö	3 min / puoli 20 – 30 min
Grillikylki / ribs	n. 1,5 kg	Epäsuora keskilämpö Suora korkea lämpö	60 – 90 min 4 min / puoli
Kasslerpihvi	n. 3 cm	Suora keskilämpö Epäsuora keskilämpö	2,5 – 3 min / puoli 15 – 20 min
Raaka-makkara	n. 400 g	Suora matala lämpö	2 – 3 min / puoli
Sisälämpötila			
Kypsä filee		65 – 70 °C	
Kypsä muut ainesosat		65 – 70 °C	





## Kana ja kalkkuna

FI

Ainesosa	Paksuus / paino	Grillausmenetelmä	Grillausaika
Rintafilee	n. 200 g	Suora keskilämpö	5 – 6 min / puoli
Koipireisi	n. 120 g	Suora keskilämpö	5 – 6 min / puoli
Wingsit	n. 500 g	Suora keskilämpö Epäsuora keskilämpö	6 – 10 min 30 – 40 min
Kokonainen broileri	n. 900 g	Epäsuora keskilämpö	60 – 75 min
Sisälämpötila			
Kypsä		75 °C	



## Kala

Ainesosa	Paksuus / paino	Grillausmenetelmä	Grillausaika
Ohut filee	n. 200 g	Suora keskilämpö	2 – 3 min / puoli
Paksu filee	n. 120 g	Suora keskilämpö	5 – 6 min / puoli
Kokonainen kala	n. 500 g	Epäsuora keskilämpö	20 – 30 min
Sisälämpötila			
Rosee		45 – 50 °C	
Täysin kypsä		55 – 60 °C	



## Vihannekset


Ainesosa	Paksuus / paino	Grillausmenetelmä	Grillausaika
Kypsä maissi		Suora keskilämpö	6 min
Tomaatti		Suora keskilämpö	6 min / puoli
Parsa		Suora keskilämpö	3 – 5 min
Perunaviipaleet		Suora keskilämpö Epäsuora keskilämpö	5 – 8 min 10 – 15 min
Raaka peruna		Epäsuora keskilämpö	45 – 60 min


# Grillin puhdistus ja varastointi

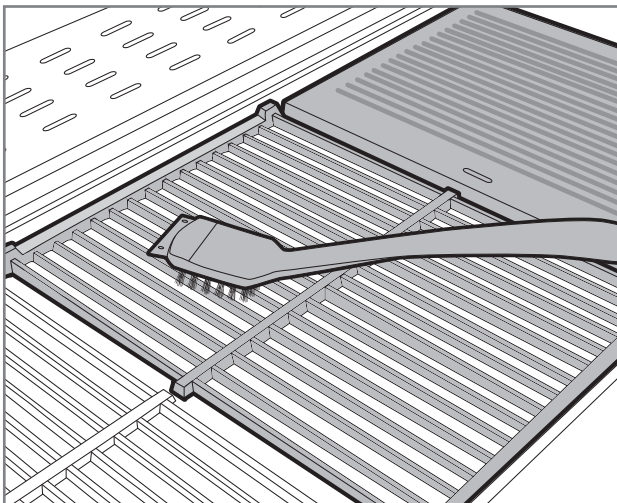
Grillin käyttöikä pitenee huomattavasti, kun huolehdit grillin puhdistuksesta ja huolloista säännöllisesti. Jos grilli ei kuumene tarpeeksi tai ruoka jää helposti kiinni pariloihin, niin grilliä ei ole puhdistettu tai huollettu ohjeiden mukaisesti. Tee seuraavat puhdistustoimenpiteet jokaisen käyttökerran jälkeen.

## Grillausritilät ja -parilat

Jos grillausritilöihin / -pariloihin on jäänyt ruokaa tai marinadeja kiinni niin toimi seuraavalla tavalla:

1. Varmista että grilli on sammutettu.
2. Poista irtoruoka ja rasva pois pinnoilta esim. talouspaperilla.
3. Sytytä grilli ohjeiden mukaan ja säädä polttimet -teholle.
4. Sulje kansi ja anna grillin kuumentua 5–10 minuuttia.
5. Sammuta grilli ja avaa kansi.
6. Anna grillin jäähtyä noin 10 minuuttia.
7. Harjaa palanut ruoka ja lika pois grilleihin tarkoitettulla puhdistusharjalla (A).
8. Öljyä puhdistetut grillausritilät ja -parilat ruokaöljyllä esim. talouspaperilla tai grillisudilla.


 **Älä käytä puhdistukseen hitsauskäyttöön tarkoitettua teräsharjaa, se voi rikkoa grillin pinnat. Tällaisen teräsharjan aiheuttamat vahingot eivät kuulu takuun piiriin.**



## Rasvapelti ja -kuppi

Yleisimmin rasvapalojen syy on likainen rasvapelti. Mikäli rasvapellillä tai -kupissa näkyy ruuan paloja tai marinadeja, rasvapelti on heti puhdistettava seuraavalla tavalla. Rasvapellille ei saa jäädä rasvalammikoita.

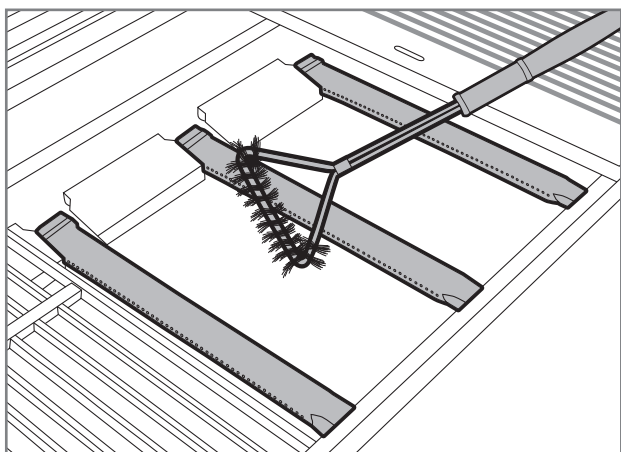
1. Varmista että grilli on sammutettu.
2. Poista rasvapelti / -kuppi grillistä.
3. Kaavi irtoruoka ja rasva pois hyödyntämällä grillin puhdistusharjan kaavinosa tai muovilastaa.
4. Pese rasvapelti / -kuppi miedolla astianpesuaineella.
5. Kuivaa ja aseta puhdistettu rasvapelti / -kuppi takaisin grilliin.

 **Voit helpottaa puhdistusta käyttämällä rasvapellin päällä foliota, joka kerää ylimääräisen ruuan ja rasvan. Puhdistessa poistat vain likaisen folion.**

## Polttimet

Grillin polttimet ovat grillin toiminnan ja kuumenemisen kannalta tärkeimmät, joten niiden puhtaus ja kunto on tarkistettava säännöllisesti. Polttimet ovat irrotettava ja tarkistettava vähintään kaksi kertaa vuodessa, varsinkin keväällä talvisäilytyksen jälkeen, tai muun pitkän säilytyksen jälkeen. Polttimien pienet reiät houkuttelevat hyönteisiä ja hämähäkkejä tekemään pesiä polttimiin. Nämä tukokset aiheuttavat epätasaisen ja epäpuhtaan liekin. Tukokset voivat aiheuttaa liekin palamisen kaasuputken ulkopuolella, joka taas vahingoittaa vakavasti grilliä. Polttimien puhdistus tapahtuu seuraavasti:

1. Varmista että grilli on sammutettu.
2. Poista grillausritilät / -parilat ja lämmönjakolevyt.
3. Irrota poltin pois tulilaatikosta avaamalla kiinnitysruuvi. Kiinnitysruuvi sijaitsee normaalisti polttimien peräpäädyssä.
4. Muutamissa grillimalleissa polttimien irrottaminen vaatii grillin takalevyt poistamista.
5. Osasta grillimalleja, puhdistus onnistuu helposti myös polttimien ollessa paikoillaan. Tärkeintä on päästä käsiksi kaikkiin pieniin kaasureikiin.
6. Käytä polttimien pintojen puhdistukseen grillien messinkistä puhdistusharjaa.
7. Varmista että polttimien reiät ovat avoinna ja puhtaat. Apuna voit käyttää esim. ohutta rautalankaa.
8. Jos poltin on vahingoittunut ja tai pahasti ruostunut, vaihda se uuteen välittömästi.
9. Tarkista samalla, että venttiilin suutin on puhtas ja ehjä.
10. Asenna puhdistetut polttimet takaisin.

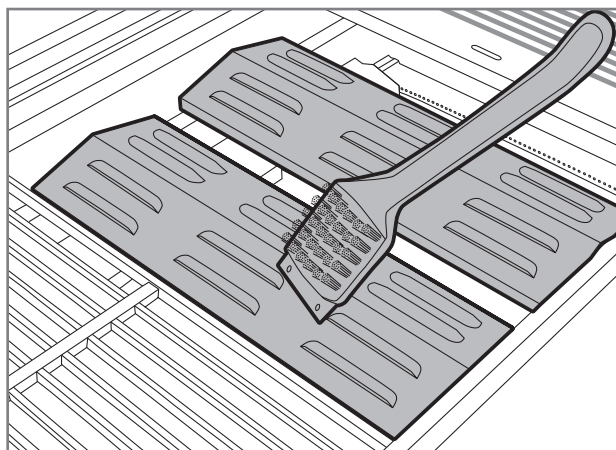


## Lämmönjakolevyt

Lämmönjakolevyt levittävät lämmön tasaisesti grillausalalle. Lämmönjakolevyjen pintaan keräytyy myös ruuan jämiä ja marinadeja. Likaiset lämmönjakolevyt heikentävät grillin tehoa. Puhdista lämmönjakolevyt seuraavalla tavalla:

1. Varmista että grilli on sammutettu.
2. Poista lämmönjakolevyt grillistä.
3. Kaavi lämmönjakolevyjen pinnasta ylimääräinen ruoka pois puhdistusharjan kaavinosalla tai muovilastalla.
4. Harjaa lopuksi loput liat pois grillaukseen tarkoitettulla messinkisellä puhdistusharjalla.
5. Voit myös halutessasi pestä lämmönjakolevyt tiskialtaassa miedolla astianpesuaineella.
6. Kuivaa ja aseta puhdistetut lämmönjakolevyt takaisin grilliin.

**i** Älä pese lämmönjakolevyjä astianpesukoneessa.





## Muut grillin osat

Grillissä on edellä mainittujen osien lisäksi paljon muita teräsosia, jotka täytyy myös puhdistaa säännöllisesti. Näihin osiin voi hyödyntää seuraavia yleisohjeita:

1. Puhdista grillin teräsosat Mustang grillin puhdistusnesteellä, Mustang rosterin puhdistusnesteellä tai miedolla astianpesuaineella ja puhdistusliinalla.
2. Muista kuivata puhdistetut osat huolellisesti.
3. Ohjauspaneelit ja varoitustekstipintojen puhdistukseen ei saa käyttää pesuaineita, koska ne voi irrottaa tekstit tai muut turvamerkinnät.
4. Puhdista kaikki grillin ulkopinnat vähintään kolme kertaa vuodessa, jotta lika ei pääse pintymään pintoihin.
5. Testaa aina uuden puhdistusaineen soveltuvuutta huomaamattomaan kohtaan.

**i** **Kloori ja suola saattavat aiheuttaa grillin ruostumista. Joten jos grillin käyttöpaikka on meren tai uima-altaan välittömässä läheisyydessä, on grillin puhdistus tehtävä viikoittain.**

## Puuosien puhdistus

Jos grillissä on puuosia, ne tulee puhdistaa ja huoltaa seuraavalla tavalla:

1. Puhdista kaikki puuosat säännöllisesti pyyhkimällä ne kostealla liinalla sekä miedolla saippuavesiseoksella.
2. Kuivaa puhdistetut pinnat huolellisesti.
3. Käsittele puuosat yleisesti kaupoissa myytävällä, ulkokalusteille tarkoitettulla, värittömällä puuöljyllä vähintään kaksi kertaa vuodessa. Käsitteilyllä ehkäistään puuosien kuivuminen ja halkeilu.
4. Ennen varsinaista käyttöä kokeile puuöljyä ja muita hoitoaineita ensin pienelle alueelle huomaamattomaan paikkaan varmistaaksesi niiden soveltuvuus. Noudata aina aineiden valmistajan ohjeita puuosien käsittelyssä.

## Varastointi

Katso nämä ohjeet, kun pidät pidemmän tauon grillauksessa tai haluat varastoida grillin esim. talvikaudeksi. Oikein varastoitu grilli pidentää käyttöikä ja pitää grillin toimintakunnossa vuodesta toiseen. Varastoidessa grillisi, toimi seuraavien ohjeiden mukaan:

1. Puhdista grilli täydellisesti käyttöoppaan ohjeiden mukaan.
2. Sytytä grilli ja anna lämmitä noin 15 minuuttia, jolloin kaikki teräsosat ovat kuivuneet.
3. Anna grillin jäähtyä.
4. Varmista, että kaikki grillausritilät / -parilat ovat öljytyt.
5. Jos grilli varastoidaan ulkona, irrota grillistä polttimet, ritilät, parilat, lämmitysritilä ja lämmönjakolevyt. Nämä osat täytyy varastoida kuivassa ja lämpimässä tilassa. Nämä osat on syytä kääriä yksittäin esim. sanomalehteen, jotta osat eivät naarmuta pintoja.
6. Irrota matalapainesäädin kaasupullosta.
7. Säilytä kaasupulloa aina ulkona ja varmista, että kaasupullo ei pääse altistumaan kuumuudelle tai auringonpaisteelle.
8. Ulkona säilyttäessä grillin päälle kannattaa hankkia laadukas suojapeite, joka peittää grillin alas saakka. Muista varmistaa, että ilma pääsee kiertämään myös peitteen alla.

**i** **Älä säilytä grilliä niin että katolta tippuva lumi pääsee tipahtamaan grillin päälle. Lumen ja jään aiheuttamat vahingot eivät kuulu takuun piiriin.**

# Vianmääritys

FI

Kaikissa grilleissä voi tulla toimintahäiriöitä. Nämä häiriöt ovat yleensä helposti korjattavissa. Mikäli et löydä vastausta ongelmaasi alta löytyvästä kaaviosta, ole yhteydessä myyjäliikkeeseen.

Vika	Mahdollinen syy	Ratkaisu
Kaasua ei virtaa	Matalapainesäädin on kiinni	Avaa kaasuntulo paineensäätimen säätimestä
	Matalapainesäädin ei ole kunnolla kiinni kaasupullossa	Irrota matalapainesäädin ja laita se uudelleen huolellisesti kiinni
	Kaasuletku tai paineensäädin on viallinen	Vaihda kaasuletku tai paineensäädin ja tee vuototesti
Poltin ei syty paristotoimisella piezolla	Paristo on loppunut tai sitä ei ole asennettu	Vaihda paristo
	Sytyttimen johdot ovat irronneet tai ne on kytketty väärin	Tarkista liitännät ja kytke johdot uudestaan
	Sytytin on viallinen	Vaihda sytytin
Poltin ei syty tulitikulla tai sytyttimellä	Polttimen reiät ovat tukossa	Puhdista polttimet ohjeiden mukaan
	Polttimet eivät ole kunnolla kiinni venttiileissä	Tarkista polttimien asennus ja kunto
Grilli ei lämpene kunnolla	Polttimien ilmanotto on estynyt	Tarkista ja puhdista polttimet
	Kaasua on liian vähän	Vaihda kaasupullo uuteen
	Kaasuntulo on estynyt	Tarkista että kaasuletku on ehjä ja ei ole mutkalla
Liekki on epätasainen tai palaa täysin keltaisena tai savuttaa	Polttimet eivät saa tarpeeksi ilmaa	Puhdista polttimet ohjeiden mukaan
	Polttimien pinnassa on jämähtänyttä ruokaa, suolaa tai marinadeja	Puhdista polttimet ohjeiden mukaan
Runsaasti liekin leimahtelua tai liian korkea lämpötila	Liian paljon rasvaa ja marinadeja ruuan pinnassa	Pyyhi ylimääräinen rasva pois
	Lämmönjakolevyt tai rasvapelti on liian likainen	Puhdista lämmönjakolevy tai rasvapelti ylimääräisestä ruuasta tai rasvasta
Liekki ei pysy päällä	Liian kova tuuli	Siirrä grilli tuulelta suojaan
	Kaasu on vähissä	Vaihda kaasupullo
Liekkejä näkyy polttimien ulkopuolella	Tukoksia polttimissa	Tarkista ja puhdista polttimet
	Kova tuuli	Siirrä grilli tuulelta suojaan
Paineensäädin surisee / humisee	Kuuma ulkolämpötila	Ei aiheuta toimenpiteitä. Ohimenevä tilanne
	Täysi kaasupullo	



# Takuu

Tällä Mustang kaasugrillillä on 10 vuoden valmistus- ja materiaalitakuu. Tarkista ajantasaiset takuehdot verkkosivuiltamme

**[mustang-grill.com](http://mustang-grill.com)**

Kaikkien takuuasioiden hoitoon tarvitset ostokuitin, josta ostopaikka ja ostopäivä pystytään toteamaan.

FI



# MUSTANG

SV

**Monterings- och bruksanvisning**

---





# Välkommen med till Mustangs grillvärld

**Vi tackar dig för att du har valt Mustang-grillen. Mustang vill fungera som din grillkompis och säkra att du får livets grillupplevelse. Mustang uppstod ur önskan av att njuta av avkopplande matlagning tillsammans med familj eller vänner och vi vill erbjuda dig samma tanke.**

Mustang-grillar och tillbehör har planerats och fulländats med omsorg så att vi kan vara stolta över dem. Vår långa erfarenhet och expertis syns i våra produkterna och de har alla väsentliga funktioner och egenskaper. Vi är säkra att den här grillen glädjer dig länge, så länge du kommer ihåg att underhålla och rena grillen i enlighet med anvisningar i den här bruksanvisningen.

## Det bredaste grillningssortimentet

Mustang är ett varumärke som ägs av finska Tammer Brands Oy. Mustang erbjuder all utrustning, tillbehör och reservdelar som behövs i grillning samt ett brett sortiment av produkter för rökning, och lagning av pizza. Vi känner grillkulturen utan och innan så att vi kan försäkra att vi erbjuder dig de rätta och mest moderna produkterna. Mustang är alltså det enda varumärket som du behöver för att lyckas i grillning.

## Kundtjänst

Tammer Brands Oy,  
tfn + 358 3 252 1111  
Viinikankatu 36,  
33800 Tammerfors, FINLAND

[mustang-grill.com](http://mustang-grill.com)

**TAMMER**  
BRANDS | EST 1954

SV



**Läs bruksanvisningarna innan du använder grillen och förvara dem för kommande behov.**

Följ oss i de sociala medierna



**mustanggrill**

# Innehållsförteckning

<b>Monteringsanvisningarna</b> .....	3
Innan montering .....	5
<b>Säkerhetsanvisningar och varningar</b> .....	58
Att placera grillen .....	58
Säkerhetsanvisningar för gas .....	58
Allmänna säkerhetsanvisningar .....	59
<b>Anslutning av gasen till grillen</b> .....	60
Information om gasol .....	60
Att installera gasslangen .....	60
Att installera lågtrycksreglaget .....	61
Att utföra läckagetestet .....	61
<b>Användning av grillen</b> .....	62
Åtgärder innan den första användningen .....	62
Åtgärder före varje användning .....	62
Att tända brännare med piezo-tändning .....	63
Att tända brännarna med en tändsticka eller en tändare med långt skaft .....	63
Att tända brännaren i sidokokaren .....	63
Att stänga av brännaren .....	64
Kontrollernas läge .....	64
Att kontrollera lågor .....	64
Lågorna drar .....	64
Lågorna flammar upp .....	64



<b>Nyttiga tips</b> .....	65
Allmänna tips för grillning .....	65
Att grilla på direkt och indirekt värme .....	65
Inställningar för grillning på direkt värme .....	65
Inställningar för grillning på indirekt värme .....	65
Stekytans värmezoner .....	66
Marinader .....	66
Att förhindra maten att fastna .....	66
Grillningsguide om temperaturer .....	67
<b>Rengöring och förvaring av grillen</b> .....	69
Grillgallrar och -halstrar .....	69
Fettplåt och -behållare .....	69
Brännare .....	70
Värmespridarplattor .....	70
Övriga delar i grillen .....	71
Rengöring av trädelar .....	71
Förvaring .....	71
<b>Felsökning</b> .....	72
<b>Garanti</b> .....	73


SV

## Säkerhetsanvisningar och varningar

När du använder grillen är du skyldig att noggrant läsa och observera varningar och säkerhetsanvisningar i den här bruksanvisningen innan du använder grillen. Den här grillen är CE-märkt i enlighet med de existerande bestämmelserna.


Teckenförklaring:  VARNING!  OBS!

### Att placera grillen

 Grillen är avsedd endast för användning utomhus och får aldrig användas inomhus eller i slutna utrymmen. Se avsnitt som ska observeras nedan.

- Använd grillen endast utomhus.
- Använd inte grillen mot en vägg, i garaget, i en husbil eller husvagn, i ett annat slutet utrymme eller inomhus.
- Säkerställ att det finns minst en meter av ledigt utrymme åt varje håll omkring och ovanför grillen.
- Säkerställ att det finns en släckningsfilt / släckare samt en Första hjälpen-förpackning i närheten av grillen.
- Grillen får inte placeras på eller i närheten av ett ömtåligt underlag eftersom fett och marinader kan stänka eller rinna vid normal användning.
- Säkerställ att både grillen och gasflaskan är placerade på en horisontell yta.

### Säkerhetsanvisningar för gas

 Endast sådana underhållstjänsteleverantörer som har en ackreditering för underhåll av gasolapparater får underhålla och justera grillens huvudventiler, munstycken samt gasventiler. Se avsnitt som ska observeras nedan.

- Stäng gasmatningen alltid efter användningen samt lösgör lågtrycksreglage från flaskan.
- Hantera gasolbehållare varsamt, fäll eller låt den inte stöta på något. Gasolbehållaren får aldrig förvaras på en plats där temperaturen överstiger +50 °C.
- Kontrollera gasslangens skick alltid före användning.
- Utför regelbundet ett läckagetest enligt anvisningar. Läckagetestet ska utföras i synnerhet alltid när grillen har varit ur bruk i en lång tid eller när du har bytt gasflaskan, tryckregulatorn eller slangen.
- Om du känner en stark gaslukt, stäng gasmatningen omedelbart och ställ alla kontroller i OFF-läge. Efter det öppna grillens lock och utför läckagetest och reparera anslutningarna. Om du inte hittar ett fel, kontakta underhållstjänsteleverantören eller försäljarbutiken.
- Testa aldrig gasläckage med öppen eld.
- Ta inte gasslangen eller lågtrycksreglage loss när grillen används.



## Allmänna säkerhetsanvisningar



**Att använda grillen för något annat än det som den är avsedd för kan leda till farliga situationer och även småändringar i grillens konstruktion är helt förbjudna. Se avsnitt som ska observeras nedan.**

- Följ monteringsanvisningarna noggrant och observera att man inte får underlåta att fästa delarna. Om man inte följer monteringsanvisningarna eller inte fäster alla delar kan det uppstå problem i användningen. Användaren ansvarar för grillens lämpliga montering.
- Läs bruksanvisningarna innan du använder grillen och förvara dem för kommande behov.
- Grillen blir het under användningen så att var extra uppmärksam om det finns barn, äldre personer eller husdjur i närheten.
- Grillen ska aldrig placeras i omedelbar närhet av lättantändliga material, vätskor eller gasflaskor som inte är anslutna till grillen.
- Luta dig aldrig över grillen då du tänder den.
- Lämna inte grillen utan uppsikt när den används.
- Flytta inte grillen när den används.
- Kom ihåg att använda värmetåliga grillhandskar när du använder grillen.
- Se till att grillens botten, stålbrännare, värmefördelningsplattor och brännare är rena från fett och marinader.
- Använd aldrig grillen om den inte fungerar korrekt.
- Låt inte barnen att använda grillen.
- Alkohol, reseptbelagda läkemedel och rusmedel av alla slag kan påverka användarens förmåga att använda grillen på ett tryggt och regelrätt sätt.

SV

# Anslutning av gasen till grillen

## Information om gasol

SV

Innan du kan ta grillen i bruk ska du skaffa en gasolflaska, en lågtrycksreglage samt en gasslang. **Dessa delar ingår inte i leveransen.**

Gasol är en väldigt lättantändlig petroleumbaserad ingrediens som förvaras komprimerad i en gasolflaska. Gasolflaskor finns i storlekar mellan 5 kg - 11 kg. Kontrollera att flaskan som du har köpt inte är trasig eller rostig och att flaskans ventil inte är skadad. Transportera gasolflaskan alltid upprätt och se till att den sitter fast ordentligt. Gasolflaskan i hushållsbruk får vara högst 615 mm hög och har en diameter på 310 mm.

Gasen leds från flaskan till grillen med hjälp av lågtrycksreglage och en slang. Tack vare lågtrycksreglagen strömmar gasen jämnt till grillen.

**!** Tryckregulatorn som ansluts till flaskan får inte vara justerbar och användningstrycket i regulatorn måste vara 30 mbar.

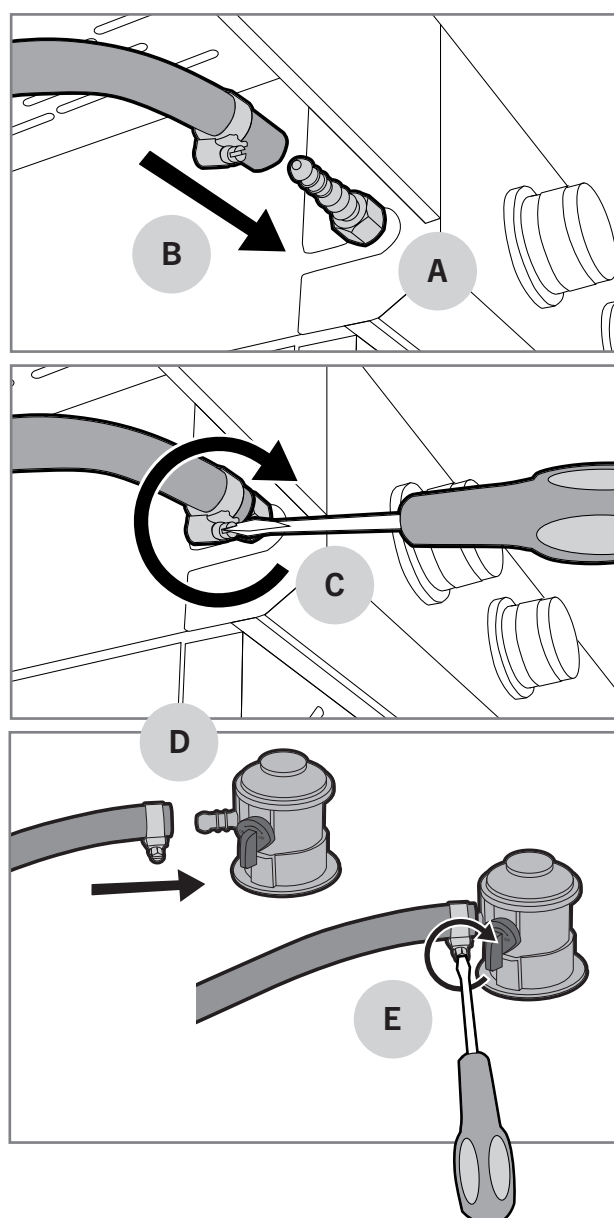
**!** Gasslangens längd får vara högst 1,2 meter och slangen ska vara högst 10 mm i omkrets (Obs. Högst 8 mm i Sverige).

**i** Tryckreglaget ska vara tillverkad i enlighet med standarden EN16129. I tryckreglaget är användningstrycket utmärkt i enlighet med normaltrycket 29 mbar.

**i** Gasslangen ska vara tillverkad i enlighet med standarden EN16436.

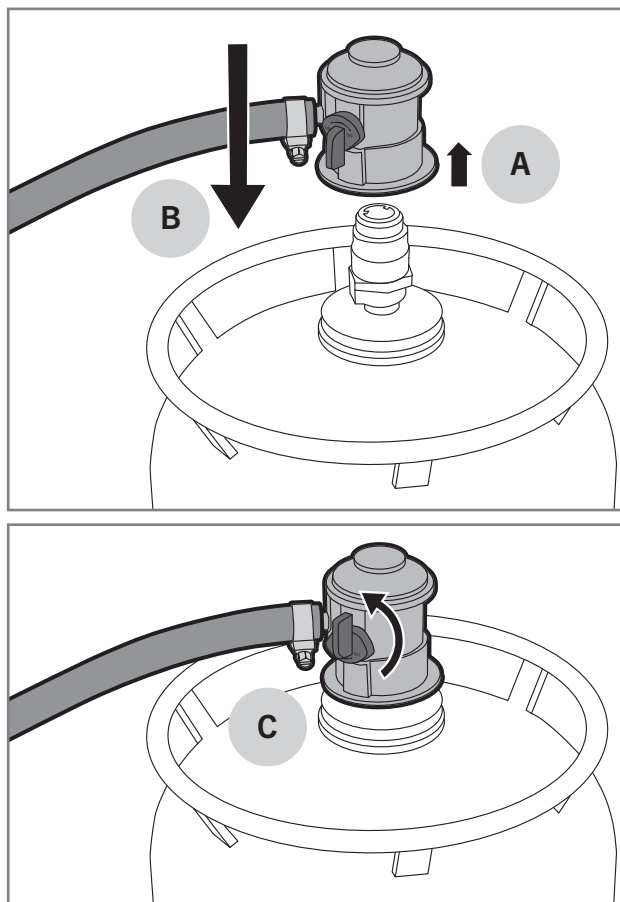
## Att installera gasslangen

1. Kontrollera gasslangens skick.
2. Säkerställ att alla grillens regleringsknappar är i OFF-läge.
3. Säkerställ att grillens slangnippel är ordentligt fast (A).
4. Tryck gasslangen till slangnippeln så långt och tätt som möjligt (B).
5. Spänn slangen fast i grillens slangnippel med en slangklämma (C).
6. Tryck gasslangens andra ända i slangnippeln i lågtrycksreglaget (D).
7. Spänn slangen fast i lågtrycksreglets slangnippel med en slangklämma (E).



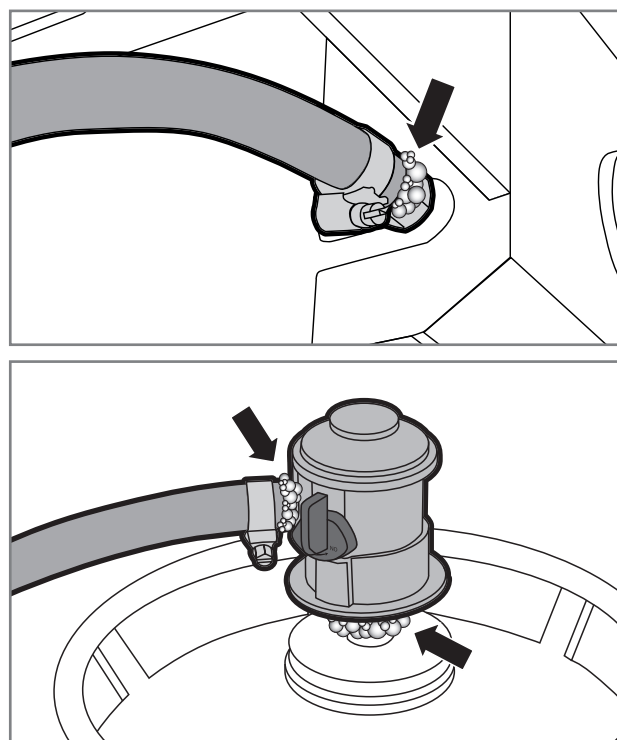
## Att installera lågtrycksreglaget

1. Kontrollera lågtrycksreglagets skick.
2. Fäst lågtrycksreglaget till flaskan genom att dra låsringen uppåt (A) och samtidigt att trycka på reglaget in i gasflaskan (B).
3. Kontrollera att den håller genom att dra reglaget kraftigt uppåt.
4. Öppna gasmatningen långsamt med reglaget så att trycket jämnar ut (C).



4. Kontrollera noggrant om någonstans bildas bubblor. Bubblorna visar gasläckagen.
5. Om bubblor bildas, bryt gasmatningen omedelbart och spänn anslutningar där där bubblor bildas.
6. Om bubblor bildas i mitten av slangen eller i gasolflaskan byt delen.
7. Öppna gasmatningen och gör läckagetestet på nytt.
8. Skölj tvållösningen bort med rent vatten för att förebygga rostbildning.

**!** Använd inte grillen om du inte kan reparera gasläckagen. I så fall lossa tryckreglaget från gasflaskan och kontakta underhållstjänstleverantören/ försäljarbutiken.



## Att utföra läckagetestet

Läckagetestet måste utföras alltid när en ny gasolflaska, tryckregulator eller gasslang byts. Testet ska göras även regelbundet årligen och särskilt efter längre förvaringsperioder. Utför läckagetestet enligt anvisningarna nedan:

1. Öppna grillens lock och säkerställ att varje brännarens kontroll är i OFF-läge.
2. Öppna lågtrycksreglaget.
3. Vät alla ventiler, slanganslutningar, reglagets fästningar, gasflaskans anslutningar och svetsfogar med tvållösning (30 % diskmedel eller flytande tvål och 70 % vatten). Vätningen kan göras antingen genom att borsta eller med en sprayflaska.





# Användning av grillen

SV

## Åtgärder innan den första användningen

Efter läckagetestet måste man bränna bort fabriken lagerfett innan grillen är redo att användas. Lagerfettet bränns enligt anvisningarna nedan:

1. Öppna grillens lock och tänd alla brännare enligt anvisningarna.
2. Ställ brännarna i -effekt och låt dem brinna i 5 minuter med öppet lock.
3. Stäng locket och låt brännarna brinna ännu 10 minuter i -effekt.
4. Vrid brännarna i OFF-läge och stäng gasinmatning.
5. Låt grillen svalna i 15 minuter.
6. Rengör grillens halster och galler med rengöringsborste.
7. Olja grillens halster och galler med matolja.

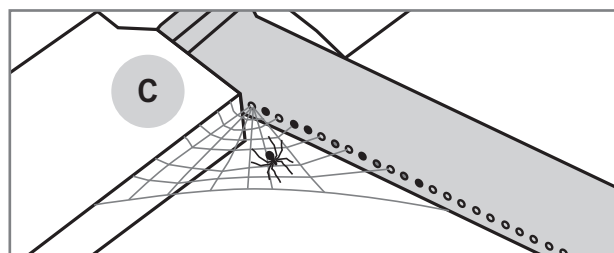
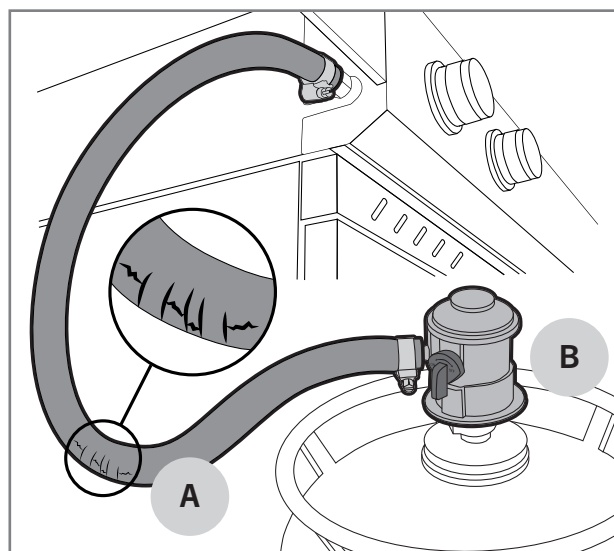
**i** När lagerfett bränns bort kan grillen avge obehaglig rök. Det är normalt och röken försvinner när lagerfettet har förbränts.

## Åtgärder före varje användning

En trygg och regelrätt användning av grillen förutsätter några kontroller före varje användning. Gå noggrant igenom kontrollistan som finns nedan:

1. Säkerställ att grillen är rätt placerad och att det inte finns lättantändliga material eller lösningar i närheten av den.
2. Kontrollera att det inte finns sprickor eller revor i gasslangen (A).
3. Kontrollera att lågtrycksregulatorn är ordentligt fast (B).
4. Kontrollera att grillens botten, fettplåt, värmedelningsplattor och brännare är rena från fett och marinader. På så sätt förhindrar du uppkomst av fettbränder.
5. Kontrollera att brännarens hål inte är täckta av insektbon eller spindelväv (C).
6. Kontrollera att borst från grillborstar inte har fastnat i grillgaller eller -halstrar.

**!** Använd inte grillen om gasslangen har skador eller delar fattas.



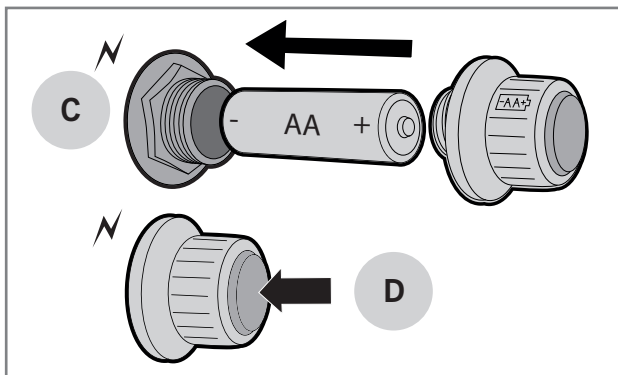
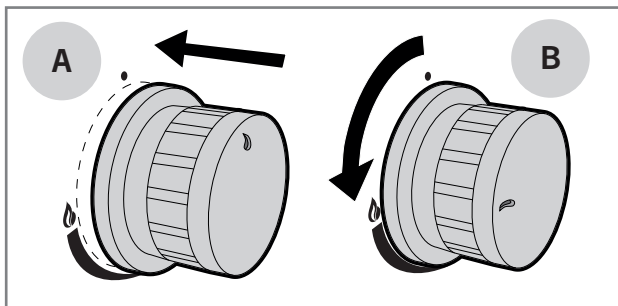


## Att tända brännare med piezo-tändning

I huvudsak tänds brännarna antingen med piezo-tändning som är integrerad i kontrollknappen eller batteridrivnen piezo. Varje brännare har sin egen kontrollknapp. Tändning utförs med kontrollknappen med blixtnöj figur. Tänd brännaren enligt följande anvisningar:

1. Öppna grillens lock.
2. Öppna gasinmatning med lågtrycksreglage.
3. Tryck brännarens kontrollknapp i botten (A) och sväng den till -läget (B). Piezo-tändning som är integrerad i kontrollknappen tänder brännaren.
4. Om det finns en batteridrivnen piezo (C) i grillen, kontrollera att batterier är i sin plats och har installerats åt rätt håll. Tryck piezo-knappen i botten (D) tills grillens brännare tänds.
5. Justera brännarens låga till lämplig effekt på skalan mellan och .
6. När den första brännaren har tänts kan man tända resten av brännarna i ordning genom att vrida på reglerknappen motsols till -effekt.
7. Justera brännarnas lågor till lämplig effekt mellan och .

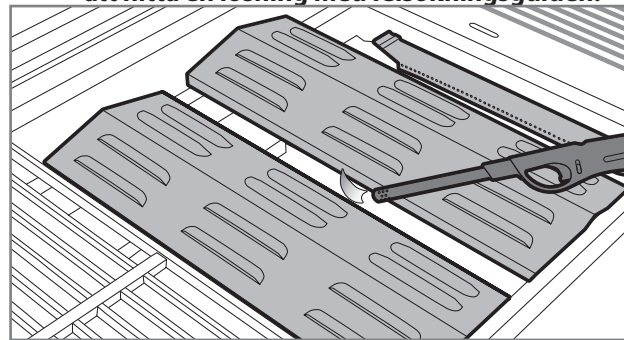
**i** Om brännaren inte tänds vrid på reglerknappen i OFF-läge och vänta i fem minuter innan du försöker att tända den på nytt. Om du inte lyckas att tända brännaren med piezo-tändaren kan du försöka tända brännaren med en lång tändsticka eller en tändare med långt skaft.



## Att tända brännarna med en tändsticka eller en tändare med långt skaft

1. Öppna grillens lock.
2. Öppna gasinmatning med lågtrycksreglage.
3. Tänd en lång tändsticka eller tändare med långt skaft.
4. Tryck brännarens kontrollknapp och sväng den till -läget.
5. Ställ den långa tändstickan eller tändaren med långt skaft på cirka 1 cm avstånd från brännaren.
6. När den första brännaren har tänts kan man tända resten av brännarna i ordning genom att vrida på reglerknappen motsols på skalan mellan och .

**i** Om brännaren inte tänds inom fem sekunder vrid på reglerknappen i OFF-läge och försök att hitta en lösning med felsökningsguiden.



## Att tända brännaren i sidokokaren

1. Öppna locket på sidokokaren.
2. Tryck brännarens kontrollknapp och vrid den till -läget. Piezo-tändning som är integrerad i kontrollknappen tänder brännaren.
3. Om det finns en batteridrivnen piezo i grillen, tryck piezo-knappen i botten tills grillens brännare tänds.
4. Justera brännarens låga till lämplig effekt på skalan mellan och .

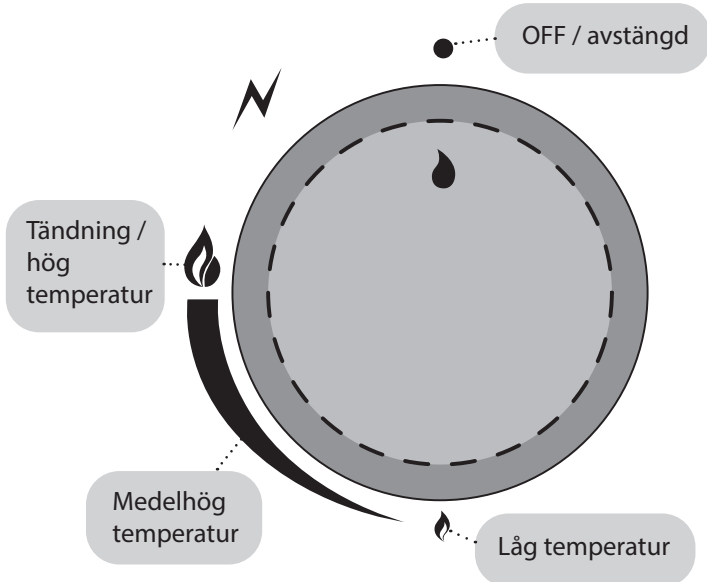
**i** Om brännaren inte tänds vrid på reglerknappen i OFF-läge och vänta i fem minuter innan du försöker att tända den på nytt. Om du inte lyckas att tända brännaren med piezo-tändaren kan du försöka tända brännaren med en lång tändsticka eller en tändare med långt skaft.

SV

## Att stänga av brännaren

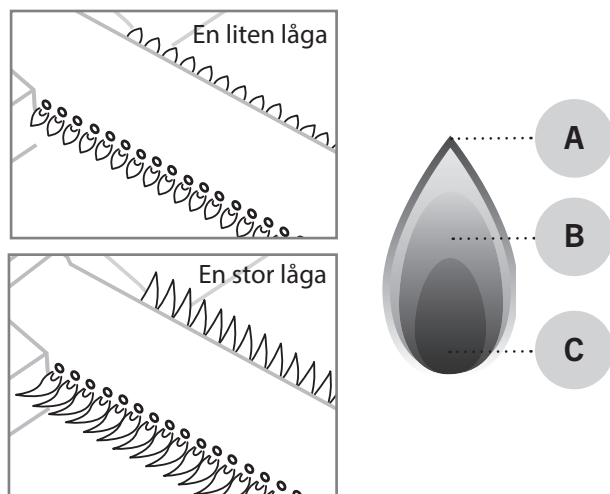
1. Stäng av gasinmatningen med lågtrycksreglage för att säkerställa att det inte finns gas kvar i grillen eller gasslangen.
2. Vrid kontrollknapparna i OFF-läget.
3. Stäng locket på grillen.
4. Lossa tryckregulatorn från gasflaskan.

## Kontrollernas läge



## Att kontrollera lågor

Kontrollera lågan alltid när du tänds grillen. Brännarna har färdigt justerats i fabriken på ett optimalt sätt men brännarens små hål lockar insekter att bygga bo och spindlar att väva nät i brännarna. När brännarna brinner ordentligt är endast lågornas spets ibland gula (A) och lågornas färg byter från ljus blå (B) till mörk blå (C) i nedåt riktning från spetsen.



**i** Om lågorna inte brinner ordentligt, kontrollera och rengör brännaren. Om brännaren är skadad måste den bytas till en ny innan grillen används.

## Lågorna drar

I blåsigt väder kan vinden trycka lågorna bort från brännarna till luftintagsöppningar då lågorna brinner under kontrollpanelen. Det kan skada kontrollpanelen, regleringsknapparna och grillens ventiler. Att lågorna drar kan det orsaka obestämd ljud. Om du hör ovanligt brus eller buller utför följande åtgärder:

1. Stäng av gasinmatning med lågtrycksreglage.
2. Vrid alla kontroller i OFF-läget.
3. Öppna grillens lock.
4. Lossa tryckregulatorn från gasflaskan.
5. Flytta grillen till en mer skyddad plats.

**i** Garantin täcker inte skador orsakade av att lågorna drar.

## Lågorna flammar upp

Det är vanligt att lågorna flammar upp lätt när gasgrillen används och det kan även öka smaken i maten. Om lågorna flammar upp mycket ökar det grillens inre temperatur och ökar mängden fett som rinner av maten. Vilket ökar risken för fettbränder. Därför strävar man efter att förebygga uppflammande med åtgärder som tas i förhand:

1. Ta överflödigt fett bort från köttet före grillningen.
2. Sträva efter att tillreda köttbitar i rätt temperatur.
3. Säkerställ att det inte finns överflödigt fett eller matbitar på fettplåten.
4. Säkerställ att värmedelningsplattorna är rena av fett.
5. Grilla med stängt lock alltid när det är möjligt.

**i** När du grillar med stängt lock hålls temperaturen i grillen jämnare och grillen använder mindre gas. Det stängda locket hjälper även att hålla fukten inne i grillen vilket förhindrar att maten torkar så lätt.

# Nyttiga tips

## Allmänna tips för grillning

Det är mycket lätt och avslappnande att grilla så länge du minns några små saker och utnyttjar dessa allmänna tips för grillning:

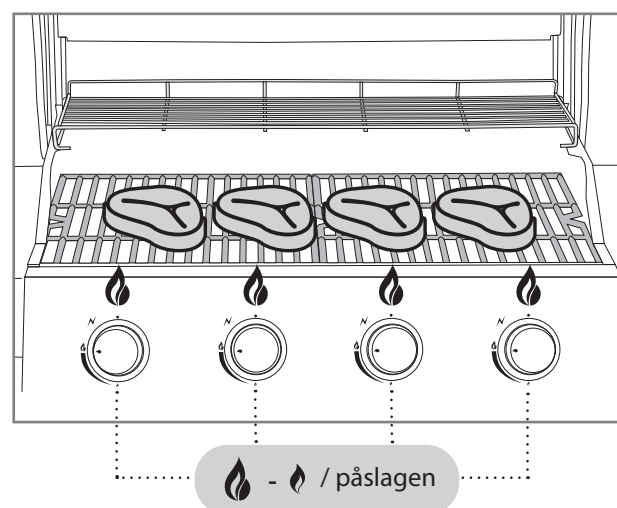
- **Grillen ska värmas upp ordentligt.** Om grillens halster och galler har värmts upp ordentligt hindrar det mat från att fastna och den bryner bättre.
- **Använd inte smutsiga redskap.** Gamla marinader och matrester kan lätt fastna i galler och mat som grillas. Rengör grillens galler och halster alltid efter varje användning. På det sättet är de färdiga för nästa gång.
- Säkerställ att alla redskap, kryddor och marinader samt kärl som behövs är i närheten innan du börjar grillningen.
- **Grilla med stängt lock så mycket som möjligt.** När du grillar med stängt lock sjunker temperaturen i grillen inte i onödan och grillningen tar mindre tid.
- **Sväng köttet så lite som möjligt,** en gång räcker. När maten får vara tillräckligt länge på grillhalstret / -gallret får den en vacker brun yta.
- **Termometer hjälper!** En för lång grillning torkar maten och förstör smaksensationen. Det bästa resultatet nås genom att använda en stektermometer.
- **Låt köttet dra 10–20 minuter** innan du skär i / serverar det. När köttet drar sig jämnas temperaturen ut och lika mycket kötsaft rinner inte ut när du skär i köttet.

## Att grilla på direkt och indirekt värme

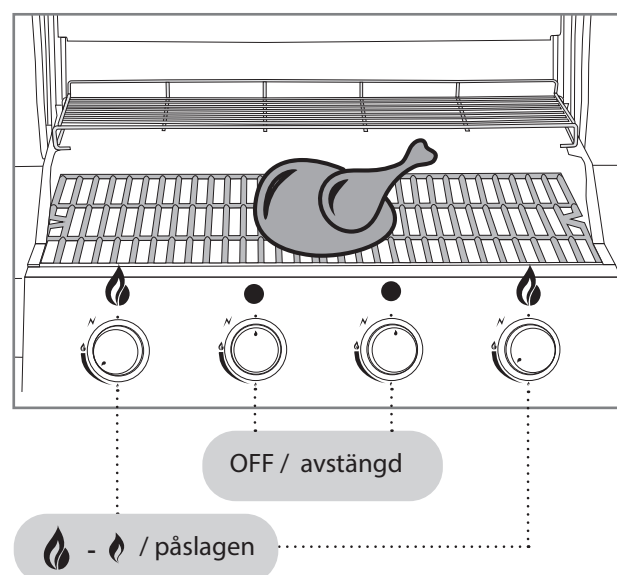
Med en gasgrill med flera brännare kan du grilla på direkt och indirekt värme. Huvudsakligen grillas mindre och mjukare mat på direkt värme. På indirekt värme grillas stor mat som kräver längre grillning såsom hela stekar, kycklingar och fiskar. Grillning på indirekt värme används även för att tillreda köttbitar som har brynts på direkt värme. Se nedan hur kan du grilla på direkt och indirekt värme.

SV

### Inställningar för grillning på direkt värme



### Inställningar för grillning på indirekt värme

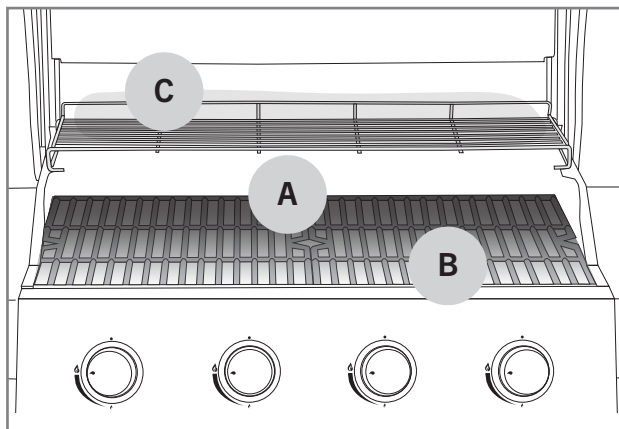


## Stekytans värmezoner

De traditionella och mest allmänna gasbrännarna (Rör-/flatbrännare) ger stekytan en ojämn värme. Det lönar sig att snarare se det som en egenskap än som problem. En allmän regel kan vara att baksidan av grillytan (A) är hetare än framsidan (B). Att framsidan är svalare beror på ett så kallad venturirör som fäster i brännaren. I venturiröret blandas gasen upp med luften som en blandning som lämpar sig för bränning. Lågan brinner inte i venturiröret.

Mustang har även sådana gasgrillmodeller där grillytan sprider sig på ett jämnare sätt över stekytan. I sådana grillar utnyttjas U-brännare eller separata brännare vars venturirörstrukturen ligger i mitten av brännaren till skillnad till de vanliga grillarna. Med en sådan lösning brinner lågan även på framsidan av brännaren.

Värmegallret (C) i baksidan av grillen är svalare så att där kan man hålla maten varm eller steka den långsamt på indirekt värme.



## Marinader

Det är mycket vanligt att använda marinader i grillning. Marinadernas syfte är att ge grillmaten den önskade smaken. Ändå får marinader maten att bränna sig fast i gallren eller halstren. Samtidigt kan oljiga marinader rinna på brännarna och få lågorna flamma upp onödigt eller till och med leda till fettbrand. Med dessa tips minskar du problem som orsakas av marinader:

1. Sträva efter att torka överflödiga marinad bort från maten innan du sätter maten i grillen.
2. Om du tillsätter marinad under grillningen använd alltid grillborste. Marinader får inte hällas över maten direkt från flaskan.
3. Hellre använd torrmarinader under grillningen.

**i** Använd inte marinad som blev över när du marinerade rå mat för att marinera stekt mat. Eftersom då kan bakterier från det råa köttet sprida sig till den färdiga maten.

## Att förhindra maten att fastna

Det är ett välbekant fenomen för grillare att maten fastnar i grillgallren / -halstrar. Här finns några tips som hjälper dig att undvika det:

1. Kom ihåg att förvärma grillen till lämplig värme.
2. Rengör grillgallren och -halstrar innan du lägger mat i grillen.
3. Pensla grillytan och maten med olja innan grillning.
4. Vänd inte maten för snabbt utan låt den brynas ordentligt.

## Grillningsguide om temperaturer

Nedan finns en lista över vägledande anvisningar hur länge och i vilken temperatur de vanligaste ingredienserna grillas. Vind, regn, temperaturen utomhus och grillens renlighet kan påverka tillredningstiden.



### Nöt

Ingrediens	Tjocklek / vikt	Grillningsmetod	Grillningstid
Entrecôte /ytterflébiff	ca 2 cm	Direkt hög värme	2,5 – 3,5 min. / sida
Entrecôte /ytterflébiff	ca 5 cm	Direkt hög värme Indirekt medelhög värme	2,5 min / sida 8 – 10 min.
En hel entrecôte	ca 1,5 kg	Direkt hög värme Indirekt medelhög värme	3 min. / sida 20 – 30 min.
Stek	ca 1,5 kg	Direkt medelhög värme Indirekt medelhög värme	3 – 4 min. / sida 30 – 40 min.
Hamburgerbiff	ca 2 cm	Direkt hög värme	2 – 3 min. / sida
Innertemperatur			
Röd – rosaröd		47 – 51 °C	
Medium		52 – 58 °C	
Välstekt - genomstekt		59 – 66 °C	



### Gris

Ingrediens	Tjocklek / vikt	Grillningsmetod	Grillningstid
Filébiff, kotlett	ca 2 cm	Direkt hög värme	2 – 2,5 min. / sida
Entrecôte	ca 600 g	Direkt hög värme Indirekt medelhög värme	3 min. / sida 20 – 30 min.
Revbensspjäll / ribs	ca 1,5 kg	Indirekt medelhög värme Direkt hög värme	60 – 90 min. 4 min. / sida
Kassler	ca 3 cm	Direkt medelhög värme Indirekt medelhög värme	2,5 – 3 min. / sida 15 – 20 min.
Färskkorv	ca 400 g	Direkt låg värme	2 – 3 min. / sida
Innertemperatur			
Färdig filé		65 – 70 °C	
Färdiga övriga ingredienser		65 – 70 °C	



## Kyckling och kalkon

SV

Ingrediens	Tjocklek / vikt	Grillningsmetod	Grillningstid
Bröstfilé	ca 200 g	Direkt medelhög värme	5 – 6 min. / sida
Klubba	ca 120 g	Direkt medelhög värme	5 – 6 min. / sida
Vingar	ca 500 g	Direkt medelhög värme Indirekt medelhög värme	6 – 10 min. 30 – 40 min.
En hel kyckling	ca 900 g	Indirekt medelhög värme	60 – 75 min.
Innertemperatur			
Genomstekt		75 °C	



## Fisk

Ingrediens	Tjocklek / vikt	Grillningsmetod	Grillningstid
Tunn filé	ca 200 g	Direkt medelhög värme	2 – 3 min. / sida
Tjock filé	ca 120 g	Direkt medelhög värme	5 – 6 min. / sida
En hel fisk	ca 500 g	Indirekt medelhög värme	20 – 30 min.
Innertemperatur			
Rosa		45 – 50 °C	
Genomstekt		55 – 60 °C	



## Grönsaker

Ingrediens	Tjocklek / vikt	Grillningsmetod	Grillningstid
Mogen majs		Direkt medelhög värme	6 min.
Tomat		Direkt medelhög värme	6 min. / sida
Sparris		Direkt medelhög värme	3 – 5 min.
Potatisskivor		Direkt medelhög värme Indirekt medelhög värme	5 – 8 min. 10 – 15 min.
Rå potatis		Indirekt medelhög värme	45 – 60 min.




# Rengöring och förvaring av grillen

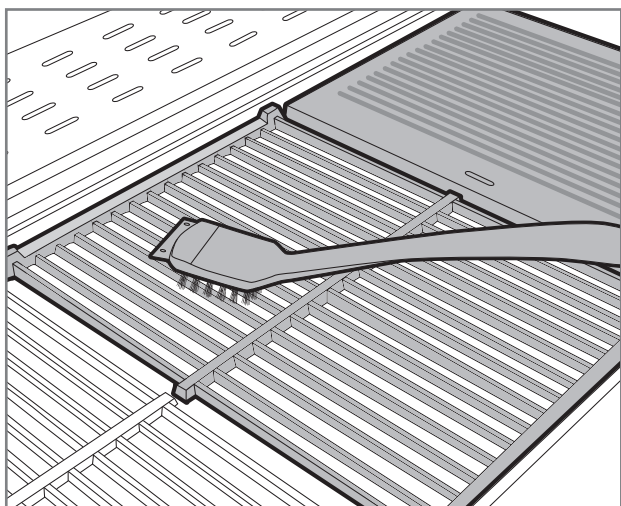
Genom att rengöra och underhålla grillen regelbundet kan du förlänga grillens livslängd märkbart. Om grillen inte värmer upp ordentligt eller maten fastnar lätt i halstren har grillen inte rengjorts eller underhållits enligt anvisningarna. Vidta rengöringsåtgärder efter varje användning.

## Grillgallar och -halstrar

Om mat eller marinader har fastnat i grillgallar eller -halster gör så här:

1. Säkerställ att grillen är avstängd.
2. Ta bort matbitar och fett från ytor med t.ex. hushållspapper.
3. Tänd grillen enligt anvisningarna och justera brännarna på -effekt.
4. Stäng locket och låt grillen värma upp i 5–10 minuter.
5. Stäng av grillen och öppna locket.
6. Låt grillen kyla av i ca 10 minuter.
7. Borsta bränd mat och smuts bort med en rengöringsborste (A) avsedd för grillen.
8. Applicera matolja på de rena grillgallren och -halstren med hushållspapper eller grillborste.

**i** Använd aldrig en stålborste som är avsedd för svetsarbete för att rengöra grillen eftersom den kan skada grillens ytor. Garantin täcker inte skador orsakade av en sådan stålborste.



## Fettplåt och -behållare

Den vanligaste orsaken till fettbränder är en smutsig fettplåt. Om det syns matbitar eller marinader i fettplåten eller -behållaren ska fettplåten rengöras på ett följande sätt. På fettplåten får det inte finnas några fettpölar.

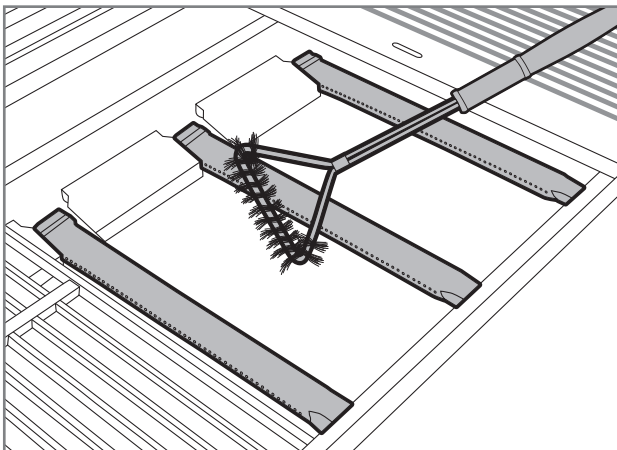
1. Säkerställ att grillen är avstängd.
2. Ta bort fettplåten / -behållaren från grillen.
3. Skopa bort matbitar och fett genom att använda skrapdelen i grillens rengöringsborste eller plastspatel.
4. Diska fettplåten / -behållaren med mildt diskmedel.
5. Torka fettplåten / -behållaren och ställ den tillbaka i grillen.

**i** Du kan underlätta rengöringen genom att sätta folie som samlar in överskottsmat och fett på fettplåten. Då behöver du endast ta bort folien vid rengöring.

## Brännare

Grillens brännare är de viktigaste delarna i grillen för att grillen fungerar och värmer upp ordentligt. Därför ska man regelbundet kontrollera att de är rena och i skick. Brännare ska lossas och kontrolleras minst två gånger per år, i synnerhet på våren efter förvaringen under vintern, eller efter eventuella övriga långa förvaringsperioder. De små hålen i brännarna lockar insekter och spindlar att sätta bo i dem. Sådana stopp orsakar orena lågor eller kan leda till att lågorna brinner ojämnt. Stopp kan leda till att lågorna brinner utanför gasrören vilket skadar grillen. För att rengöra brännarna gör så här:

1. Säkerställ att grillen är avstängd.
2. Ta bort grillgallren / -halstren och värmedelningssplattor.
3. Lossa brännaren från eldlådan genom att öppna fästskruven. Fästskruven finns oftast på baksidan av brännaren.
4. I några grillmodeller krävs det att grillens baksidiga tas bort för att kunna lossa brännarna.
5. I en del av grillmodeller är det enkelt att rengöra brännarna även utan att lossa dem. Det viktigaste är att komma åt alla små gashål.
6. För att rengöra brännarnas ytor använd mässingborste avsedd för grillar.
7. Säkerställ att brännarnas hål är öppna och rena. Till exempel en tunn järntråd kan användas som hjälp i rengöringen.
8. Om brännaren har skadats eller är svårt rostig, byt den omedelbart mot en ny.
9. Kontrollera samtidigt att ventilens munstycke är ren och intakt.
10. Montera de rena brännarna tillbaka på plats.

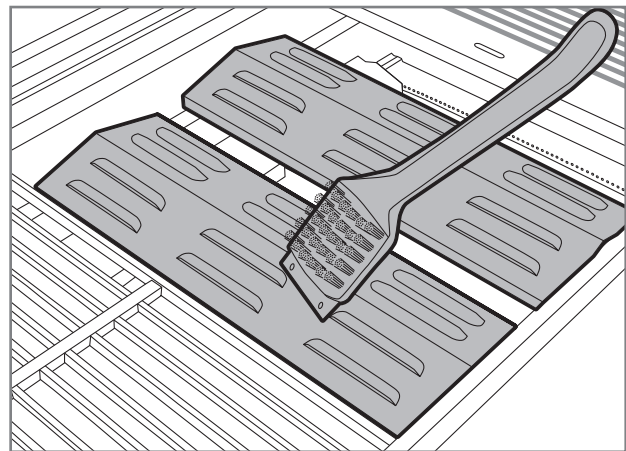


## Värmespridarplattor

Värmespridarplattor sprider värmen jämnt till grillytan. På ytan av värmespridarplattor kan det samlas matrester och marinader. Smutsiga värmespridarplattor försvagar grillens effekt. Rengör värmespridarplattorna så här:

1. Säkerställ att grillen är avstängd.
2. Ta bort värmespridarplattor från grillen.
3. Skrapa bort matrester från värmespridarplattornas yta med hjälp av skrapdelen i grillens rengöringsborste eller plastspatel.
4. Till slut borsta resten av smutsen bort med mässingborste avsedd för grillar.
5. Du kan även diska värmespridarplattorna på diskhon med en mild diskmedel.
6. Torka de rena värmespridarplattorna och sätt dem tillbaka till grillen.

**i** Tvätta inte värmespridarplattor i diskmaskinen.





## Övriga delar i grillen

Utöver ovannämnda delar finns det i grillen flera andra ståldelar som ska rengöras regelbundet. Använd följande allmänna anvisningar för att rengöra dem:

1. Rengör grillens ståldelar med Mustang rengöringsvätska för grillar, Mustang rengöringsspray för rostfritt stål eller mild diskmedel och trasa.
2. Kom ihåg att torka de rena delarna noggrant.
3. För att rengöra kontrollpanelen och ytor med varningstexter får man inte använda rengöringsmedel eftersom den kan ta bort texter och övriga säkerhetsanvisningar.
4. Rengör alla grillens yttre ytor minst tre gånger per år för att undvika att smutsen fastnar i ytorna.
5. Testa alltid om ny rengöringsmedel lämpar sig till grillen på ett omärkbart ställe.

**i** **Klor och salt kan orsaka rostbildning i grillen. Om grillen används vid havet eller i omedelbar närhet av en simbassäng ska grillen rengöras varje vecka.**

## Rengöring av trädelar

Om grillen har trädelar ska dessa rengöras och underhållas enligt följande:

1. Rengör alla trädelar regelbundet genom att torka av dem med en fuktad trasa och en mild tvål- och vattenblandning.
2. Torka de rengjorda ytorna noggrant.
3. Behandla trädelarna minst två gånger om året med allmänt tillgänglig, färglös träolja avsedd för utemöbler. Detta förhindrar att trädelarna torkar ut och spricker.
4. Kontrollera att träoljan och eventuella andra behandlingsprodukter är lämpliga genom att testa dem på ett litet, undanskymt område före behandlingen. Följ alltid tillverkarens instruktioner vid behandling av trädelar.

## Förvaring

Se dessa anvisningar när du håller en längre paus i grillning eller du vill förvara grillen t.ex. över vintern. Om grillen förvaras på ett rätt sätt förlänger det grillens livslängd och håller grillen funktionsduglig år efter år. När du förvarar din grill gör så här:

1. Rengör grillen fullständigt i enlighet med bruksanvisningarna.
2. Tänd grillen och låt den värma upp i ca 15 minuter så att alla ståldelarna har torkat.
3. Låt grillen svalna.
4. Kontrollera att alla grillgallren / -halstrarna har oljats.
5. Om grillen förvaras utomhus, lossa brännarna, gallren, halstren, värmegaller och värmedelningsplattorna. Dessa delar måste förvaras på ett torrt och varmt ställe. Det är skäl att slå in dessa delar separat i tidningspapper så att delarna inte repar ytorna.
6. Lossa tryckregulatorn från gasflaskan.
7. Förvara flaskan alltid utomhus och säkerställ att gasflaskan inte exponeras för hettka eller direkt solsken.
8. Om grillen förvaras utomhus lönar det sig att skaffa ett högklassigt skyddsöverdrag som täcker grillen ända ner till marken. Kom ihåg att säkerställa att luften cirkulerar även under skyddsöverdraget.

**i** **Förvara grillen inte på så sätt att snön från taket kan falla på grillen. Garantin täcker inte skador orsakade av snö och is.**

SV

# Felsökning

Det kan uppstå funktionsfelar i alla grillar. Dessa fel är vanligen enkla att reparera. Om du inte hittar ett svar på din fråga i schemat nedan, kontakta försäljarbutiken.

SV

Fel	Eventuell orsak	Lösning
Gasen strömmar inte	Lågtrycksreglaget är avstängd	Öppna gasmatningen genom reglaget i tryckregulatorn
	Lågtrycksreglaget är inte ordentligt fast i gasflaskan	Lossa lågtrycksreglage och fästa det om ordentligt
	Gasslangen eller tryckreglaget är defekta	Byt gasslangen eller tryckreglaget och utför läckagetestet
Brännaren tänds inte med en batteridrivnen piezo	Batterier är slut eller har inte installerats	Byt batterier
	Kablarna i tändaren har lossats eller har anslutits på fel sätt	Kontrollera anslutningarna och anslut kablarna på nytt
	Tändaren är defekt	Byt tändaren
Brännaren tänds inte med en tändsticka eller tändare	Hållarna i brännaren är tilltäppta	Rengör brännarna enligt anvisningarna
	Brännarna inte är ordentligt anslutna till ventilerna	Kontrollera brännarnas montering och skick
Grillen värmer inte upp ordentligt	Brännarnas luftintag är förhindrat	Kontrollera och rengör brännarna
	Det finns inte tillräckligt med gas	Byt gasflaskan
	Gasmattningen är förhindrad	Säkerställ att gasslangen är hel och utan veck
Lågorna är ojämna, grillen brinner med helt gula lågor eller ryker	Brännarna får inte tillräckligt med luft	Rengör brännarna enligt anvisningarna
	Matrester, salt eller marinader har fastnat i brännarnas yta	Rengör brännarna enligt anvisningarna
Lågorna flammar upp mycket eller temperaturen är för hög	För mycket fett och marinader på maten	Torka bort överflödigt fett
	Värmedelningsplattor eller fettplåten är för smutsiga	Ta bort matrester och överflödigt fett från värmedelningsplattor eller fettplåt
Lågorna slocknar	För hård vind	Flytta grillen till en plats med skydd mot vinden
	Det finns inte tillräckligt med gas	Byt gasflaskan
Lågor syns utanför brännarna	Det finns stopp i brännarna	Kontrollera och rengör brännarna
	Hård vind	Flytta grillen till en plats med skydd mot vinden
Tryckreglage surrar / susar	Temperaturen utomhus är hög	Inga åtgärder behövs En tillfällig situation
	En hel gasflaska	



# Garanti

Denna Mustang gasgrill har en tillverknings- och materialgaranti om 10 år. Kontrollera de aktuella garantivillkoren på vår webbplats

**[mustang-grill.com](http://mustang-grill.com)**

Garantin gäller endast när inköpskvittot visas, där namnet på försäljarens butik och inköpsdatum ska ingå.

SV



# MUSTANG



NO

**Monteringsanvisninger og bruksanvisning**

---



# Velkommen til Mustang-grillens verden

Vi er glade for at du endte opp med å velge en gassgrill fra Mustang. Mustang ønsker å være din grillkompis, og sikre at grillopplevelsen blir som du alltid har drømt om. Mustang ble til av ønsket om å nyte stressfri og avslappende matlaging sammen med familie og venner, og det er nettopp denne ideen vi også ønsker å gi deg.

Griller og tilbehør fra Mustang er nøye designet og utført, og vi er stolte av å representere produktutvalget vårt. Vår lange erfaring og kompetanse kan ses i alle våre produkter. De inkluderer alle viktige funksjoner. Vi er sikre på at denne grillen vil gi deg glede i lang tid, så lenge du husker å vedlikeholde og rengjøre grillen i henhold til instruksjonene i denne håndboken.

## Et omfattende grillproduktutvalg

Mustang er et merke som eies av det finske selskapet Tammer Brands Oy. Mustang tilbyr alle apparater, rekvisita, tilbehør og reservedeler som trengs for grilling, samt et omfattende produktutvalg for å røyke mat og lage pizza. Vi kjenner grillkulturen inn og ut, og kan på den måten sikre at du har tilgang til de mest egnede og moderne produktene på markedet. Mustang er det eneste merket du trenger for en vellykket grillfest.

NO

## Kundeservice:

Tammer Brands Oy,  
tlf. +358 3 252 1111.  
Viinikankatu 36,  
FI-33800 Tampere, FINLAND

**TAMMER**  
BRANDS | EST 1954

[mustang-grill.com](http://mustang-grill.com)



Les håndboken før du bruker grillen,  
og behold den til senere bruk.

Følg oss på sosiale medier



**mustanggrill**

  
**MUSTANG**





# Innholdsfortegnelse

NO

<b>Monteringsanvisning</b> .....	3
Før du starter monteringen .....	5
<b>Sikkerhetsinstruksjoner og advarsler</b> .....	78
Plassering av grillen .....	78
Sikkerhetsinstruksjoner relatert til gass .....	78
Generelle sikkerhetsinstruksjoner .....	79
<b>Koble gass til grillen</b> .....	80
Informasjon om flytende gass .....	80
Montering av gassslangen .....	80
Montering av lavtrykksregulatoren .....	81
Test for lekkasjer av flytende gass .....	81
<b>Bruk av grillen</b> .....	82
Tiltak som skal utføres før apparatet brukes for første gang .....	82
Tiltak som skal utføres før hver bruk .....	82
Når brennerne tennes med piezo-tenner .....	83
Tenn brennerne med en fyrstikk eller lang lighter .....	83
Tenn brenneren på sideovnen .....	83
Slokke brennerne .....	84
Bryterstillinger .....	84
Kontroller flammene .....	84
Flammens bevegelser .....	84
Oppblussende flammer .....	84



<b>Nyttige tips</b> .....	85
Generelle instruksjoner for grilling .....	85
Direkte og indirekte grilling .....	85
Innstillinger for direkte grilling .....	85
Innstillinger for indirekte grilling .....	85
Varmenivåer på stekeområdene .....	86
Marinader .....	86
Å hindre at maten fester seg til grillen .....	86
Veiledning for grilltemperaturer .....	87
<b>Rengjøring og oppbevaring av grillen</b> .....	89
Grillristene .....	89
Fettskuff og -kopp .....	89
Grillens brennere .....	90
Varmefordelingsplatene .....	90
Andre grillkomponenter .....	91
Rengjøring av tredeler .....	91
Lagring .....	91
<b>Feilsøking</b> .....	92
<b>Garanti</b> .....	93

NO



## Sikkerhetsinstruksjoner og advarsler

Når du begynner å bruke denne gassgrillen, må du lese nøye gjennom og være oppmerksom på advarslene og sikkerhetsinstruksjonene i denne håndboken før du bruker grillen. Denne grillen er CE-merket i henhold til gyldige forskrifter.

Symbolforklaringer:



**FARE!**



**MERK!**

NO

### Plassering av grillen



Denne grillen er kun ment for utendørs bruk. Den må aldri brukes innendørs eller i lukkede rom. Påse at du gjør følgende før du begynner å grille.

- Bruk bare grillen utendørs.
- Ikke bruk grillen ved siden av en vegg, i en garasje, bobiler eller tilhenger eller et annet lukket rom, eller innendørs.
- Kontroller at det er minst én meter med tom plass på hver side av grillen og over den.
- Sørg for å ha et brannteppe/brannslukningsapparat og et førstehjelpsskrin tilgjengelig i nærheten av grillen.
- Ikke plasser grillen på eller nær sensitive overflater, da fett og marinader kan renne og sprute ut av grillen under normal bruk.
- Kontroller at både grillen og gassflasken står på et jevnt underlag.

### Sikkerhetsinstruksjoner relatert til gass



Bare et servicefirma med godkjenning for gassinstallasjon kan vedlikeholde og justere hovedventilene, dysene og gasstappene på grillen. Påse at du gjør følgende før du begynner å grille.

- Slå alltid av gassstrømmen fra gassflasken etter bruk, og fjern lavtryksregulatoren fra glassflasken.
- Håndter flasken med flytende gass forsiktig: Ikke slipp eller velt den. Ikke oppbevar flasker med flytende gass på steder der temperaturen kan overstige +50 °C.
- Kontroller alltid tilstanden til gassslangen før bruk.
- Utfør lekkasjetesten regelmessig i henhold til instruksjonene. Du må utføre lekkasjetesten spesielt når grillen har vært ubrukt i lang tid, eller du har byttet gassflasken, trykkregulatoren eller slangen.
- Hvis du merker en sterk lukt av gass, må du slå av gassen umiddelbart og sette alle bryterne til AV. Etter dette åpner du grillhetten, utfører lekkasjetesten og fester tilkoblingene. Kontakt et service- eller salgsfirma dersom du ikke finner ut av feilen.
- Bruk aldri åpen flamme til å teste for gasslekkasjer.
- Ikke fjern gassslangen eller lavtryksregulatoren når grillen er i bruk.



## Generelle sikkerhetsinstruksjoner



**Det kan være farlig å bruke grillen til annet enn det som er tiltenkt. Å endre grillens struktur, selv små justeringer, er helt forbudt. Påse at du gjør følgende før du begynner å grille.**

- Følg instruksjonene for monteringen nøye, og kontroller at ingen deler er ubrukt etter monteringen. Hvis du ikke følger instruksjonene eller ikke har installert alle delene, kan det oppstå problemer når du bruker apparatet. Brukeren er ansvarlig for riktig montering av grillen.
- Les håndboken før du bruker grillen, og behold den til senere bruk.
- Grillen blir varm under bruk, så vær spesielt forsiktig hvis det er barn, eldre eller kjæledyr i nærheten av grillen.
- Ikke ha brennbare materialer, væsker eller gassflasker (som ikke er koblet til grillen) i umiddelbar nærhet av grillen.
- Ikke len deg over grillen når du tenner den.
- Ikke la grillen stå uten tilsyn mens den er i bruk.
- Ikke flytt grillen mens den er i bruk.
- Bruk varmesikre votter når du bruker grillen.
- Kontroller at grillens bunn, fettskuff, varmedelingsplater og brennere er rene for fett og marinade.
- Ikke bruk grillen hvis den ikke fungerer som den skal.
- Ikke la barn bruke grillen.
- Alkohol, reseptbelagte medisiner og rusmidler av alle slag kan påvirke brukerens evne til å betjene grillen på en sikker og hensiktsmessig måte.

NO

# Koble gass til grillen

## Informasjon om flytende gass

Før du kan bruke grillen, må du kjøpe en flaske med flytende gass, lavtryksregulator og gassslange. **Disse er ikke inkludert i pakken.**

Liquified Petroleum Gas (LPG) er et ekstremt brennbart stoff som er lagret i gassflasker under trykk. Flasker med flytende gass er tilgjengelige som 5 kg–11 kg. Kontroller at flasken ikke er smusset eller støvete, og at ventilen ikke er skadet. Du må alltid bære og transportere flasker med flytende gass i oppreist stilling og sikkert festet. For husholdningsbruk skal en gassflaske ha en maksimal høyde på 615 mm og diameter på 310 mm.

Gassen ledes fra flasken til grillen gjennom en lavtryksregulator og en slange. Lavtryksregulatoren bidrar til at gassen strømmer jevnt inn i grillen.

NO

**!** Trykkregulatoren som skal festes til flasken må ikke justeres, og driftstrykket må være 30 mbar.

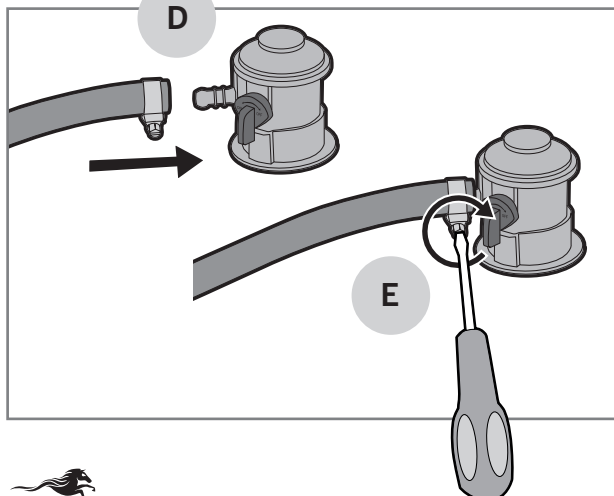
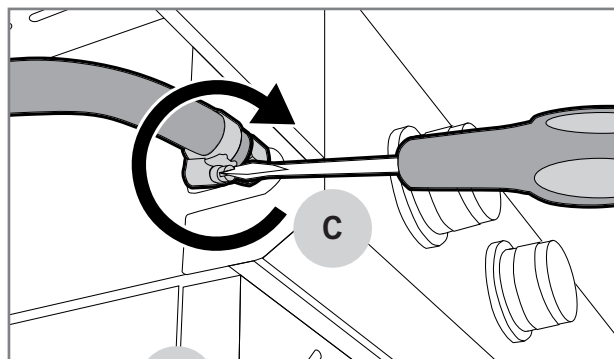
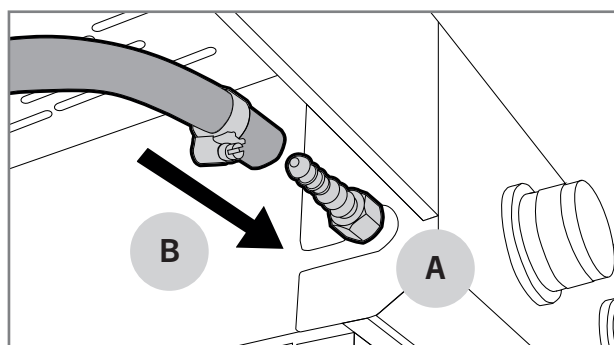
**!** Lengden på gassflasken kan være maksimalt 1,2 m, og tykkelsen maksimalt 10 mm (merk: I Sverige, maks. 8 mm).

**i** Trykkregulatoren må produseres i henhold til EN16129-standarden. I trykkregulatoren er driftstrykket merket i henhold til det nominelle trykket, 29 mbar.

**i** Gassslangen må produseres i henhold til EN16436-standarden.

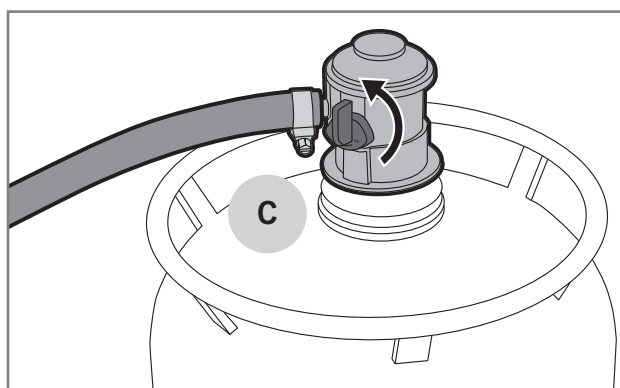
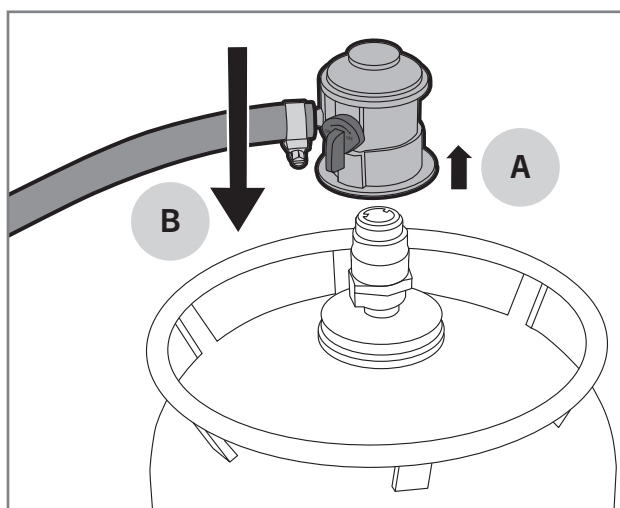
## Montering av gassslangen

1. Kontroller tilstanden til gassslangen.
2. Kontroller at alle bryterne på grillen er slått av.
3. Kontroller at slangekoblingen på grillen er godt festet (A).
4. Sett gassslangen godt inn i slangekoplingen, så langt inn som den går (B).
5. Fest slangen til slangekoblingen ved hjelp av en slangeklemme (C).
6. Sett den andre enden av gassslangen inn i slangekoblingen i lavtryksregulatoren (D).
7. Fest slangen til slangekoblingen ved hjelp av en slangeklemme (E).



## Montering av lavtrykksregulatoren

1. Kontroller tilstanden til lavtrykksregulatoren.
2. Fest lavtrykksregulatoren til flasken ved å trekke låseringen opp (A) og trykke regulatoren inn i flasken samtidig (B).
3. Fest godt ved å trekke regulatoren opp med kraft.
4. Åpne gasstrømmen fra regulatoren sakte for at trykket skal jevnes ut (C).



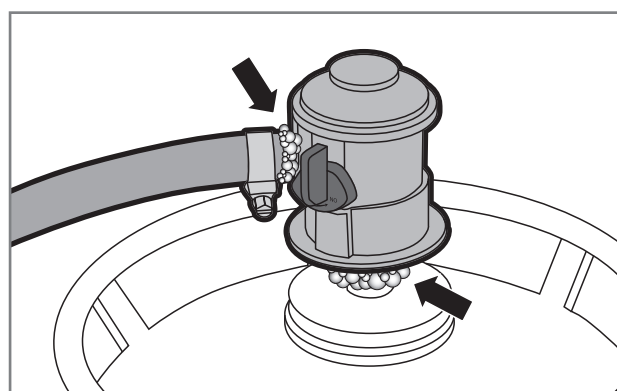
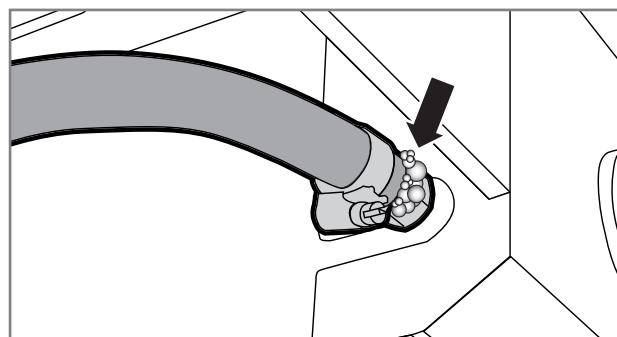
## Test for lekkasjer av flytende gass

Kontroll av potensielle gasslekkasjer må utføres hver gang flasken, regulatoren eller slangen skiftes ut. Lekkasjetesten må også utføres regelmessig en gang i året, og spesielt etter lengre lagringsperioder. Utfør lekkasjetesten ved å følge instruksjonene nedenfor.

1. Åpne hetten på grillen, og kontroller at bryterne på brennerne er slått av.
2. Åpne lavtrykksregulatoren.

3. Fukt alle ventiler, slangetilkoblinger, regulator-tilkoblinger, flasketilkoblinger og sveisesømmer med såpevann (30 % oppvaskmiddel eller flytende såpe og 70 % vann). Du kan fukte delene ved å vaske over eller spraye dem.
4. Se nøye etter bobler. Bobler indikerer en gasslekkasje.
5. Hvis det oppstår bobler, må gasstrømmen stenges av og koblingene festes i de delene der du ser bobler.
6. Hvis det vises bobler på midten av slangen eller i flasken, må du bytte den aktuelle delen.
7. Åpne gasstrømmen og utfør lekkasjetesten på nytt.
8. Skyll såpevann av med rent vann for å hindre korrosjon.

**!** Ikke bruk grillen hvis du ikke kan fikse gasslekkasjene. I dette tilfellet kobler du trykkrregulatoren fra gassflasken og kontakter service-/salgfirmaet.





NO

# Bruk av grillen

## Tiltak som skal utføres før apparatet brukes for første gang

Etter lekkasjetesten må fettene som brukes under fabrikklagring brennes av grillen før den kan brukes. Du kan brenne av lagringsfettet ved å følge instruksjonene nedenfor.

NO

1. Åpne hetten på grillen og tenn alle brennere i henhold til tenningsinstruksjonene.
2. Sett brennerne på  og la dem brenne i 5 minutter med hetten åpen.
3. Lukk hetten og la brennerne være på  i 10 minutter.
4. Slå brennerne AV og lukk gasstrømmen.
5. La grillen avkjøles i 15 minutter.
6. Rengjør grillristene med en rengjøringsbørste beregnet for grillbruk.
7. Smør grillristene med matolje.

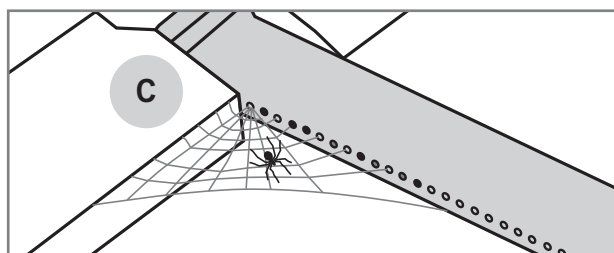
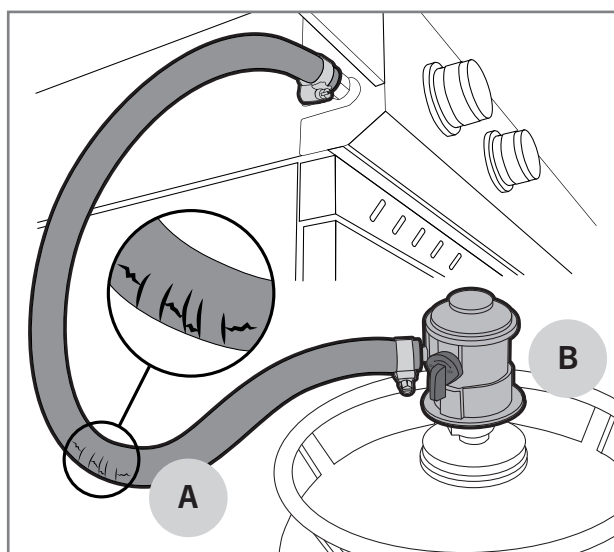
**i** Når du brenner av lagringsfettet, kan grillen produsere ubehagelig røyklukt. Dette er normalt. Røyken forsvinner når lagringsfettet er brent av.

## Tiltak som skal utføres før hver bruk

For å betjene grillen trygt og riktig, må du utføre noen kontroller før hver bruk. Gå nøye gjennom sjekklisten nedenfor.

1. Kontroller at grillen er riktig plassert, og at det ikke er brennbare materialer eller væsker i umiddelbar nærhet av grillen.
2. Kontroller at gassslangen ikke er sprukket eller revnet (A).
3. Kontroller at lavtrykksregulatoren er godt festet (B).
4. Kontroller at grillens bunn, fettskuff, varmedelingsplater og brennere er rene for fett og marinade. Ved å gjøre dette, kan du forhindre fettbranner.
5. Kontroller at brennerhullene ikke er dekket av insektsreir eller -nett (C).
6. Kontroller at ikke bust fra grillbørstene sitter fast på grillen eller ristene.

**!** Ikke bruk grillen hvis gassslangen er skadet eller grillen mangler deler.



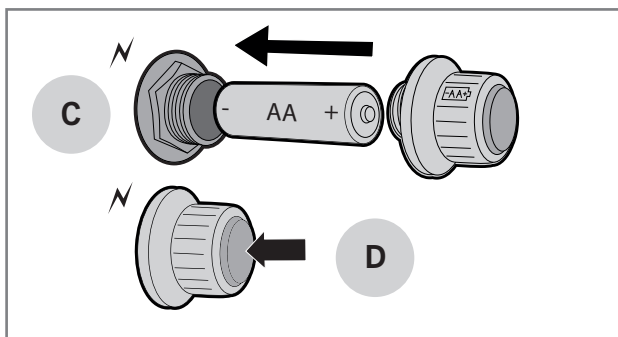
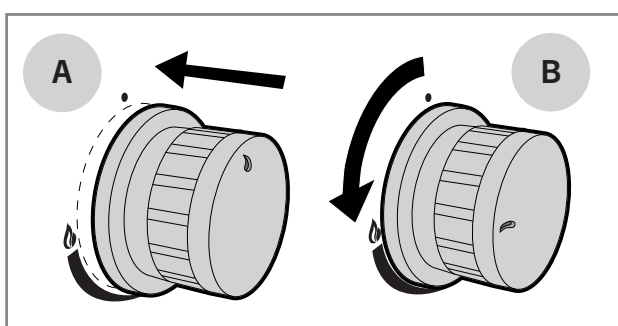


## Når brennerne tenes med piezo-tenner

Generelt bør du antenne brennerne med enten en piezo integrert i en kontrollknapp eller en batteridrevet piezo. Hver brenner har sin egen kontrollknapp. Du kan tenne brenneren fra kontrollbryteren med lyn-symbolet  $\mathcal{N}$ . Du kan tenne brenneren ved å følge instruksjonene nedenfor.

1. Åpne hetten på grillen.
2. Åpne gasstrømmen ved å bruke lavtrykksregulatoren.
3. Trykk kontrollknappen på brenneren ned (A), og sett den til  $\mathcal{N}$  (B). Piezoen som er integrert i kontrollbryteren tenner brenneren.
4. Hvis grillen bruker en batteridrevet piezo (C), må du kontrollere at batteriet er på plass og satt inn på riktig måte. Trykk og hold nede piezo-knappen (D) til grillbrenneren lyser.
5. Sett brennerflammen til passende effekt, mellom  $\mathcal{N}$  og  $\mathcal{N}$ .
6. Når den første brenneren er antent, kan du tenne de gjenværende brennerne ved å vri kontrollbryterne mot klokken til  $\mathcal{N}$ .
7. Sett brennerflammen til passende effekt, mellom  $\mathcal{N}$  og  $\mathcal{N}$ .

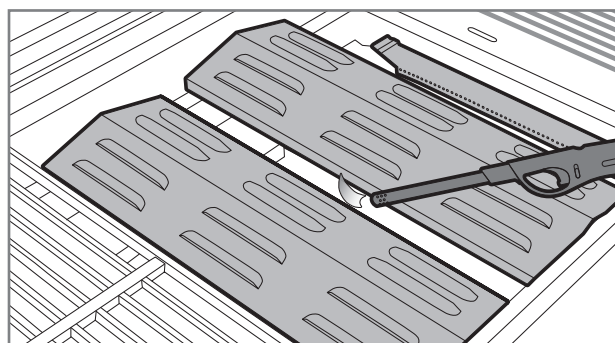
**i** Hvis brenneren ikke tenes, må du vri kontrollbryteren til AV og vente i fem minutter før du prøver å tenne den igjen. Hvis du ikke klarer å tenne brenneren med piezo-tenneren, kan du prøve å tenne den med en lang fyrstikk eller lighter.



## Tenn brennerne med en fyrstikk eller lang lighter

1. Åpne hetten på grillen.
2. Åpne gasstrømmen ved å bruke lavtrykksregulatoren.
3. Tenn med en lang fyrstikk eller lighter.
4. Trykk kontrollbryteren på brenneren ned, og sett den til  $\mathcal{N}$ .
5. Sett en lang fyrstikk eller lighter ca. en cm fra brenneren.
6. Når den første brenneren er antent, kan du tenne de gjenværende brennerne ved å vri kontrollbryterne mot klokken mellom  $\mathcal{N}$  og  $\mathcal{N}$ .

**i** Hvis brenneren ikke tenes i løpet av fem sekunder, vrir du kontrollbryteren til AV og prøver å finne en løsning fra feilsøkingstabellen.



## Tenn brenneren på sideovnen

1. Åpne lokket på sideovnen.
2. Trykk kontrollbryteren på brenneren ned, og sett den til  $\mathcal{N}$ . Piezoen som er integrert i kontrollbryteren tenner brenneren.
3. Hvis grillen har en batteridrevet piezo, trykker du på og holder nede piezo-knappen til brenneren tenes.
4. Sett brennerflammen til passende effekt, mellom  $\mathcal{N}$  og  $\mathcal{N}$ .

**i** Hvis brenneren ikke tenes, må du vri kontrollbryteren til AV og vente i fem minutter før du prøver å tenne den igjen. Hvis du ikke klarer å tenne brenneren med piezo-tenneren, kan du prøve å tenne den med en lang fyrstikk eller lighter.

NO

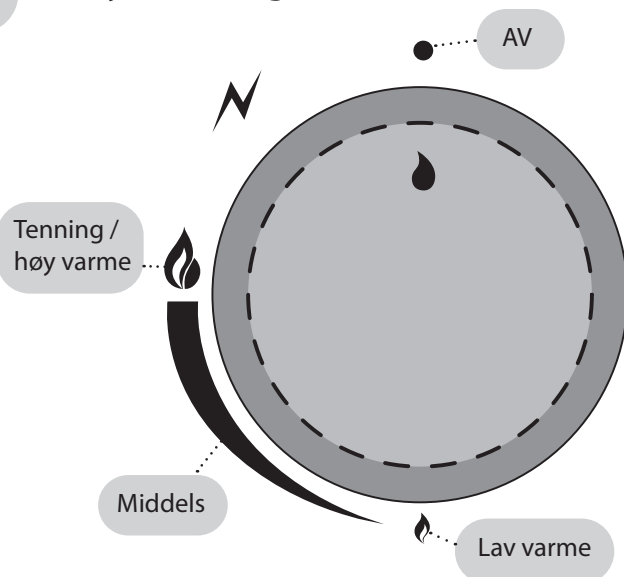


## Slokke brennerne

1. Slå av gassstrømmen fra lavtryksregulatoren for å sikre at det ikke kommer gass i grillen eller gassslangen.
2. Vri kontrollbryteren til AV.
3. Lukk hetten på grillen.
4. Kople trykkregulatoren til gassflasken.

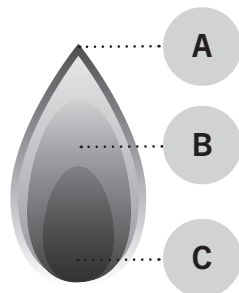
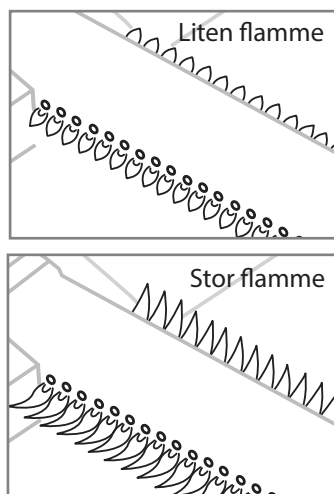
NO

## Bryterstillinger



## Kontroller flammene

Kontroller alltid flammen når du tenner grillen. Brennerne har blitt optimalisert på fabrikken, men de små hullene på dem tiltrekker insekter som kan lage reir og nett på brennerne. Når brennerne brenner riktig, er bare tuppen av flammen tidvis gul (A), og flammens farge endres fra lyseblå (B) til mørkeblå fra toppen og ned (C).



**i** Hvis flammen ikke brenner ordentlig, må du kontrollere og rengjøre brenneren. Hvis brenneren er skadet, må den skiftes ut før du fortsetter å bruke grillen.

## Flammens bevegelser

I vindfullt vær kan vinden flytte flammen fra brennerne til lufttilførselshullet. I så fall vil flammen brenne under kontrollpanelet. Dette kan skade kontrollpanelet, kontrollbryterne eller ventilene. Flammen genererer også en uvanlig lyd hvis den beveger seg, så hvis du hører uvanlig summing eller lignende, må du gjøre følgende:

1. Slå av gasstrømmen på lavtryksregulatoren.
2. Vri alle brytere til AV.
3. Åpne hetten på grillen.
4. Kople trykkregulatoren til gassflasken.
5. Flytte grillen til et mer skjermet sted.

**i** Garantien dekker ikke skader som skyldes flammebevegelser.

## Oppblussende flammer

Flammer som blusser opp av og til er normalt ved bruk av en gassgrill. Det gir også ekstra smak til maten. Hvis flammen ofte blusser opp, økes grillens indre temperatur og mer fett pipler ut av maten som grilles. I sin tur øker disse fenomenene risikoen for fettbranner. Dette er grunnen til at oppblussingen bør forebygges gjennom tiltak som er iverksatt på forhånd.

1. Fjern ekstra fett fra kjøttet før du griller det.
2. Ha som mål å grille kjøtt ved riktig temperatur.
3. Kontroller at det ikke er overflødig fett eller matbiter i fettskuffen.
4. Sørg for at varmfordelingsplatene er rene for fett.
5. Grill med hetten lukket så ofte som mulig.

**i** Når du griller med hetten lukket, vil grillens temperatur være jevnere, og du forbruker samtidig mindre gass. Den lukkede hetten bidrar også til å opprettholde fuktighet inne i grillen, som igjen gjør at maten ikke blir like fort tørr.

# Nyttige tips

## Generelle instruksjoner for grilling

Det er veldig enkelt og avslappende å grille når du følger noen få regler og tar i bruk disse generelle grillinstruksjonene.

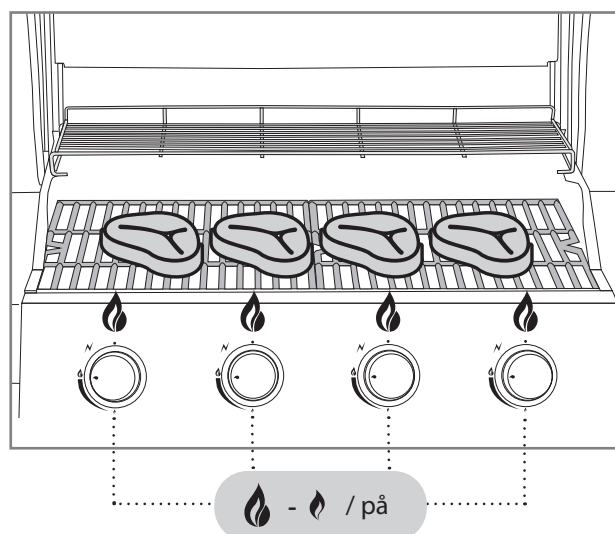
- **Grillen må varmes opp ordentlig.** Når ristene er tilstrekkelig varme, klister maten seg mindre og det du griller får en skikkelig grillet overflate.
- **Ikke grill på skitne overflater.** Gamle marinader og matrester fester seg lett til risten og maten. Rengjør grillen og ristene etter hver bruk. På denne måten er de klare for neste grilløkt.
- Sørg for at alt av nødvendig tilbehør, krydder, marinader og kopper og kar er i nærheten før du begynner å grille.
- **Grill med hetten lukket så ofte som mulig.** Når du griller med hetten lukket, reduseres ikke grillens temperatur unødvendig, og grillingen går raskere.
- **Vend kjøttet så lite som mulig,** én gang er tilstrekkelig. Når maten får lov til å stekes sakte på grillen/risten, får den en pent stekt overflate.
- **Bruk et termometer!** Hvis du griller maten for lenge blir maten tørr og mister smaken. Du kan oppnå de beste resultatene hvis du i tillegg bruker et kjøttermometer.
- **La kjøttet hvile i 10–20 minutter** før du skjærer i det / serverer det. Mens kjøttet hviler, blir temperaturen jevnere og saften flyter ikke ut for mye når kjøttet blir skjært i.

## Direkte og indirekte grilling

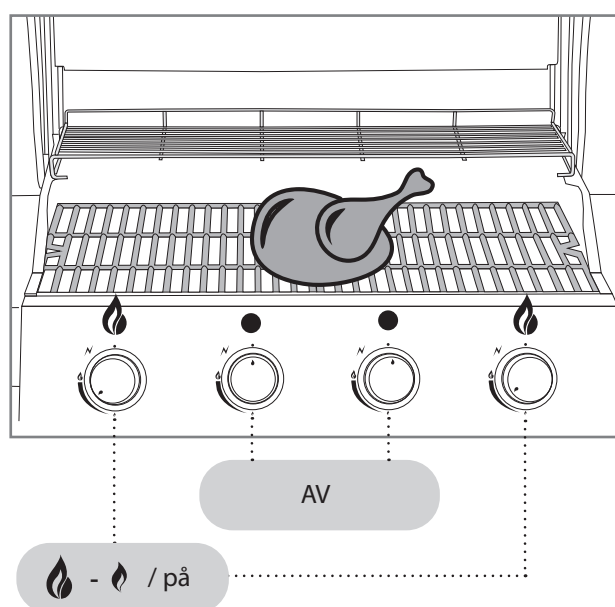
Med en gassgrill med flere brennere kan du bruke direkte og indirekte grilling. Generelt blir mindre og mykere mat grillet på direkte varme. Indirekte grilling brukes vanligvis til store matvarer som må grilles lenger, for eksempel hel stek, kylling og fisk. Indirekte grilling brukes også til videresteking av kjøttstykker som har fått en godt stekt overflate på direkte varme. Se instruksjoner for grilling ved direkte eller indirekte varme nedenfor.

NO

### Innstillinger for direkte grilling



### Innstillinger for indirekte grilling





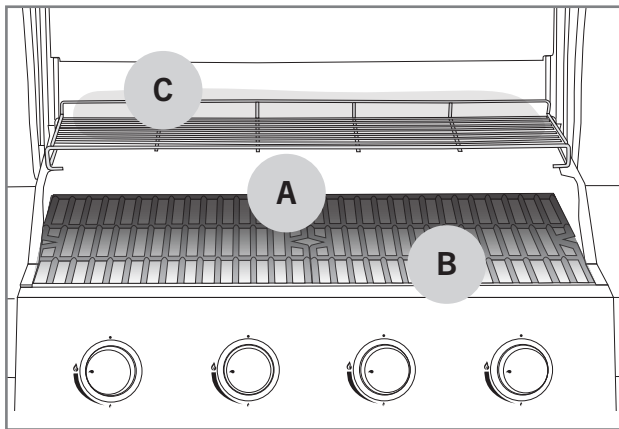
## Varmenivåer på stekeområdene

Konvensjonelle og vanlige gassbrennere (rør-/platebrennere) gjør at grillområdet har ujevne temperaturer. Dette bør ses på som en funksjon i stedet for en feil. Hovedregelen er at bakre delen av grillområdet (A) er varmere enn den fremste delen (B). Det litt kjøligere området foran skyldes Venturi-røret som er koblet til brenneren. I dette røret blandes gass og luft inn i et stoff som er egnet for brenning. Flammen brenner ikke inne i Venturi-røret.

NO

Mustang tilbyr også gassgrillmodeller der grilloverflaten har jevnere temperaturområder. Disse grillene har U-brennere eller separate brennere der Venturi-rørstrukturen unntaksvis er midt i brenneren. Takket være disse løsningene brenner flammen også foran på brenneren.

Oppvarmingsristen bak i grillen (C) er kjøligere, slik at du kan bruke den til å holde maten varm eller langsomt steke den på indirekte varme.



## Marinader

Bruk av marinader er svært vanlig i grillingsverden. Formålet med marinader er å krydre opp den grillede maten. Marinader kan imidlertid også føre til at maten fester seg til grillristen. På samme måte kan oljebaserte marinader renne ned på brennerne og føre til at flammen blusser opp, eller til og med forårsake fettbranner. Med disse enkle tipsene kan du redusere problemene forbundet med marinader.

1. Prøv å tørke bort overflødig marinade fra maten før du legger den på grillen.
2. Hvis du pensler på marinade under grillingen, må du alltid bruke en matpensel. Ikke hell marinaden på maten rett fra en flaske.
3. Velg gjerne tørr marinade som skrubbes på under grillingen.

**i** Ikke bruk rester av marinade fra tilberedning av rått kjøtt til tilberedning av stekt mat. I dette tilfellet vil bakteriene fra det rå kjøttet overføres til den stekte maten.

## Å hindre at maten fester seg til grillen

Mat som fester seg til grillen eller risten er et vanlig fenomen for alle grillkokker. Her er noen tips for å unngå at maten til stadighet henger fast.

1. Husk å forvarme grillen slik at den er tilstrekkelig varm.
2. Rengjør ristene før du legger mat på grillen.
3. Smør olje både på grilloverflaten og maten som skal grilles før du legger den på grillen.
4. Ikke snu maten på grillen for raskt. La overflaten grilles ordentlig.

## Veiledning for grilltemperaturer

Nedenfor finner du en liste over de veiledende grilltidene og temperatuene for de vanligste matvarene. Elementer som vind, regn, utetemperatur og grillens renslighet kan påvirke tiden som kreves.



### Biff

Ingrediens	Tykkelse/vekt	Grillmetode	Grilltid
Indrefilet/mørbradbiff	ca. 2 cm	Direkte, høy varme	2,5–3,5 min per side
Indrefilet/mørbradbiff	ca. 5 cm	Direkte, høy varme Indirekte, middels varme	2,5 min per side 8–10 min
Hel indrefilet	ca. 1,5 kg	Direkte, høy varme Indirekte, middels varme	3 min per side 20–30 min
Stek	ca. 1,5 kg	Direkte, middels varme Indirekte, middels varme	3–4 min per side 30–40 min
Hamburger	ca. 2 cm	Direkte, høy varme	2–3 min per side
Kjernetemperatur			
Lite stekt – medium stekt		47–51 °C	
Medium		52–58 °C	
Nesten gjennomstekt – godt stekt		59–66 °C	

NO



### Svinekjøtt

Ingrediens	Tykkelse/vekt	Grillmetode	Grilltid
Filet, kotelett	ca. 2 cm	Direkte, høy varme	2–2,5 min per side
Indrefilet	ca. 600 g	Direkte, høy varme Indirekte, middels varme	3 min per side 20–30 min
Ribbe	ca. 1,5 kg	Indirekte, middels varme Direkte, høy varme	60–90 min 4 min per side
Svinekam	ca. 3 cm	Direkte, middels varme Indirekte, middels varme	2,5–3 min per side 15–20 min
Rå pølse	ca. 400 g	Direkte, lav varme	2–3 min per side
Kjernetemperatur			
Godt stekt filet		65–70°C	
Godt stekt, andre ingredienser		65–70°C	



## Kylling og kalkun

Ingrediens	Tykkelse/vekt	Grillmetode	Grilltid
Brystfilet	ca. 200 g	Direkte, middels varme	5–6 min per side
Lår	ca. 120 g	Direkte, middels varme	5–6 min per side
Kyllingvinger	ca. 500 g	Direkte, middels varme Indirekte, middels varme	6–10 min 30–40 min
Hel kylling	ca. 900 g	Indirekte, middels varme	60–75 min
Kjernetemperatur			
Godt stekt		75°C	

NO



## Fisk

Ingrediens	Tykkelse/vekt	Grillmetode	Grilltid
Tynn filet	ca. 200 g	Direkte, middels varme	2–3 min per side
Tykk filet	ca. 120 g	Direkte, middels varme	5–6 min per side
Hel fisk	ca. 500 g	Indirekte, middels varme	20–30 min
Kjernetemperatur			
Rosé		45–50°C	
Godt stekt		55–60°C	



## Grønnsaker


Ingrediens	Thickness/weight	Grillmetode	Grilling time
Maiskolbe (kokt)		Direkte, middels varme	6 min
Tomat		Direkte, middels varme	6 min per side
Asparges		Direkte, middels varme	3–5 min
Tomatskiver		Direkte, middels varme Indirekte, middels varme	5–8 min 10–15 min
Rå potet		Indirekte, middels varme	45–60 min

# Rengjøring og oppbevaring av grillen

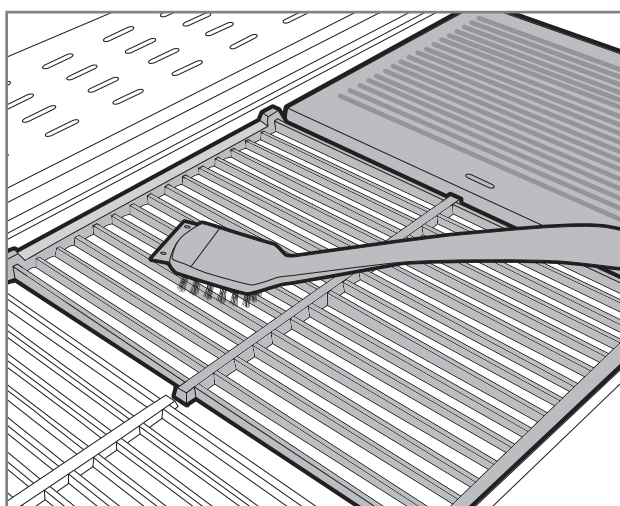
Du kan forlenge levetiden til grillen betydelig hvis du rengjør og vedlikeholder den regelmessig. Hvis grillen ikke varmes opp tilstrekkelig eller maten til stadighet henger fast på risten, er ikke grillen rengjort eller vedlikeholdt som beskrevet. Utfør følgende vedlikeholdstiltak etter hver bruk.

## Grillristene

Hvis mat eller marinade sitter fast på grillen eller risten, kan du gjøre følgende:

1. Kontroller at grillen er slått av.
2. Fjern for eksempel løse matrester og fett fra overflatene med kjøkkenpapir.
3. Tenn grillen etter instruksjonene, og sett brennerne til .
4. Lukk hetten og la grillen varmes opp i 5–10 minutter.
5. Slå av grillen og åpne hetten.
6. La grillen avkjøles i 10 minutter.
7. Børst brent mat og smuss av med en rensbørste beregnet for griller (A).
8. Smør de rengjorte grillristene med matolje ved å f.eks. bruke kjøkkenpapir eller en matpensel.

**i** Ikke bruk en stålbørste som er beregnet på sveising for å rengjøre grillen, da den kan skade grillens overflater. Garantien dekker ikke skader som skyldes bruk av slike stålbørster.



## Fettskuff og -kopp

En skitten fettskuff er den vanligste årsaken til at fettbranner oppstår. Hvis du ser matbiter eller marinade i fettskuffen eller koppen, må du rengjøre skuffen/koppen umiddelbart ved å følge instruksjonene nedenfor. Fettskuffen skal ikke ha store pytter med fett.

1. Kontroller at grillen er slått av.
2. Ta fettskuffen/koppen ut av grillen.
3. Skrap av løs mat og fett med skraperen på grillrengjøringsbørsten eller en plastslippepot.
4. Vask fettskuffen/koppen med et mildt oppvaskmiddel.
5. Tørk fettskuffen/koppen, og sett den tilbake i grillen.

**i** Du kan gjøre rengjøringen enklere ved å bruke en folie på toppen av fettskuffen for å samle opp ekstra mat og fett. Når du rengjør skuffen, trenger du bare å fjerne den skitne folien.

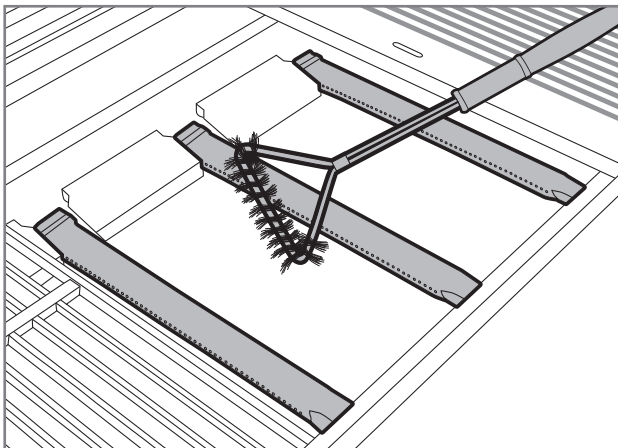
NO



## Grillens brennere

Grillens brennere er den viktigste delen av grillens funksjonalitet og oppvarming. Dette er grunnen til at du må sjekke rensligheten og tilstanden til brennerne regelmessig. Du må fjerne og kontrollere brennerne minst to ganger i året, spesielt når grillen har vært lagret i lang tid. De små hullene på brennerne tiltrekker seg insekter og edderkopper som lager reir i brennerne. Slike hindringer fører til at flammen brenner ujevnt og urent. Hindringer kan føre til at flammer blusses opp utenfor gassrøret, noe som kan gi alvorlig skade på grillen. Rengjør brennerne ved å følge instruksjonene nedenfor.

1. Kontroller at grillen er slått av.
2. Fjern grillristen og varmfordelingsplatene.
3. Fjern brenneren fra brannboksen ved å løsne monteringskruen. Skruen er vanligvis plassert bakerst på brennerne.
4. På noen grillmodeller må du også fjerne bakplaten på grillen for å fjerne brennerne.
5. Noen modeller kan også rengjøres selv når brennerne er på plass. Den viktigste delen er å kunne få tilgang til alle de små gasshullene.
6. Bruk rengjøringsbørsten av messing som er beregnet på griller for å rengjøre brenneroverflatene.
7. Kontroller at brennerhullene er åpne og rene. Du kan bruke en tynn ståltråd til dette.
8. Hvis brenneren er skadet eller korrodert, må du skifte den umiddelbart.
9. Kontroller samtidig at ventildysen er ren og intakt.
10. Sett de rengjorte brennerne tilbake i grillen.

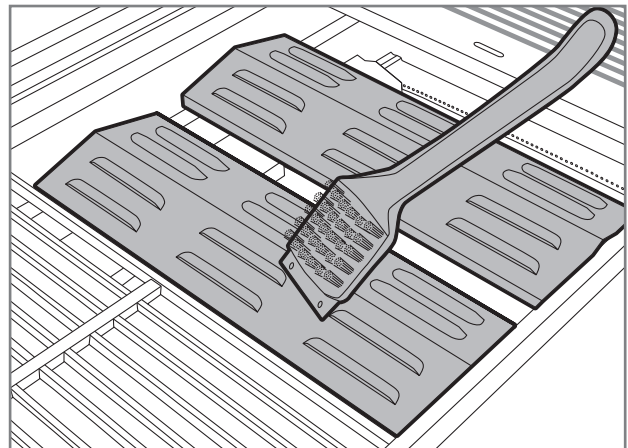


## Varmefordelingsplatene

Varmefordelingsplatene sprer varmen jevnt på grilloverflaten. Overflaten på varmfordelingsplatene samler også matrester og marinade. Skitne varmfordelingsplater reduserer grillens effektivitet. Rengjør varmfordelingsplatene ved å følge instruksjonene nedenfor.

1. Kontroller at grillen er slått av.
2. Fjern varmfordelingsplatene fra grillen.
3. Skrap maten av platenes overflate ved å bruke skraperdelen av rengjøringsbørsten eller en plastslippepott.
4. Til slutt børster du av skitt ved hjelp av en rengjøringsbørste i messing beregnet for griller.
5. Hvis du ønsker, kan du også vaske varmfordelingsplatene ved å bruke et mildt oppvaskmiddel.
6. Tørk varmfordelingsplatene og sett dem tilbake i grillen.

**i** Ikke vask varmfordelingsplatene i oppvaskmaskin.



## Andre grillkomponenter

i tillegg til de ovennevnte komponentene, har grillen også mange andre ståldeler som må rengjøres regelmessig. Du kan følge de generelle instruksjonene nedenfor for rengjøring av slike komponenter.

1. Rengjør ståldelene på grillen med Mustangs eget grillrengjøringsmiddel, Mustangs rengjøringsmiddel for rustfritt stål eller et mildt oppvaskmiddel og en klut.
2. Ikke glem å tørke de rengjorte delene grundig.
3. Ikke bruk rengjøringsmidler til å rengjøre kontrollpanelene og overflatene med varselsmerker, da de kan fjerne teksten eller andre etiketter.
4. Rengjør alle grillens ytre overflater minst tre ganger i året, slik at flekker ikke fester seg til overflatene.
5. Test alltid om et nytt vaskemiddel egner seg ved å påføre det på et lite synlig sted.

**i** **Klor og salt kan føre til at grillen ruster. Hvis grillen brukes i umiddelbar nærhet av sjøvann eller et basseng, må grillen rengjøres ukentlig.**

## Rengjøring av tredeler

Hvis grillen inneholder tredeler, må de rengjøres og vedlikeholdes på følgende måte:

1. Rengjør alle tredeler regelmessig ved å tørke av dem med en fuktig klut og mild såpe- og vannblanding.
2. Tørk de rengjorte overflatene forsiktig.
3. Behandle tredelene med allment tilgjengelig fargeløs treolje beregnet på utemøbler minst to ganger i året. Dette vil forhindre at tredelene tørker og sprekker.
4. Før selve behandlingen, test treoljen og eventuelle andre oljer på et lite iøynefallende område for å kontrollere egnetheten. Følg alltid produsentens anvisninger ved behandling av tredeler.

## Lagring

Gå gjennom disse instruksjonene dersom du f.eks. slutter å bruke grillen i en lang periode, eller du ønsker å sette bort grillen for vinteren. Riktig oppbevaring forlenger grillens levetid og holder den i drift i mange år. Følg instruksjonene nedenfor når du lagrer grillen

1. Rengjør grillen helt i henhold til instruksjonene i håndboken.
2. Slå på grillen og la den varmes opp i 15 minutter, slik at alle ståldeler tørker.
3. La grillen avkjøles.
4. Sørg for at alle grillrister er smurt.
5. Hvis du oppbevarer grillen utendørs, fjerner du brennerne, ristene, varmeristen og varmefordelingsplatene fra grillen. Disse delene må oppbevares på et tørt og varmt sted. Det anbefales også at du pakker disse delene inn i aviser eller lignende, slik at overflatene ikke får riper.
6. Fjern lavtryksregulatoren fra gassflasken.
7. Oppbevar alltid gassflasken utendørs og sørg for at den ikke utsettes for varme eller sollys.
8. Hvis grillen oppbevares utendørs, anbefales det at du kjøper en beskyttelse av høy kvalitet som dekker absolutt hele grillen. Sørg likevel for at luften kan sirkulere under beskyttelsen.

**i** **Ikke oppbevar grillen på et sted der det er fare for at snø fra taket kan falle ned på den. Garantien dekker ikke skader forårsaket av snø og is.**

NO

# Feilsøking

Det kan oppstå feil på alle griller. Disse funksjonsfeilene er vanligvis lette å løse. Hvis du ikke finner en løsning på problemet i tabellen nedenfor, kan du kontakte selgeren.

NO

Problem	Mulig årsak	Løsning
Gassen strømmer ikke.	Lavtrykksregulatoren er slått av.	Start gasstrømmen på lavtrykksregulatoren.
	Lavtrykksregulatoren er ikke riktig festet til gassflasken.	Fjern lavtrykksregulatoren og fest den forsiktig på nytt.
	Gassslangen eller trykkregulatoren er defekt.	Skift gassslangen eller trykkregulatoren og utfør lekkasjetesten.
Brenneren tennes ikke med en batteridrevet piezo.	Batteriet er tomt, eller det er ikke satt inn.	Bytt ut batteriet.
	Tennkablene er løse eller montert feil.	Kontroller tilkoblingene, og monter kablene på nytt.
	Tenneren er defekt.	Bytt ut tenneren.
Brenneren tennes ikke med en fyrstikk eller lighter.	Brennerens hull er blokkert.	Rengjør brennerne i henhold til instruksjonene.
	Brennerne er ikke ordentlig festet til ventilene.	Kontroller monteringen og tilstanden til brennerne.
Grillen varmes ikke ordentlig opp.	Lufttilførselen til brennerne er blokkerte.	Kontroller og rengjør brennerne.
	For lite gass.	Skift ut gassflasken.
	Gasstrømmen er blokkert.	Kontroller at gassslangen er intakt og ikke vridd.
Flammen er ujevn, helt gul eller produserer røyk.	Brennerne får ikke nok luft.	Rengjør brennerne i henhold til instruksjonene.
	Det er mat, salt eller marinade på brenneroverflaten.	Rengjør brennerne i henhold til instruksjonene.
Flammen blusser ofte opp eller temperaturen er for høy.	For mye fett og marinade på maten.	Tørk av eventuelt overflødig fett.
	Varmefordelingsplatene eller fettskuffen er for skitne.	Rengjør varmfordelingsplaten eller fettskuffen for matrester eller fett.
Flammen slukkes stadig.	Vinden er for sterk.	Flytt grillen bort fra vinden.
	Lavt gassnivå.	Skift ut gassflasken.
Flammene er synlige utenfor brennerne.	Noe som blokkerer brennerne.	Kontroller og rengjør brennerne.
	Sterk vind.	Flytt grillen bort fra vinden.
Trykkregulatoren suser eller summer.	Varm utetemperatur.	Ingen handlinger nødvendig. En forbigående tilstand.
	Full gassflaske.	



# Garanti

Denne Mustang gassgrillen har 10 års produksjons- og materialgaranti. Sjekk nettsiden vår for de nyeste garantivilkårene

**[mustang-grill.com](http://mustang-grill.com)**

For å kunne følge opp eventuelle garantisaker, må du ha en kvittering som angir kjøpssted og -dato.

NO



# MUSTANG

DA

**Samlings- og betjeningsinstruktioner**

---



# Velkommen til Mustangs grillverden

Vi er glade for, at du endte med at vælge en gasgrill fra Mustang. Mustang vil være sin grillmakker og sikre dig en grilloplevelse, du kun har drømt om. Mustang blev skabt ud fra ønsket om at opnå afslappet madlavning uden hastværk med familie og venner, og det er den idé, vi også gerne vil tilbyde dig.

Mustang-grill og -tilbehør er omhyggeligt designet og udført, og vi er stolte over af repræsentere dem. Vores lange erfaring og store ekspertise gennemsyrrer alle vores produkter. Det omfatter alle vigtige funktioner og egenskaber. Vi er sikre på, at denne grill giver dig lang tids fornøjelse, så længe du husker at vedligeholde og rengøre grillen i henhold til instruktionerne i denne manual.

## Det største udvalg af grillprodukter

Mustang er et mærke ejet af den finske virksomhed Tammer Brands Oy. Mustang tilbyder alle nødvendige apparater, artikler, tilbehør og reservedele til grillstegning samt et stort produktudvalg til rygning af madvarer og bagning af pizza. Vi kender grillkulturen både indefra og udefra, så vi kan sikre dig, at du får adgang til de mest velegnede og moderne produkter. Mustang er det eneste mærke, du har brug for, til en succesfuld grillaften.

DA

## Eftersalgsservice

Tammer Brands Oy,  
tlf. +358 3 252 1111  
Viinikankatu 36,  
33800 Tampere, Finland

**TAMMER**  
BRANDS | EST 1954

[mustang-grill.com](http://mustang-grill.com)



Læs manualen før brug af grillen,  
og gem den til senere brug.

Følg os på sociale medier



**mustanggrill**



# Indholdsfortegnelse

<b>Samlingsvejledning</b> .....	3
Inden du begynder at samle produktet .....	6
<b>Sikkerhedsinstruktioner og advarsler</b> .....	98
Placering af grillen .....	98
Gasrelaterede sikkerhedsinstruktioner .....	98
Generelle sikkerhedsinstruktioner .....	99
<b>Tilslutning af gas til grillen</b> .....	100
Oplysninger om flydende gas .....	100
Montering af gasslangen .....	100
Montering af lavtryksregulatoren .....	101
Test for lækager med flydende gas .....	101
<b>Brug af grillen</b> .....	102
Foranstaltninger før brug af produktet første gang .....	102
Foranstaltninger før hver brug .....	102
Tænding af brændere med en piezotænder .....	103
Tænding af brændere med en tændstik eller langhalset lighter .....	103
Tænding af brænderen til sideblusset .....	103
Slukning af brænderne .....	104
Knappositioner .....	104
Kontrol af flammerne .....	104
Flytning af flammer .....	104
Opblussende flammer .....	104

DA



<b>Nyttige tips</b> .....	105
Generelle instruktioner for grillstegning .....	105
Direkte og indirekte grillstegning .....	105
Indstillinger for direkte grillstegning .....	105
Indstillinger for indirekte grillstegning .....	105
Varmeniveauer for stegeområderne .....	106
Marinader .....	106
Forhindring af fastsiddende madvarer .....	106
Guide til grilltemperaturer .....	107
<b>Rengøring og opbevaring af grillen</b> .....	109
Grillriste .....	109
Fedtbakke og kop .....	109
Brændere .....	110
Varmefordelingsplader .....	110
Øvrige grillkomponenter .....	111
Rengøring af trædele .....	111
Opbevaring .....	111
<b>Fejlfinding</b> .....	112
<b>Garanti</b> .....	113

DA





## Sikkerhedsinstruktioner og advarsler

Når du begynder at bruge denne gasgrill, forpligter du dig til at læse og være opmærksom på advarsler og sikkerhedsinstruktioner i denne manual, før du bruger grillen. Denne grill er CE mærket i henhold til gældende regler.

Symbolforklaring:



FARE!



BEMÆRK!

DA

### Placering af grillen



Denne grill er udelukkende beregnet til brug udendørs. Den må aldrig anvendes indendørs eller i lukkede rum. Observer nedenstående ting.

- Brug udelukkende grillen udendørs.
- Undlad at bruge grillen op ad en væg, i en garage, campingvogn eller anhænger eller i et andet lukket rum eller indendørs.
- Sørg for, at der er mindst én meters fri afstand på hver side af grillen og over den.
- Sørg for at have et brandtæppe/ildslukker og et førstehjælpssæt ved hånden i nærheden af grillen.
- Undlad at placere grillen på eller i nærheden af følsomme overflader, da fedt og marinade kan spildes og sprøjte ud fra grillen ved normal brug.
- Sørg for, at både grillen og gasflasken står på en vandret overflade.

### Gasrelaterede sikkerhedsinstruktioner



Kun en servicevirksomhed autoriseret til gasinstallationer må vedligeholde og justere grillens primære ventiler, dyser og gashaner. Observer nedenstående ting.

- Luk altid for gastilførslen fra gasflasken efter brug, og afmonter lavtryksregulatoren fra flasken.
- Håndter gasflasken med flydende gas forsigtigt. Undlad at tabe eller slå på den. Undlad at opbevare gasflasker med flydende gas på steder, hvor temperaturen kan overstige +50 °C.
- Inspicer altid gasslangens tilstand før brug.
- Foretag regelmæssigt en lækagetest i henhold til instruktionerne. Du skal især foretage lækagetesten, hvis grillen har været ubrugt i længere tid, eller hvis du har skiftet gasflasken, trykregulatoren eller slangen.
- Hvis du fornemmer en stærk gaslugt, skal du omgående lukke for gastilførslen og sætte alle knapper på OFF. Derefter skal du åbne grilllåget, udføre lækagetesten og udbedre tilslutningerne. Hvis du ikke kan finde en fejl, skal du kontakte et servicefirma eller en forhandler.
- Brug aldrig åben ild til at teste for gaslækager.
- Undlad af afmontere gasslangen eller lavtryksregulatoren, mens grillen er i brug.



## Generelle sikkerhedsinstruktioner



**Brug af grillen til andre formål end de tilsigtede kan udgøre en risiko. Strukturelle ændringer af grillen, selv minimale ændringer, er ikke tilladt. Observer nedenstående ting.**

- Følg samlevejledningen omhyggeligt, og sørg for, at ingen dele er til overs efter samling. Hvis du ikke følger vejledningen eller ikke har monteret alle dele, kan der opstå problemer ved brug af grillen. Det er brugerens ansvar at samle grillen korrekt.
- Læs manualen før brug af grillen, og gem den til senere brug.
- Grillen bliver varm ved brug, så vær opmærksom, hvis der er børn, ældre mennesker eller kæledyr i nærheden af grillen.
- Opbevar aldrig brændbare materialer, væsker eller gasflasker, der ikke er tilsluttet grillen, i umiddelbar nærhed af grillen.
- Undlad at læne dig ind over grillen, når du tænder den.
- Undlad at efterlade grillen uden opsyn, mens den er i brug.
- Undlad at flytte grillen, mens den er i brug.
- Brug grillhandsker ved brug af grillen.
- Sørg for, at grillens bund, fedtbakke, varmfordelingsplader og brændere er rengjort for fedt og marinade.
- Undlad at bruge grillen, hvis den ikke fungerer normalt.
- Lad ikke børn bruge grillen.
- Alkohol, receptpligtig medicin og rusmidler af enhver art kan påvirke brugerens evne til at betjene grillen på en sikker og korrekt måde.

DA

# Tilslutning af gas til grillen

## Oplysninger om flydende gas

Før du kan bruge grillen, skal du købe en gasflaske, en lavtryksregulator og en gasslange. **De følger ikke med grillen.**

Gassen i en gasflaske (LPG) er en ekstrem brændbar væske, der opbevares i en gasflaske under tryk. Gasflasker får i forskellig størrelse, f.eks. 5, 10 eller 11 kg. Sørg for, at din gasflaske ikke er bulet eller rusten, og at ventilen ikke er beskadiget. Bær og transporter altid gasflasker opretstående og sikkert fastgjorte. Til husstandsbrug må en gasflaske have en maksimal højde på 615 mm og en diameter på 310 mm.

Gassen ledes fra flasken til grillen gennem en lavtryksregulator og en slange. Lavtryksregulatoren hjælper med til, at gassen flyder ensartet til grillen.

## Montering af gasslangen

1. Kontrollér gasslangens stand.
2. Sørg for, at alle betjeningsknapper på grillen er drejet til OFF.
3. Sørg for, at grillens slangekobling er tilstrækkeligt fastgjort (A).
4. Sæt gasslangen længst muligt ind i slangekoblingen (B).
5. Fastgør slangen til slangekoblingen med en slangeklemme (C).
6. Isæt den anden ende af gasslangen i slangekoblingen på lavtryksregulatoren (D).
7. Fastgør slangen til slangekoblingen med en slangeklemme (E).

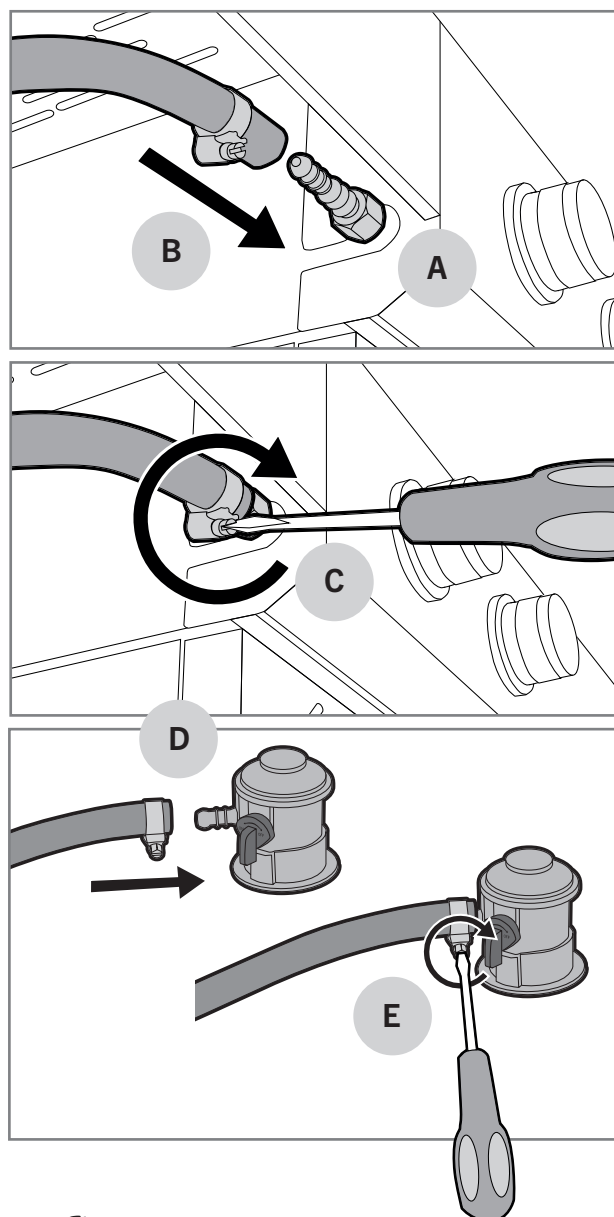
DA

**!** Trykregulatoren, der monteres på gasflasken, må ikke kunne justeres, og dens driftstryk skal være 30 mbar.

**!** Længden af gasslangen må højst være 1.2 m, og dens tykkelse højst 10 mm.

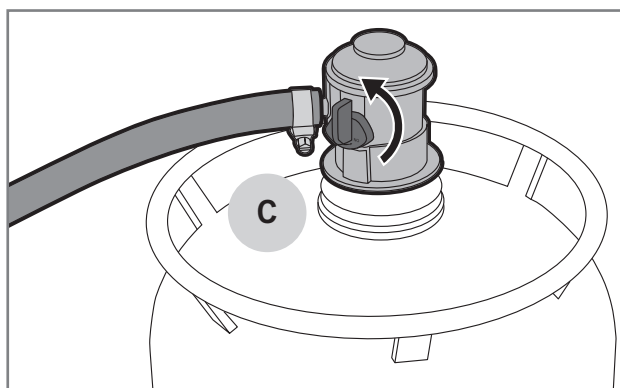
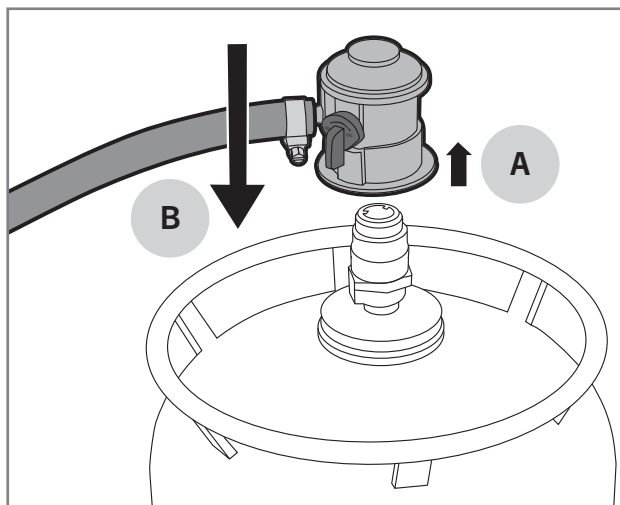
**i** Trykregulatoren skal være fremstillet i henhold til EN16129-standarden. I trykregulatoren er driftstrykket afmærket i henhold til det nominelle tryk, 29 mbar.

**i** Gasslangen skal være fremstillet i henhold til EN16436-standarden.



## Montering af lavtryksregulatoren

1. Kontrollér lavtryksregulatorens stand.
2. Monter lavtryksregulatoren på gasflasken ved at trække låseringen opad (A) og samtidigt trykke regulatoren ned mod cylinderen (B).
3. Fastgør regulatoren ved at trække hårdt op i regulatoren.
4. Åbn langsomt for gassen fra regulatoren, så trykket kan udjævnes (C).



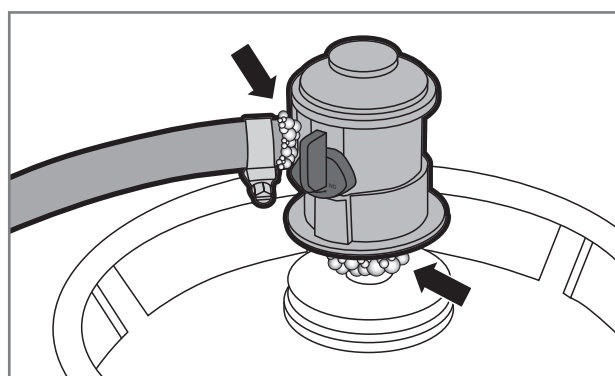
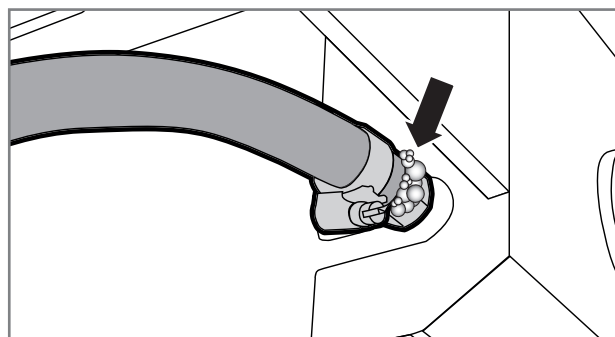
## Test for lækager med flydende gas

Inspektionen af potentielle gaslækager skal foretages, hver gang gasflasken, regulatoren eller slangen udskiftes. Lækagetesten skal desuden foretages regelmæssigt en gang om året og især efter opbevaring i længere tid. Foretag lækagetesten ved at følge nedenstående instruktioner.

1. Åbn låget til grillen, og sørg for, at betjeningsknapperne til brænderne er drejet til OFF.
2. Åbn lavtryksregulatoren.
3. Væd alle ventiler, slangetilslutninger, regulator-tilslutninger, gasflasketilslutninger og svejse-sømme med en sæbevandsopløsning (30 % opvaskemiddel eller flydende sæbe og 70 % vand). Du kan væde delene ved at pensle eller spraye dem.
4. Hold nøje øje med, om der forekommer bobler. Bobler er tegn på en lækage.
5. Hvis der forekommer bobler, skal du lukke for gastilførslen og fastspænde tilslutninger på de steder, hvor boblerne er.
6. Hvis boblerne forekommer midt på slangen eller ved gasflasken, skal du udskifte den berørte del.
7. Åbn for gassen, og foretag lækagetesten igen.
8. Skyl sæbevandet af med rent vand for at forhindre korrosion.



**Du må ikke bruge grillen, hvis du ikke er i stand til at reparere gaslækagerne. I de tilfælde skal du frakoble trykregulatoren fra gasflasken og kontakte service-/salgsfirmaet.**





DA

# Brug af grillen

## Foranstaltninger før brug af produktet første gang

Efter lækagetesten skal det fedtstof, der er anvendt ved opbevaring på fabrikken, afbrændes fra grillen, før den kan bruges. Du kan afbrænde opbevaringsfedtet ved at følge nedenstående instruktioner.

1. Åbn grillens låg, og tænd for alle brændere i henhold til tændingsinstruktionerne.
2. Indstil alle brændere til , og lad dem brænde i 5 minutter med låget åbent.
3. Luk låget, og hold brænderne på  i 10 minutter.
4. Sluk for brænderne, og luk for gassen.
5. Lad grillen afkøle i 15 minutter.
6. Rengør grillristene med en grillrengøringsbørste.
7. Smør grillristene med madlavningsolie.

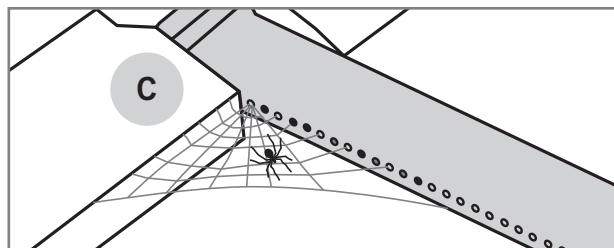
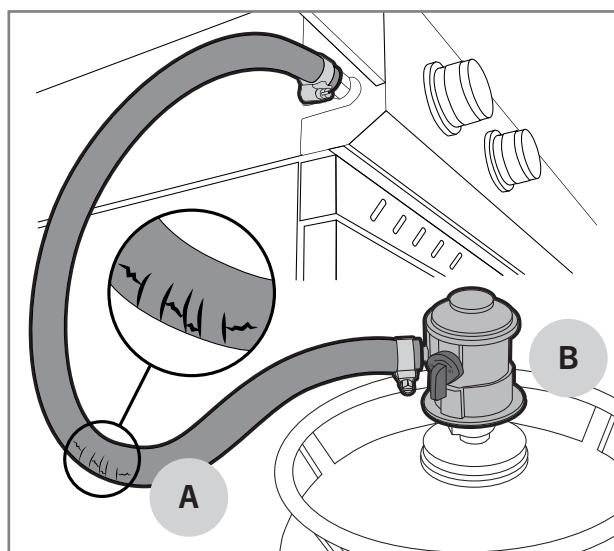
**i** Ved afbrænding af opbevaringsfedtet kan grillen afgive ubehagelig røg. Dette er normalt: røgen forsvinder, når opbevaringsfedtet er afbrændt.

## Foranstaltninger før hver brug


For at betjene grillen sikkert og korrekt skal du foretage en række kontrolpunkter før hver brug. Gå omhyggeligt gennem nedenstående tjekliste.







1. Kontrollér, at grillen er placeret korrekt, og at der ikke er brændbare materialer eller væsker i umiddelbar nærhed af grillen.
2. Kontrollér, at gasslangen ikke er revnet eller i stykker (A).
3. Kontrollér, at lavtryksregulatoren er forsvarligt fastgjort (B).
4. Kontrollér, at grillens bund, fedtbakke, varmfordelingsplader og brændere er rengjort for fedt og marinade. Ved at gøre dette kan du forhindre en fedtrelateret brand.
5. Kontrollér, at brænderhullerne ikke er blokerede af insektreder eller edderkoppespind (C).
6. Kontrollér, at der ikke sidder børstehår fra grillbørster fast i grillen eller grillristene.

**!** Undlad at bruge grillen, hvis gasslangen er beskadiget, eller hvis grillen mangler dele.

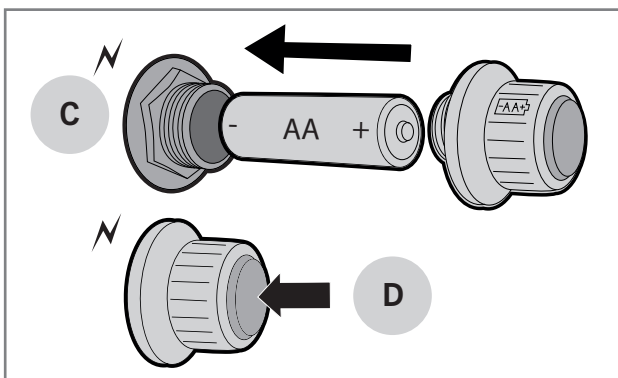
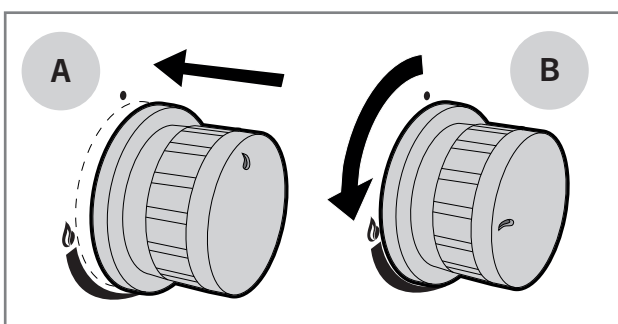


## Tænding af brændere med en piezotænder




Generelt tændes brænderne men enten en indbygget piezotænder i en betjeningsknap eller en batteridrevet piezotænder. Hver brænder har sin egen betjeningsknap. Du kan starte tændingen via betjeningsknappen med lynsymbolet . Du kan tænde brænderen ved at følge nedenstående instruktioner.

1. Åbn grillens låg.
2. Åbn for gassen via lavtryksregulatoren.
3. Tryk betjeningsknappen til brænderen ind (A), og indstil den til  (B). Den integrerede piezotænder i betjeningsknappen tænder for brænderen.
4. Hvis grillen bruger en batteridrevet piezotænder (C), skal du kontrollere, at batteriet er isat korrekt. Hold piezoknappen (D) inde, indtil grillbrænderen tændes.
5. Indstil brænderens flamme til en passende effekt mellem  og .
6. Når første brænder er tændt, kan du tænde for de resterende brændere i rækkefølge ved at dreje betjeningsknappen mod uret til .
7. Indstil brænderens flamme til en passende effekt mellem  og .

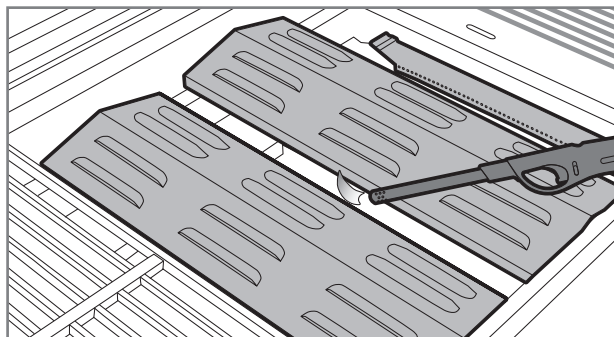
**i** Hvis brænderen ikke tændes, skal du dreje betjeningsknappen til OFF og vente i 5 minutter, før du igen forsøger at tænde for brænderen. Hvis du ikke kan tænde for brænderen via piezotænderen, kan du forsøge at tænde for brænderen med en lang tændstik eller en langhalset lighter.






## Tænding af brændere med en tændstik eller langhalset lighter

1. Åbn grillens låg.
2. Åbn for gassen via lavtryksregulatoren.
3. Tænd en lang tændstik eller langhalset lighter.
4. Tryk betjeningsknappen til brænderen ind, og drej den til .
5. Placer en lang tændstik eller langhalset lighter ca. en centimeter fra brænderen.
6. Når første brænder er tændt, kan du tænde for de resterende brændere i rækkefølge ved at dreje betjeningsknappen mod uret mellem  og .

**i** Hvis brænderen ikke tændes inden for fem sekunder, skal du dreje betjeningsknappen til OFF og prøve at finde en løsning via fejlfindingstabellen.



## Tænding af brænderen til sideblusset

1. Åbn låget til sideblusset.
2. Tryk betjeningsknappen til brænderen ind, og drej den til . Den integrerede piezotænder i betjeningsknappen tænder for brænderen.
3. Hvis grillen er udstyret med en batteridrevet piezotænder, skal du holde piezoknappen inde, indtil brænderen tændes.
4. Indstil brænderens flamme til en passende effekt mellem  og .

**i** Hvis brænderen ikke tændes, skal du dreje betjeningsknappen til OFF og vente i 5 minutter, før du igen forsøger at tænde for brænderen. Hvis du ikke kan tænde for brænderen via piezotænderen, kan du forsøge at tænde for brænderen med en lang tændstik eller en langhalset lighter.

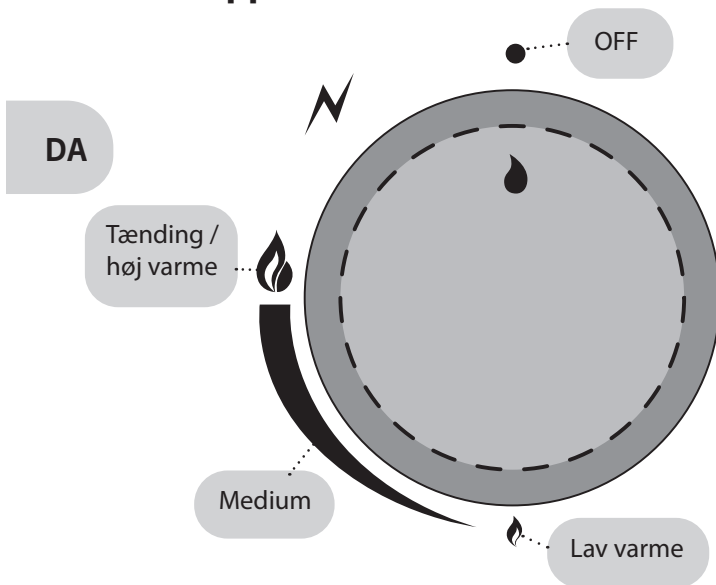
DA



## Slukning af brænderne

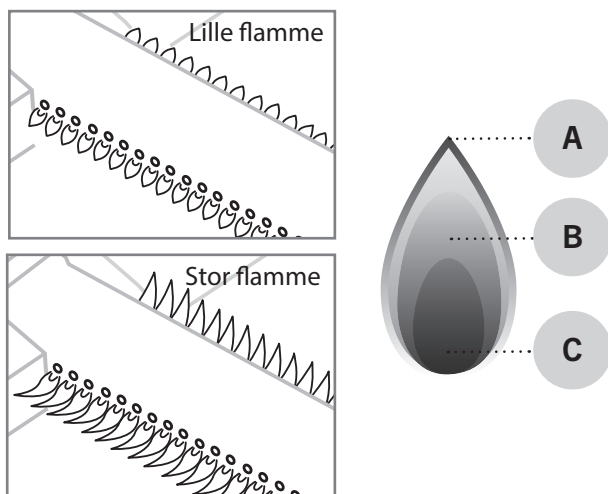
1. Sluk for gassen via lavtryksregulatoren for at sikre, at der ikke forbliver gas i grillen eller gas-slangen.
2. Drej betjeningsknappen til OFF-stillingen.
3. Luk grillens låg.
4. Afmonter trykregulatoren fra gasflasken.

## Knappositioner



## Kontrol af flammerne

Kontrollér altid flammen, når du tænder for grillen. Brænderne er optimeret fra fabrikens side, men de små huller i dem tiltrækker insekter, der kan bygge rede og lave spind i brænderne. Når brænderne brænder korrekt, er spidsen af flammen lejlighedsvis gul (A), og flammens farve ændres fra lyseblå (B) til mørkeblå fra top mod bund (C).



**i** Hvis flammen ikke brænder korrekt, skal du kontrollere og rengøre brænderen. Hvis brænderen er beskadiget, skal den udskiftes, før du igen benytter grillen.

## Flytning af flammer

I blæst kan vinden flytte flammen fra brænderne til lufttilførselshullet, hvor flammen vil brænde under kontrolpanelet. Dette kan beskadige kontrolpanelet, betjeningsknapperne eller ventilerne. Flammen afgiver desuden en usædvanlig lyd, hvis den flyttes, så hvis du hører en summende lyd eller lignende, skal du gøre følgende:

1. Luk for gassen via lavtryksregulatoren.
2. Drej alle betjeningsknapper til OFF.
3. Åbn grillens låg.
4. Afmonter trykregulatoren fra gasflasken.
5. Flyt grillen til et sted i ly for vinden.

**i** Garantien dækker ikke skader forårsaget af en flyttet flamme.

## Opblussende flammer

Lejlighedsvis opblussen af flammer er en normal reaktion i en gasgrill. Det tilfører også smag til maden. Hvis flammen ofte blusser op, øges grillens indvendige temperatur, og der drypper mere fedt fra den grillede mad. Derved øges risikoen for en fedtrelateret brand. Derfor bør opblussende flammer forhindres via foranstaltninger foretaget på forhånd.

1. Fjern ekstra fedt fra kødet, før det grilles.
2. Forsøg at grille kød med den rette temperatur.
3. Kontrollér, at der ikke er overskydende fedt eller stykker af mad i fedtbakken.
4. Sørg for, at varmfordelingspladerne er fri for fedt.
5. Grill mest muligt med låget lukket.

**i** Når du griller med låget lukket, er grillens temperatur mere jævnt fordelt, og der forbruges mindre gas. Det lukkede låg hjælper også med at bibeholde fugten inde i grillen, så maden ikke så nemt bliver tør.



# Nyttige tips

## Generelle instruktioner for grillstegning

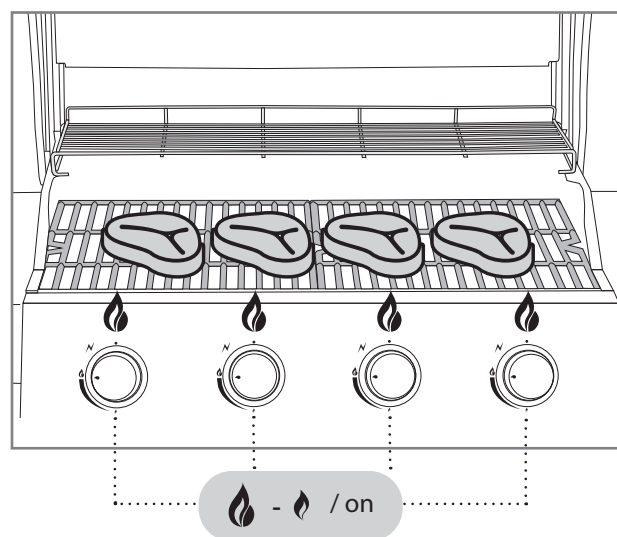
Grillstegning er meget nemt og afslappende, når du overholder nogle få regler og bruger disse generelle grillinstruktioner.

- Grillen skal opvarmes korrekt. Når ristene er tilstrækkeligt varme, er maden mindre tilbøjelig til at klæbe fast til dem, og maden får en korrekt grillet overflade.
- Undlad at grille med tilsmudsede dele. Gammel marinade og madrester klæber nemt fast til risten og maden. Rengør grillen og ristene efter hver brug. På den måde er de klar til næste grillstegning.
- Sørg for, at alt nødvendigt tilbehør, f.eks. krydderier, marinader og tallerkner er inden for rækkevidde, før du begynder grillstegning.
- Grill mest muligt med låget lukket. Når du griller med låget lukket, sænkes grillens temperatur ikke unødvendigt, og grillstegningen sker hurtigere.
- Vend kødet mindst muligt; en enkelt gang er nok. Når maden får lov til langsomt at blive stegt på grillen/risten, får den en perfekt stegt overflade.
- Brug et termometer! Hvis du grillsteger maden for længe, bliver den tør og mister smag. Du opnår det bedste resultat, hvis du bruger et kødtermometer.
- Lad kødet hvile 10-20 minutter, før du skærer/ serverer det. Mens kødet hviler, bliver temperaturen mere jævnt fordelt, og kødsaften løber ikke unødigt ud, når du skærer i kødet.

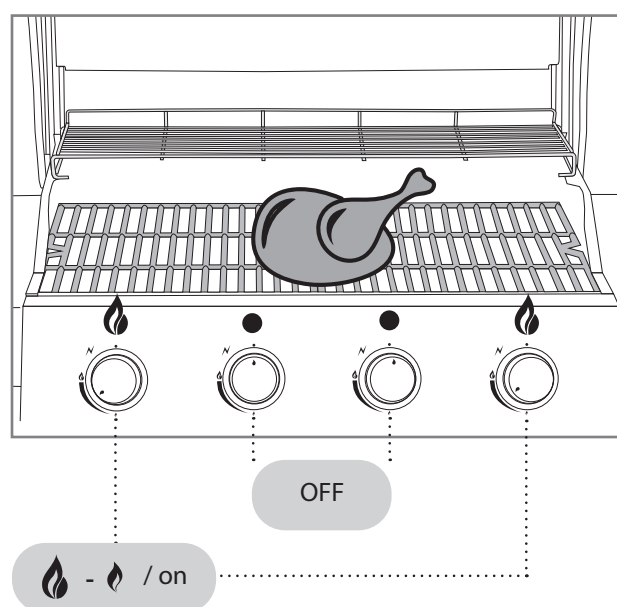
## Direkte og indirekte grillstegning

Med en gasgrill med flere brændere kan du gøre brug af direkte og indirekte grillstegning. Generelt grillstes mindre og blødere madvarer ved direkte varme. Indirekte grillstegning anvendes til større madvarer, der skal steges længere, f.eks. hele stege, kyllinger og fisk. Indirekte grillstegning anvendes også til forberedelse af kødstykker, der har fået en grillet overflade via direkte varme. Se vejledningen for grillstegning ved direkte og indirekte varme nedenfor.

### Indstillinger for direkte grillstegning



### Indstillinger for indirekte grillstegning



DA

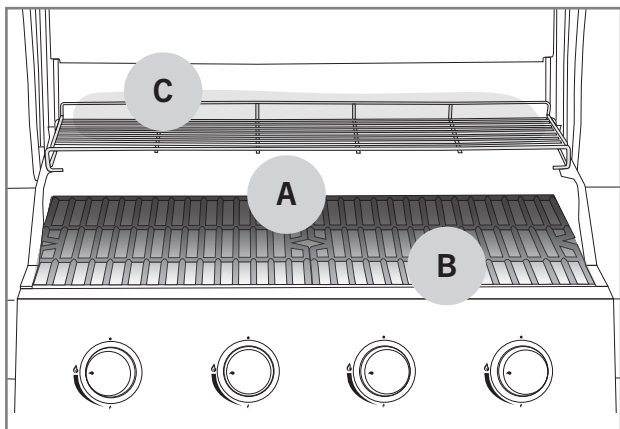


## Varmeniveauer for stegeområderne

Konventionelle og almindelige gasbrændere (rør-/pladebrændere) får grillstegningsområdet til at have en ujævn temperatur. Det skal ses som en egenskab frem for en fejl. Den generelle regel er, at bagsiden af grillstegningsområdet (A) er varmere end forsiden (B). Det køligere område foran skyldes venturirøret tilsluttet brænderen. I dette rør blandes gas og luft til en substans, der er egnet til grillstegning. Flammen brænder ikke den indvendige side af venturirøret.

Mustang tilbyder også gasgrillmodeller, hvor grillstegningsoverfladen har et mere jævnt temperaturområde. Disse grill bruger U-brændere eller separate brændere, hvor venturirøret er placeret i midten af brænderen. Takket være denne løsning brænder flammen også forrest på brænderen.

Varmeristen bagest i grillen (C) er køligere, så du kan bruge det til at holde maden varm eller stege den langsomt med indirekte varme.



## Marinader

Brug af marinade er meget udbredt ved grillstegning. Formålet er at give det grillede kød smag. Men marinader kan også få kød til at klæbe fast til ristene. Tilsvarende kan marinade dryppe ned på brændere og få flammen til at blusse op eller endda forårsage en fedtrelateret brand. Med disse få tips kan du reducere problemerne forårsaget af marinader.

1. Forsøg at aftørre overskydende marinade af maden, før den lægges på grillen.
2. Hvis du tilføjer marinade under grillstegningen, skal du altid bruge en madlavningsspensel. Undlad at hælde marinade på maden direkte fra en flaske.
3. Du kan evt. bruge "dry rubs" under grillstegningen.

**i** Undlad at anvende overskydende marinade fra klargøring af rå kød på tilberedt mad. I dette tilfælde overføres bakterier fra det rå kød til den tilberedte mad.

## Forhindring af fastsiddende madvarer

Mad, der klæber til grillen eller risten er et almindeligt fænomen for alle grillmestre. Her er et par tips til at undgå fastklæbning til en vis grad.

1. Husk at forvarme grillen, så den er tilstrækkelig varm.
2. Rengør ristene. før du lægger madvarer på grillen.
3. Smør olie på grilloverfladen og maden, der skal grilles, før den lægges på grillen.
4. Undlad at vende kødet på grillen for hurtigt, men lad overfladen blive grillet tilstrækkeligt først.

## Guide til grilltemperaturer

Nedenfor findes en liste med vejledende grillstegningstider og temperaturer for de mest almindelige ingredienser. Forhold, som f.eks. vind, regn, udendørstemperatur og grillens rengøringsstand, kan påvirke den nødvendige tid.



### Oksekød

Ingrediens	Tykkelse/vægt	Grillstegningsmetode	Grillstegningstid
Mørbradbøf/oksefilet	ca. 2 cm.	Direkte høj varme	2,5-3,5 min. pr. side
Mørbradbøf/oksefilet	ca. 5 cm.	Direkte høj varme Indirekte medium varme	2,5 min. pr. side 8-10 min.
Hel mørbrad	ca. 1,5 kg	Direkte høj varme Indirekte medium varme	3 min. pr. side 20-30 min.
Roastbeef	ca. 1,5 kg	Direkte medium varme Indirekte medium varme	3-4 min. pr. side 30-40 min.
Hamburgerfars	ca. 2 cm.	Direkte høj varme	2-3 min. pr. side
Indvendig temperatur			
Rød – næsten rød		47-51 °C	
Medium		52-58 °C	
Stegt – gennemstegt		59-66 °C	

DA



### Svinekød

Ingrediens	Tykkelse/vægt	Grillstegningsmetode	Grillstegningstid
Svinefilet, kotelet	ca. 2 cm.	Direkte høj varme	2-2,5 min. pr. side
Mørbrad	ca. 600 g	Direkte høj varme Indirekte medium varme	3 min. pr. side 20-30 min.
Spareribs	ca. 1,5 kg	Indirekte medium varme Direkte høj varme	60-90 min. 4 min. pr. side
Svinekam	ca. 3 cm.	Direkte medium varme Indirekte medium varme	2,5-3 min. pr. side 15-20 min.
Rå medisterpølse	ca. 400 g	Direkte lav varme	2-3 min. pr. side
Indvendig temperatur			
Filet, gennemstegt		65-70 °C	
Andre ingredienser, gennemstegt		65-70 °C	



## Kylling og kalkun

Ingrediens	Tykkelse/vægt	Grillstigningsmetode	Grillstigningstid
Brystfilet	ca. 200 g	Direkte medium varme	5-6 min. pr. side
Lår	ca. 120 g	Direkte medium varme	5-6 min. pr. side
Kyllingevinger	ca. 500 g	Direkte medium varme Indirekte medium varme	6-10 min. 30-40 min.
Hel kylling	ca. 900 g	Indirekte medium varme	60-75 min.
Indvendig temperatur			
Gennemstegt		75 °C	

DA



## Fisk

Ingrediens	Tykkelse/vægt	Grillstigningsmetode	Grillstigningstid
Tynd filet	ca. 200 g	Direkte medium varme	2-3 min. pr. side
Tyk filet	ca. 120 g	Direkte medium varme	5-6 min. pr. side
Hel fisk	ca. 500 g	Indirekte medium varme	20-30 min.
Indvendig temperatur			
Rosastegt		45-50 °C	
Gennemstegt		55-60 °C	



## Grøntsager


Ingrediens	Tykkelse/vægt	Grillstigningsmetode	Grillstigningstid
Grillet majs		Direkte medium varme	6 min.
Tomat		Direkte medium varme	6 min. pr. side
Asparges		Direkte medium varme	3-5 min.
Kartoffelskive		Direkte medium varme Indirekte medium varme	5-8 min. 10-15 min.
Rå kartoffel		Indirekte medium varme	45-60 min.

# Rengøring og opbevaring af grillen

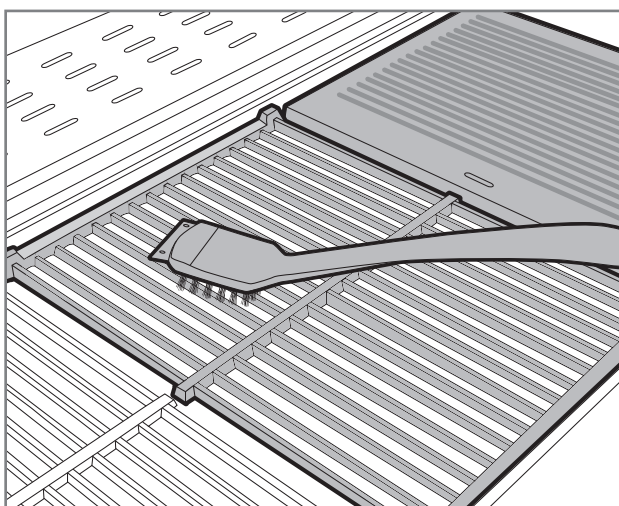
Du kan forlænge grillens levetid markant, hvis du rengør og vedligeholder den regelmæssigt. Hvis grillen ikke varmes tilstrækkeligt op, eller hvis maden klæber meget til ristene, er grillen ikke rengjort eller vedligeholdt som angivet. Foretag følgende vedligeholdelse efter hver brug.

## Grillriste

Hvis der klæber madrester eller marinade på grillen eller risten, skal du gøre følgende:

1. Kontrollér, at grillen er slukket.
2. Fjern løse madrester og fedt fra overfladerne med f.eks. køkkenrulle.
3. Tænd for grillen som angivet, og indstil brænderne til .
4. Luk låget, og lad grillen varme op i 5–10 minutter.
5. Sluk for grillen, og åbn låget.
6. Lad grillen afkøle i ca. 10 minutter.
7. Børst brændte madrester og snavs væk men en grillrensebørste (A).
8. Smør de rengjorte grillriste ind i madlavningsolie med f.eks. køkkenrulle eller en madlavningspensel.

**i** Undlad at bruge en stålbørste beregnet til svejsning til rengøring af grillen, da det kan beskadige grillens overflader. Garantien dækker ikke skader forårsaget af en sådan stålbørste.



## Fedtbakke og kop

En ikke-rengjort fedtbakke er den mest almindelige årsag til en fedtrelateret brand. Hvis du kan se madrester eller marinade i fedtbakken eller koppen, skal du omgående rengøre fedtbakken/koppen via nedenstående instruktioner. Fedtbakken må ikke indeholde plamager af fedt.

1. Kontrollér, at grillen er slukket.
2. Tag fedtbakken/koppen ud af grillen.
3. Skrab løse madrester og fedt af ved hjælp af skraberens på grillbørsten eller en paletkniv af plast.
4. Vask fedtbakken/koppen i mildt opvaskevand.
5. Tør fedtbakken/koppen, og sæt den tilbage i grillen.

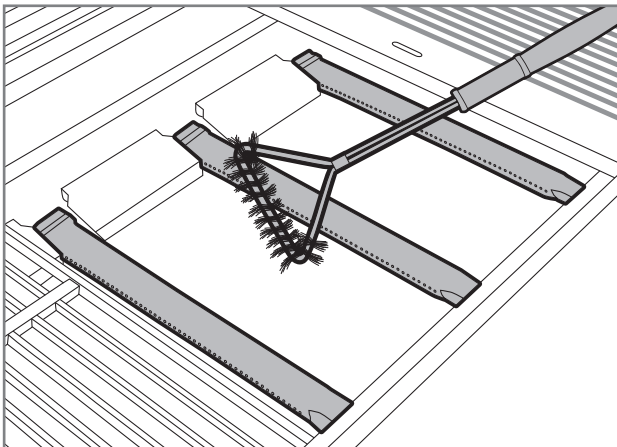
**i** Du kan lette rengøringen ved at bruge stanniolen oven på fedtbakken til at opsamle overskydende madrester og fedt. Ved rengøring af bakken skal du derved blot fjerne stanniolen.

DA

## Brændere

Grillens brændere er den vigtigste del til grillens funktionalitet og opvarmning. Det er derfor, du skal kontrollere, at de er rene, og deres stand regelmæssigt. Du skal afmontere og kontrollere brænderne mindst to gange om året, især hvis grillen har været opbevaret i længere tid. De små huller i brænderne tiltrækker insekter og edderkopper, der kan bygge rede i brænderne. Sådanne blokeringer får flammen til at brænde ujævnt og urent. Blokeringer kan få flammen til at blusse op uden for gasrøret, hvilket kan beskadige grillen alvorligt. Rengør brænderne ved at følge nedenstående instruktioner.

1. Kontrollér, at grillen er slukket.
2. Afmonter grillristene og varmfordelingspladerne.
3. Afmonter brænderen fra ildboksen ved at løsne monteringskruen. Skruen er normalt placeret ved bagenden af brænderne.
4. På visse grillmodeller kræver brænderne, at du også afmonterer grillens bagplader.
5. Visse modeller kan også rengøres selv med brænderne monteret. Det vigtigste er, at der er adgang til alle de små gashuller.
6. Brug en messingbørste til grillrengøring til at rengøre brændernes overflader.
7. Sørg for, at hullerne er åbne og rene. Du kan bruge en tynd wire til formålet.
8. Hvis brænderen er beskadiget eller meget korroderet, skal den omgående udskiftes.
9. Kontrollér samtidigt, at ventildysen er ren og intakt.
10. Sæt de rengjorte brændere tilbage i grillen.

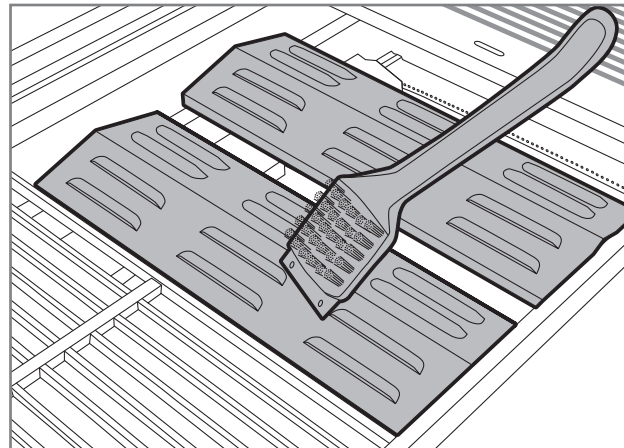


## Varmefordelingsplader

Varmefordelingspladerne fordeler varmen jævnt på grilloverfladen. Varmefordelingspladernes overflade opsamler desuden madrester og marinade. Snavsede varmfordelingsplader mindsker grillens effektivitet. Rengør varmfordelingspladerne ved at følge nedenstående instruktioner.

1. Kontrollér, at grillen er slukket.
2. Afmonter varmfordelingspladerne fra grillen.
3. Skrab madrester af pladernes overflade ved hjælp af skraberens på grillbørsten eller en paletkniv af plast.
4. Børst til slut snavs af med en messingbørste til grillrengøring.
5. Hvis du vil, kan du også vaske varmfordelingspladerne i vasken med et mildt opvaskemiddel.
6. Tør varmfordelingspladerne, og sæt dem tilbage i grillen.

**i Undlad at vaske varmfordelingspladerne i en opvaskemaskine**





## Øvrige grillkomponenter

Udover ovennævnte komponenter indeholder grillen også mange andre ståldele, der skal rengøres regelmæssigt. Du kan følge de generelle instruktioner nedenfor ved rengøring af disse komponenter.

1. Rengør grillens ståldele med Mustang-grillrengøringsmiddel, Mustang-rengøringsmiddel til rustfrit stål eller et mildt opvaskemiddel og en klud.
2. Glem ikke at tørre de rengjorte dele omhyggeligt.
3. Undlad at bruge rengøringsmidler til rengøring af kontrolpaneler og overflader med advarselsmærkater, da det kan fjerne teksten eller andre mærkater.
4. Rengør alle grillens udvendige flader mindst tre gange om året, så stænk, ikke klæber fast til overfladerne.
5. Test altid egnetheden af et nyt rengøringsmiddel på et ikke-synligt sted.

**i** **Klorforbindelser og salt kan få grillen til at ruste. Hvis grillen anvendes i umiddelbar nærhed af havvand eller en swimmingpool, skal den rengøres hver uge.**

## Rengøring af trædele

Hvis grillen har trædele, skal de rengøres og vedligeholdes på følgende vis:

1. Rengør alle trædele med jævne mellemrum ved at tørre dem af med en fugtig klud og en mild sæbevandsblanding.
2. Tør de rengjorte overflader omhyggeligt.
3. Trædelene skal behandles med almindelig farveløs træolie til havemøbler mindst to gange om året. Dermed forebygges det, at trædelene tørrer ud og slår revner.
4. Inden behandlingen udføres, skal du teste træolien og alle andre midler på et lille område, der ikke kan ses, for at sikre dig at de egner sig til formålet. Følg altid producentens anvisninger, når du behandler trædele.

## Opbevaring

Gennemgå disse instruktioner, hvis du holder op med at bruge grillen i længere tid, eller hvis du vil opbevare grillen f.eks. vinteren over. Korrekt opbevaring forlænger grillens levetid og holder den anvendelig i mange år. Ved opbevaring af grillen skal du følge nedenstående instruktioner

1. Rengør grillen helt i henhold til instruktionerne i manualen.
2. Tænd for grillen, og lad varme op i 15 minutter, så alle stål dele er tørre.
3. Lad grille afkøle.
4. Sørg for, at alle grillriste er indsmurt i olie.
5. Hvis grillen opbevares udendørs, skal du afmontere brændere, riste, varmerist og varmemefordelingsplader. Disse dele skal opbevares tørt og varmt. Det anbefales også, at du pakker disse dele ind i avispapir eller lignende, så overfladerne ikke bliver ridsede.
6. Afmonter trykregulatoren fra gasflasken.
7. Opbevar altid gasflasken udendørs, og sørg for, at den ikke er udsat for varme eller sollys.
8. Hvis grillen opbevares udendørs, anbefales det, at du køber et overtræk af god kvalitet, der dækker hele vejen ned. Sørg for, at luften kan cirkulere under overtrækket.

**i** **Undlad at opbevare grillen på et sted, hvor nedfaldende sne fra taget kan ramme den. Garantien dækker ikke skader forårsaget af sne og is.**

DA

# Fejlfinding

Der kan ske fejl på alle grilltyper. Disse fejl kan normalt nemt løses. Hvis du ikke kan finde en løsning på dit problem i nedenstående tabel, skal du kontakte sælgeren.

DA

Problem	Mulig årsag	Løsning
Gassen flyder ikke.	Lavtryksregulatoren er lukket.	Åbn for gassen via lavtryksregulatoren.
	Lavtryksregulatoren er ikke monteret korrekt på gasflasken.	Afmonter lavtryksregulatoren, og monter den omhyggeligt igen.
	Der er fejl på gasslangen eller trykregulatoren.	Afmonter lavtryksregulatoren, og monter den omhyggeligt igen.
Brænderen tændes ikke med den batteribetjente piezotænder.	Batteriet er dødt eller ikke installeret.	Skift batteriet.
	Tændingskablerne sidder løst eller er monteret forkert.	Kontrollér tilslutningerne, og monter kablerne igen.
	Tænderen er fejlbehæftet.	Udskift tænderen.
Brænderen tændes ikke med en tændstik eller langhalset lighter.	Brænderens huller er blokerede.	Rengør brænderne i henhold til instruktionerne.
	Brænderne er ikke monteret korrekt på ventilerne.	Kontrollér installationen og brændernes stand.
Grillen varmes ikke tilstrækkeligt op.	Lufttilførslen til brænderne er blokeret.	Kontrollér og rengør brænderne.
	For lidt gas.	Skift gasflasken.
	Gastilførslen er begrænset.	Kontrollér, at gasslangen er intakt og ikke snoet.
Flammen er ujævn, helt gul eller oser.	Brænderne modtager ikke tilstrækkelig med luft.	Rengør brænderne i henhold til instruktionerne.
	Der sidder madrester, salt eller marinade fast på brænderoverfladen.	Rengør brænderne i henhold til instruktionerne.
Flammerne blusser ofte op, eller temperaturen er for høj.	For meget fedtstof og marinade på maden.	Aftør overskydende fedt.
	Varmefordelingspladerne eller fedtbakken er for snavsede.	Rengør varmfordelingspladen eller fedtbakken for madrester eller fedt.
Flammen forbliver ikke tændt.	Det blæser for meget.	Flyt grillen væk fra vinden.
	Lav gasmængde.	Skift gasflasken.
Der er synlige flammer uden for brænderne.	Blokering i brænderne.	Kontrollér og rengør brænderne.
	Hård vind.	Flyt grillen væk fra vinden.
Trykregulatoren brummer eller summer.	Varm udendørstemperatur.	Ingen nødvendige handlinger. En midlertidig situation.
	Fuld gasflaske.	



# Garanti

Denne Mustang gasgrill er dækket af en 10 års garanti for materiale- og produktionsfejl. De gældende garanti-betingelser kan findes på vores hjemmeside

**[mustang-grill.com](http://mustang-grill.com)**

Ved håndtering af garantisager skal du bruge en købskvittering, der angiver sted og dato for købet.

DA





# MUSTANG

ET

Paigaldus- ja kasutusjuhend

---



# Tere tulemast Mustangi grillimaailma!

Meil on hea meel, et valisite Mustangi gaasigrilli. Mustangi soov on olla teie grillipartner ja pakkuda unelmate grillimiselamust. Mustang sai alguse soovist nautida kiirustamata, sundimatut toiduvalmistamist pere või sõprade seltsis ja sedasama kogemust soovime ka teile.

Mustangi grillid ja tarvikud on hoolikalt disainitud ja viimistletud, et võiksime nende üle uhkust tunda. Meie pikk kogemus ja ametioskused paistavad igast tootest, millel on olemas kõik olulised funktsioonid ja omadused. Oleme veendunud, et meie grill rõõmustab teid kaua aega, kui vaid peate meeles seda siinse kasutusjuhendi järgi hooldada ja puhastada.

## Kõige laiem grillimistoodete valik

Mustang on Soome ettevõtte Tammer Brands Oy kaubamärk. Mustang pakub kõiki grillimiseks vajalikke seadmeid, varuosi ja tarvikuid ning laia valikut tooteid suitsutamiseks ja pitsa küpsetamiseks. Oleme grillimiskultuuri asjatundjad, nii et saame garanteerida – meilt leiate täpselt õiged ja tänapäevased vahendid. Mustang on seega ainus kaubamärk, mida edukaks grillimiseks vajate.

ET

## Klienditeenindus

Tammer Brands Oy  
tel 03 252 1111  
Viinikankatu 36  
33800 Tampere, Soome

[mustang-grill.com](http://mustang-grill.com)

**TAMMER**  
BRANDS | EST 1954



Lugege kasutusjuhend enne grilli kasutuselevõttu läbi ja hoidke edaspidiseks alles.

Jälgige meid sotsiaalmeedias



**mustanggrill**

  
**MUSTANG**



# Sisukord

<b>Koostjuhised</b> .....	3
Enne kokkupanekut .....	6
<b>Ohutusnõuded ja hoiatused</b> .....	118
Grilli paigutamine .....	118
Gaasiga seotud ohutusnõuded .....	118
Üldised ohutusnõuded .....	119
<b>Gaasi ühendamine grilliga</b> .....	120
Üldist vedelgaasist .....	120
Gaasivooliku paigaldamine .....	120
Madalrõhuregulaatori paigaldamine .....	121
Vedelgaasi lekkekontroll .....	121
<b>Grilli kasutamine</b> .....	122
Enne esmast kasutuselevõttu .....	122
Enne iga kasutuskorda .....	122
Põleti süütamine piososüütajaga .....	123
Põleti süütamine tuletiku või pika gaasisüütajaga .....	123
Külgpõleti süütamine .....	123
Põletite kustutamine .....	124
Regulaatorite asendid .....	124
Leegi kontrollimine .....	124
Leegi taandumine .....	124
Leegi sähvimine .....	124

ET





<b>Kasulikke nõuandeid</b> .....	125
Üldist grillimisest .....	125
Otsene ja kaudne grillimine .....	125
Otsegrillimise seaded .....	125
Kaudse grillimise seaded .....	125
Küpsetuspinna temperatuur .....	126
Marinaadid .....	126
Toidu kinnikleepumise vältimine .....	126
Grillimisjuhend koos temperatuuridega .....	127
<b>Grilli puhastamine ja hoidmine</b> .....	129
Grillrestid ja -plaadid .....	129
Rasvapann ja -kauss .....	129
Põletid .....	130
Soojaplaadid .....	130
Muud grilli osad .....	131
Puitosade puhastamine .....	131
Säilitamine .....	131
<b>Veaotsing</b> .....	132
<b>Garantii</b> .....	133

ET



## Ohutusnõuded ja hoiatused

Selle gaasigrilli kasutamiseks olete kohustatud lugema kasutusjuhendi hoiatused ja ohutusnõuded enne grilli kasutuselevõttu hoolikalt läbi ja neid järgima. Grillil on kehtivate määruste järgne CE-märgis.

Legend:  OHT!  NB!

### Grilli paigutamine



See grill on ette nähtud üksnes välioludesse ja seda ei tohi kunagi kasutada sise- ega suletud ruumis. Vt allpool.

- Kasutage grilli ainult õues.
- Ärge kasutage grilli seinä ääres, garaazis, vagun- ega haagiselamus ega mujal suletud (sise) ruumis.
- Veenduge, et grilli igas suunas grilli ümber ja selle kohal oleks vähemalt meetri jagu vaba ruumi.
- Veenduge, et grilli lähedal oleksid kustutustekk/ käsikustuti ja esmaabivahendid.
- Grilli ei tohi kasutada nõrga pinna peal ega läheduses, sest sellest võib tavapärase kasutamise käigus pritsida või valguda nii rasva kui ka marinaade.
- Veenduge, et nii grill kui ka gaasiballoon seisaksid horisontaalsel pinnal.

### Gaasiga seotud ohutusnõuded



Grilli peaventiile, otsakuid ja gaasikraane tohib hooldada ning reguleerida üksnes gaasiseadmete paigaldamise õigust omav hooldusettevõtte. Vt allpool.

- Iga kord pärast kasutamist sulgege gaasiballooni pealevool ja eemaldage madalrõhuregulaator.
- Käidelge vedelgaasiballooni ettevaatlikult, ärge kukutage ega kolkige seda. Ärge säilitage vedelgaasiballooni kohas, kus temperatuur võib tõusta üle +50 °C.
- Kontrollige enne iga kasutuskorda, et gaasivoolik oleks korras.
- Tehke regulaarselt juhiste järgi lekkekontrolli. Lekkekontrolli tuleb teha eelkõige juhul, kui grilli pole pikalt kasutatud või kui olete vahetanud välja gaasiballooni, rõhuregulaatori või vooliku.
- Kui tunnete tugevat gaasilõhna, sulgege viivitamata gaasi pealevool ja lülitage kõik seadmed asendisse „OFF“. Seejärel avage grilli kaas, tehke lekkekontroll ja parandage ühenduskohad. Kui te ei leia viga üles, pöörduge hooldusettevõtte või edasimüüja poole.
- Ärge kunagi kontrollige gaasileket lahtise tulega.
- Ärge eemaldage gaasivoolikut ega madalrõhuregulaatorit grilli kasutamise ajal.

ET

## Üldised ohutusnõuded



**Grilli mittesihotstarbeline kasutamine võib olla ohtlik ja isegi kõige väiksemad muudatused grilli ehituses on keelatud. Vt allpool.**

- Järgige täpselt koost juhendit ja veenduge, et ükski osa ei jääks kinnitamata. Kui te ei järgi juhendit või mõni osa on jäänud kinnitamata, võib seadme kasutamisel probleeme tekkida. Kasutaja vastutab grilli nõuetekohase kokkupaneku eest.
- Lugege kasutusjuhend enne grilli kasutuselevõttu läbi ja hoidke edaspidiseks alles.
- Grill kuumeneb kasutamise ajal, seega olge väga ettevaatlik, kui ümbruses viibib lapsi, vanureid või lemmikloomi.
- Grilli vahetus läheduses ei tohi olla kergsüttivaid materjale, vedelikke ega grilli külge ühendamata gaasiballoone.
- Ärge kummarduge grilli süütamisel selle kohale.
- Grilli ei tohi jätta kasutamise ajal järelevalveta.
- Ärge teisaldage grilli kasutamise ajal.
- Ärge unustage kasutada grillimise ajal kuuma-kindlaid grillkindaid.
- Veenduge, et grilli põhi, rasvapann, soojaplaadid ja põletid oleksid rasvast ning marinaadidest puhtad.
- Ärge kasutage grilli, kui see ei tööta normaalselt.
- Ärge laske lastel grilli kasutada.
- Alkohol, retseptiravimid ja mitmesugused uimastid võivad mõjutada kasutaja võimet grilli turvaliselt ning nõuetekohaselt kasutada.

ET

# Gaasi ühendamine grilliga

## Üldist vedelgaasist

Enne grilli kasutuselevõttu peate hankima vedelgaasiballoonid, madalrõhuregulaatori ja gaasivooliku. **Need ei kuulu komplekti.**

Vedelgaas on kergsüttiv petrooleumipõhine aine, mida säilitatakse rõhu all vedelgaasiballoonides. Vedelgaasiballoonid kaaluvad 5–11 kg. Veenduge, et ostetud balloon ei oleks mõlkinis ega roostetanud ning selle ventiil poleks kahjustatud. Transportige vedelgaasiballoon alati püstiasendis korralikult kinnitatuna. Kodumajapidamises kasutamiseks mõeldud gaasiballoon tohib olla kuni 615 mm kõrge ja kuni 310 mm läbimõõduga.

Gaas juhitakse balloonist grilli madalrõhuregulaatori ja vooliku abil. Tänu madalrõhuregulaatorile voolab gaas grilli ühtlaselt.

## Gaasivooliku paigaldamine

1. Veenduge, et gaasivoolik oleks heas korras.
2. Veenduge, et kõik grilli regulaatorite nupud oleksid asendis „OFF“.
3. Veenduge, et grilli voolikupadrundi oleks korralikult kinni (A).
4. Suruge gaasivoolik võimalikult sügavalt ja kindlalt voolikupadrundi sisse (B).
5. Pinguldage voolik voolikuklambriga grilli voolikupadrundi külge (C).
6. Suruge gaasivooliku teine ots madalrõhuregulaatori voolikupadrundisse (D).
7. Pinguldage voolik voolikuklambriga rõhuregulaatori padruni külge (E).

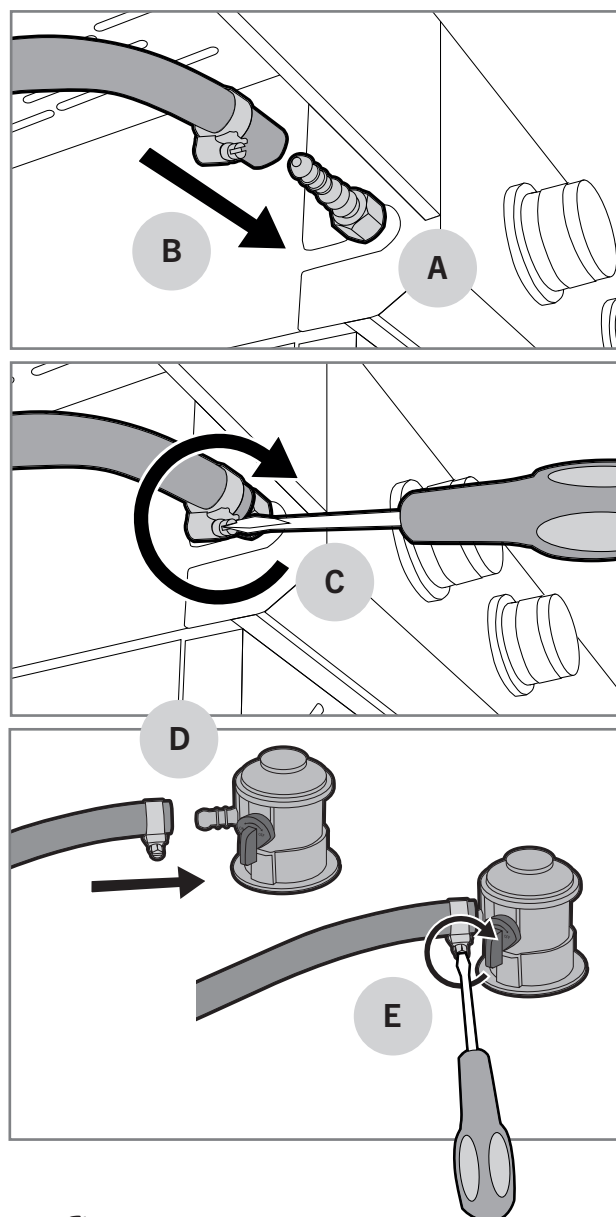
ET

**!** Ballooni külge ühendatav rõhuregulaator ei tohi olla reguleeritav ja regulaatori kasutusrõhk peab olema 30 mbar.

**!** Gaasivoolik tohib olla kuni 1,2 m pikk ja selle läbimõõt kuni 10 mm (NB! Rootsisis kuni 8 mm).

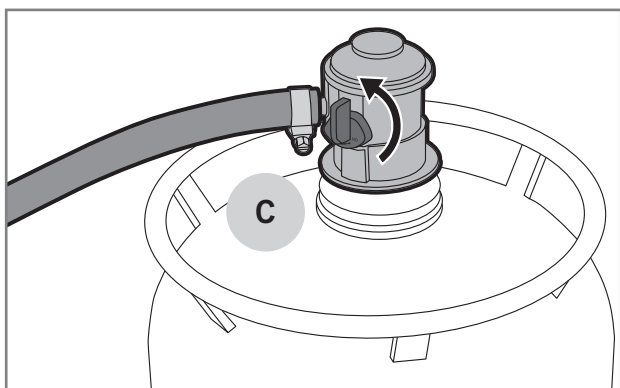
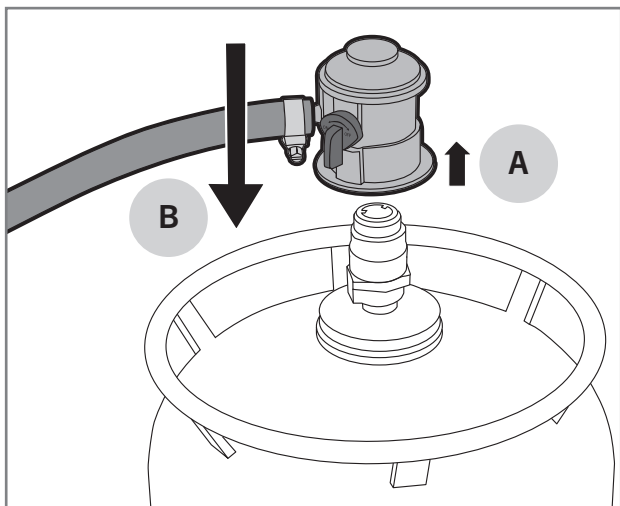
**i** Rõhuregulaator peab olema valmistatud standardi EN16129 järgi. Rõhuregulaatori kasutusrõhk on märgitud nimirõhu järgi 29 mbar.

**i** Gaasivoolik peab olema valmistatud standardi EN16436 järgi.



## Madalrõhuregulaatori paigaldamine

1. Veenduge, et madalrõhuregulaator oleks korras.
2. Kinnitage madalrõhuregulaator ballooni külge, tõmmates selle lukustusrõngast ülespoole (A) ja surudes samal ajal regulaatorit gaasiballooni külge (B).
3. Kontrollige kinnitust, tõmmates regulaatorit tugevalt ülespoole.
4. Avage gaasi peaveool aeglaselt, et rõhk ühtlustuks (C).

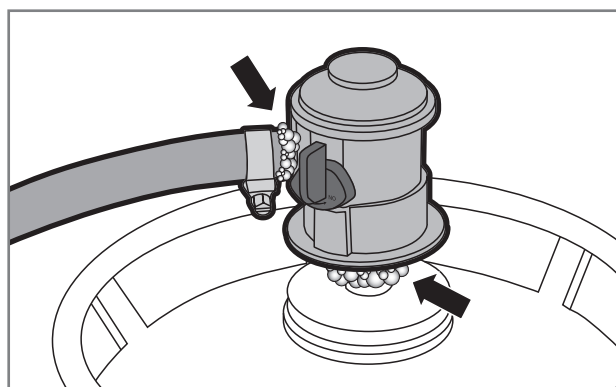
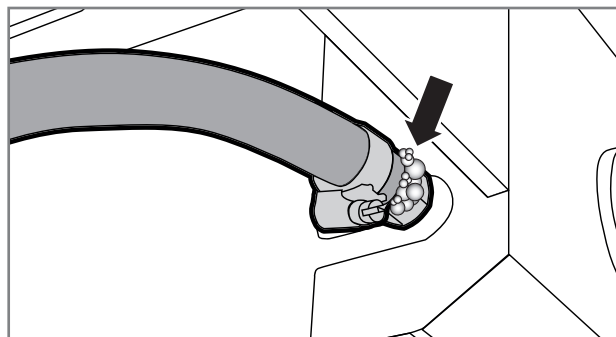


## Vedelgaasi lekkek kontroll

Lekkek kontroll tuleb teha iga kord, kui vahetate välja gaasiballooni, rõhuregulaatori või gaasivooliku. Kontroll tuleb teha ka korrapäraselt igal aastal ja eelkõige pärast pikemaajalisi kasutuspause. Tehke lekkek kontroll järgmiselt:

1. Avage grilli kaas ja veenduge, et kõik põletite regulaatorid oleksid asendis „OFF“.
2. Avage madalrõhuregulaator.
3. Niisutage kõiki ventile, vooliku jätkukohti, regulaatori kinnituskohki, gaasiballooni liitmikke ja keevitusõmblusi seebiveega (30% nõudepesuainet või vedelseepi ja 70% vett). Niisutamiseks võite kasutada harja või pihustipudelit.
4. Uurige hoolikalt, kas kuskil tekib mulle. Mullid viitavad gaasilekkele.
5. Mullide tekke korral sulgege gaasi peaveool ja pinguldage jätkukohti, kus need ilmusid.
6. Kui mullid tekivad vooliku keskel või gaasiballooni küljes, vahetage see osa uue vastu välja.
7. Avage gaasi peaveool ja tehke lekkek kontroll uuesti.
8. Loputage seebivesi roostetamise vältimiseks puhta veega maha.

**⚠ Ärge kasutage grilli, kui te ei saa gaasileket kõrvaldatud. Sel juhul eemaldage rõhuregulaator gaasiballooni küljest ja pöörduge hooldusettevõtte/edasimüüja poole.**





ET



# Grilli kasutamine

## Enne esmast kasutuselevõttu

Pärast lekkekontrolli tuleb grillilt tehaseõlid ära põletada, seejärel on grill kasutusvalmis. Põletage tehaseõlid järgmiselt:

1. Avage grilli kaas ja süüdake kõik põletid süüta-  
misjuhiste järgi.
2. Seadke põletid -võimsusele ja laske neil viis  
minutit põleda, kaas avatud.
3. Sulgege kaas ja laske veel 10 minutit -võimsu-  
sel põleda.
4. Keerake põletid asendisse „OFF“ ja sulgege gaasi  
pealevool.
5. Laske grillil 15 minutit jahtuda.
6. Puhastage grillplaadid ja -restid grilli puhastus-  
harjaga.
7. Õlitage grillplaadid ja -restid toiduõliga.

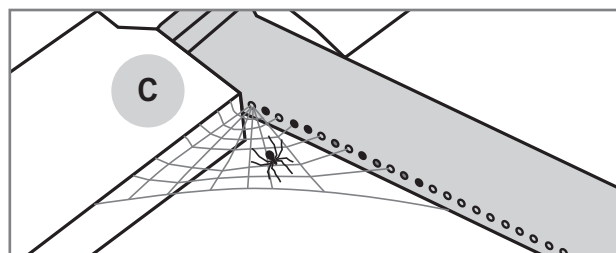
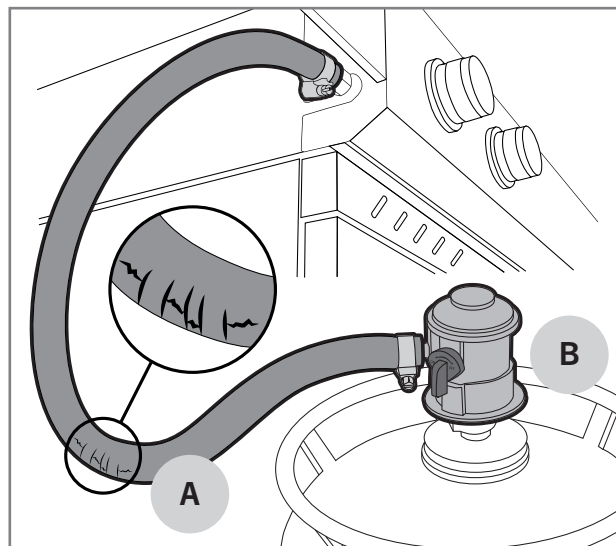
 **Tehaseõlide põletamise ajal võib grill eritada ebameeldivat suitsu. See on normaalne. Suits kaob, kui tehaseõlid on ära põlenud.**

## Enne iga kasutuskorda

Grilli ohutu ja sihtotstarbeline kasutamine eeldab enne iga kasutuskorda mitmesuguseid kontrolltegevusi. Lugege alljärgnev kontroll-loend hoolikalt läbi:

1. Veenduge, et grill oleks paigutatud õigesti ja  
selle vahetus läheduses ei oleks kergsüttivaid  
materjale ega vedelikke.
2. Veenduge, et gaasivoolikus ei oleks pragusid ega  
rebendeid (A).
3. Veenduge, et madalrõhuregulaator oleks korrali-  
kult kinni (B).
4. Veenduge, et grilli põhi, rasvapann, soojaplaadid  
ja põletid oleksid rasvast ning marinaadidest  
puhtad. Nii ennetate rasvapõlengute teket.
5. Veenduge, et põletite avad poleks kaetud putu-  
kate pesade ega ämblikuvõrkudega (C).
6. Veenduge, et grillrestidel ega -plaatidel poleks  
grilliharja harjaseid.







 **Ärge kasutage grilli, kui gaasivoolik on kah-  
justatud või grillil puudub mõni osa.**



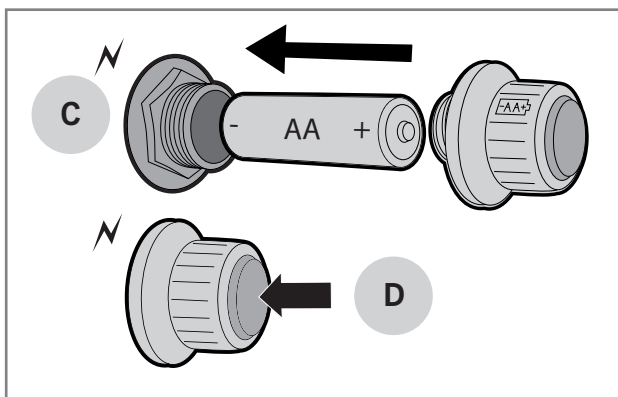
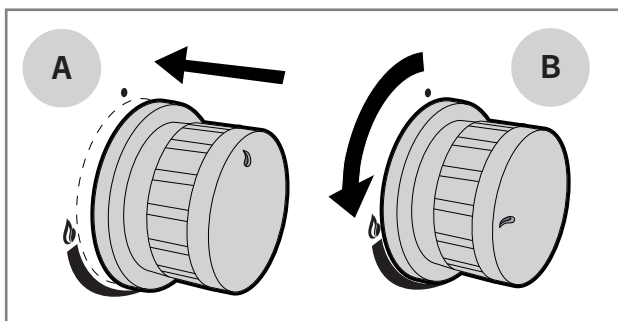
ET

## Põleti süütamine piosüütajaga




Põletid süüdatakse kas regulaatorisse sisse ehitatud või patareitoitel piosüütajaga. Igal põletil on oma regulaator. Süütamine toimub regulaatorist, millel on välgunoole kujutis (↖). Süütamine toimub järgmiselt:

1. Avage grilli kaas.
2. Avage madalrõhuregulaatorist gaasi pealevool.
3. Vajutage põleti regulaator põhja (A) ja keerake -võimsusele (B). Regulaatorisse sisse ehitatud pioso süütab põleti.
4. Kui grill kasutab patareitoitel piosüütajat (C), siis veenduge, et patarei oleks oma kohal ja õigetpidi. Vajutage piosonupp põhja (D), kuni grilli põleti süttib.
5. Seadke põleti leek sobivale võimsusele, mis jääb  ja  vahele.
6. Kui esimene põleti on süüdatud, saate süüdata üksteise järel ülejäänud põletid, kui keerate regulaatorid vastupäeva -võimsusele.
7. Seadke põletite leek sobivale võimsusele, mis jääb  ja  vahele.

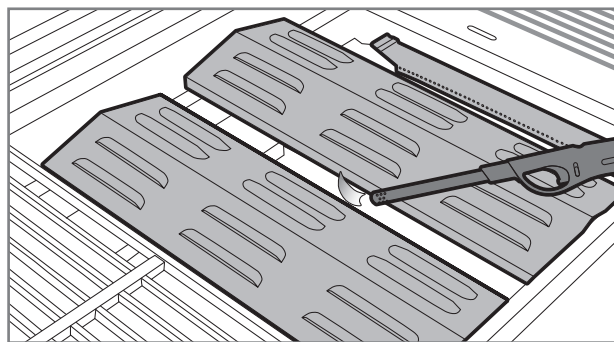
**i** Kui põleti ei sütti, keerake regulaator asendisse „OFF“ ja oodake viis minutit, seejärel proovige uuesti süüdata. Kui te ei saa põletit piosoga põlema, võite proovida põleti süütamist pika tuletiku või pika gaasisüütajaga.



## Põleti süütamine tuletiku või pika gaasisüütajaga




1. Avage grilli kaas.
2. Avage madalrõhuregulaatorist gaasi pealevool.
3. Süüdake pikk tuletikk või pikk gaasisüütaja.
4. Vajutage põleti regulaatorit ja keerake see -võimsusele.
5. Viige pikk tuletikk või pikk gaasisüütaja umbes 1 cm kaugusele põletist.
6. Kui esimene põleti on süüdatud, saate süüdata üksteise järel ülejäänud põletid, kui keerate regulaatorid vastupäeva  ja  vahele.

**i** Kui põleti ei sütti viie sekundiga, keerake regulaator asendisse „OFF“ ja püüdke tõrkeotsingu tabeli abil viga üles leida.



ET

## Külgpõleti süütamine

1. Avage külgpõleti kaas.
2. Vajutage põleti regulaatorit ja keerake see -võimsusele. Regulaatorisse sisse ehitatud pioso süütab põleti.
3. Kui grill kasutab patareitoitel piosot, siis vajutage piosonupp põhja, kuni grilli põleti süttib.
4. Seadke põleti leek sobivale võimsusele, mis jääb  ja  vahele.

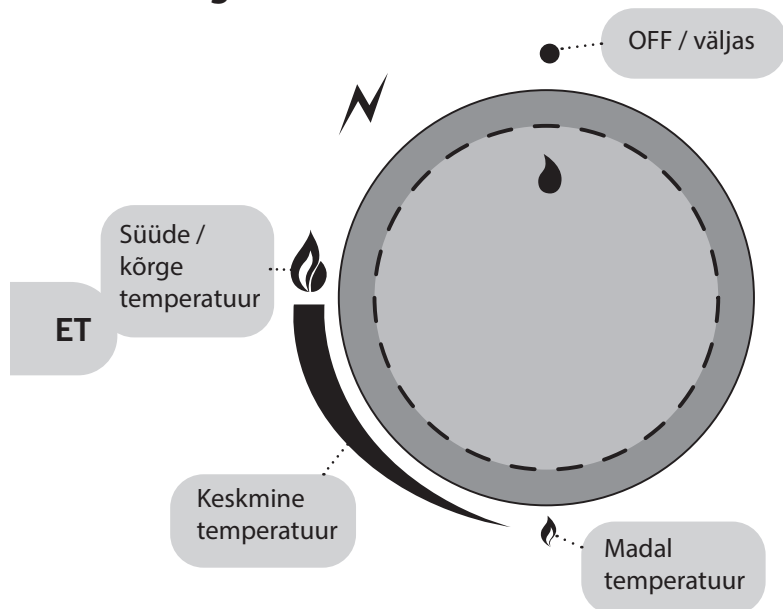
**i** Kui põleti ei sütti, keerake regulaator asendisse „OFF“ ja oodake viis minutit, seejärel proovige uuesti süüdata. Kui te ei saa põletit piosoga põlema, võite proovida põleti süütamist pika tuletiku või pika gaasisüütajaga.



## Põletite kustutamine

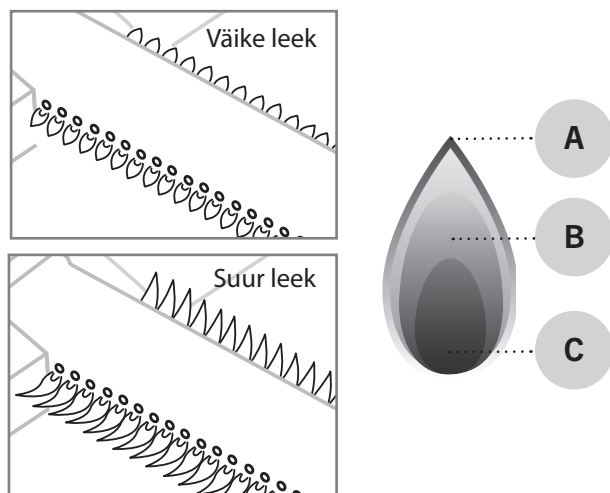
1. Peatage gaasi pealevool madalrõhuregulaatorist, sest nii ei jää gaasi grilli ega gaasivoolikusse.
2. Keerake regulaatorid asendisse „OFF“.
3. Sulgege grilli kaas.
4. Eemaldage rõhuregulaator gaasiballooni küljest.

## Regulaatorite asendid



## Leegi kontrollimine

Kontrollige grilli süütamisel alati leeki. Põletid on tehases optimaalselt reguleeritud, aga nende väiksed avad ahvatlevad putukaid pesitsema ja ämblikuid võrke kuduma. Kui põletid töötavad korralikult, väreleb ainult leegi tipp vahel kollaselt (A) ja leegi värv muutub summutamisel helesinisest (B) tumesinisest (C).



**i** Kui leek ei põle korralikult, kontrollige põletit ja puhastage seda. Kui põleti on kahjustatud, vahetage see enne grilli kasutamist välja.

## Leegi taandumine

Tuulise ilmaga võib tuul suruda leegi põletist välja õhuvõtuauku, nii et see põleb juhtpaneeli all. See võib kahjustada juhtpaneeli, regulaatoreid ja grilli ventiile. Leegi taandumine tekitab ka ebamäära heli, nii et kuulete liigset kohinat või praksumist, siis tegutsege järgmiselt:

1. Peatage gaasi pealevool madalrõhuregulaatorist.
2. Keerake kõik regulaatorid asendisse „OFF“.
3. Avage grilli kaas.
4. Eemaldage rõhuregulaator gaasiballooni küljest.
5. Teisaldage grill varjulisesse kohta.

**i** Leegi taandumisest tingitud kahju ei kuulu garantii alla.

## Leegi sähvimine

Gaasigrilli leegi vähenemine sähvimine on normaalne nähtus ja annab toidule maitset juurde. Kui leek sähvib tugevalt, tõstab see grilli sisetemperatuuri ja suurendab rasva tilkumist grillitavast toidust. See omakorda suurendab rasvapõlengu ohtu. Seepärast tuleb sähvimist järgmiste ettevaatusabinõudega ennetada:

1. Eemaldage enne grillimist lihalt ülemäärane rasv.
2. Püüdke küpsetada liha õigel temperatuuril.
3. Veenduge, et rasvapannil ei oleks ülemäärast rasva ega toidupalu.
4. Veenduge, et soojaplaadid oleksid rasvast puhastatud.
5. Hoidke grilli kaant igal võimalusel suletuna.

**i** Kui grillite suletud kaanega, on temperatuur ühtlasem ja gaasikulu väiksem. Suletud kaas aitab lisaks säilitada grilli sees niiskust, et toit ei kuivaks nii kergesti ära.

# Kasulikke nõuandeid

## Üldist grillimisest

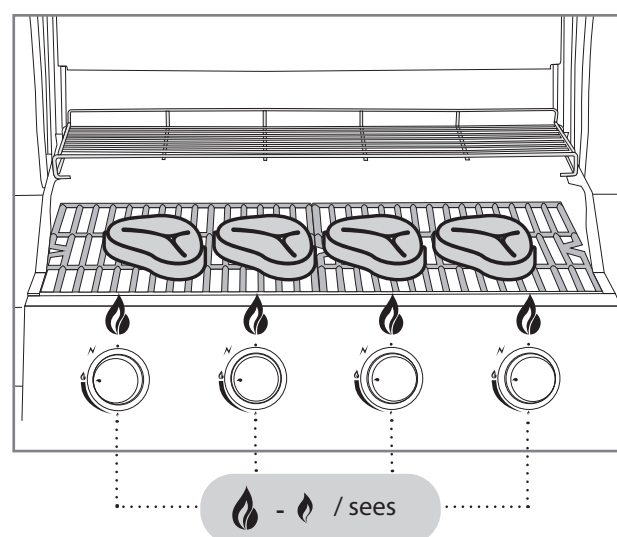
Grillimine on väga lihtne ja meeldiv tegevus, kui peate meeles paari väikest nippi ja järgite siinseid üldiseid grillimisnõuandeid:

- **Grill peab korralikult kuumenema.** Kui grilliplaadid ja -restid on korralikult kuumenenud, ei kleepu toit kinni ja selle pind pruunistub kenasti.
- **Määrduvad töövahenditega ei grillita.** Vanad marinaadid ja toidujäägid kleepuvad kergesti resti ning grillitava toidu külge. Puhastage grillirestid ja -plaadid pärast iga kasutuskorda. Nii on need järgmisel korral kohe võtta.
- Pange kõik vajalikud töövahendid, maitseained ja marinaadid ning nõud enne grillimist valmis.
- **Grilli kaas olgu võimalikult palju kinni.** Kui kaas on kinni, ei lange grilli temperatuur asjata ja grillimisaeg lüheneb.
- **Liha tuleb võimalikult vähe ringi keerata.** Piisab ühest korrast. Kui toit saab piisavalt kauaks rahulikult grilliplaadile või -restile jääda, tekib selle pinnale kaunis pruunistunud pind.
- **Termomeeter aitab!** Liiga pikk grillimisaeg kuivatab toitu ja rikub maitseaudingu. Parima tulemuse saamiseks hankige lihatermomeeter.
- **Liha peab 10–20 minutit seisma** enne kui seda lõigata/süüa. Selle ajaga temperatuur ühtlustub ja lõikamisel ei eraldu nii palju lihamahtla.

## Otsene ja kaudne grillimine

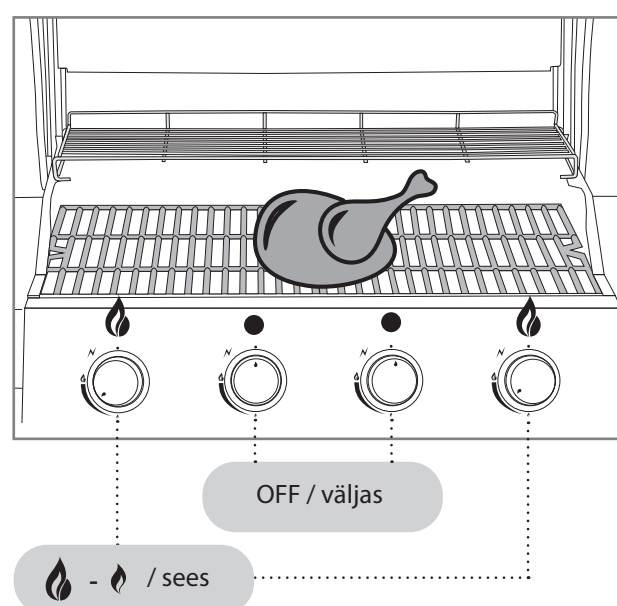
Mitme põletiga gaasigrillil saab grillida nii otse kui ka kaudselt. Otsegrillimise teel küpsetatakse üldiselt väiksemaid ja pehmemaid toite. Kaudselt grillitakse suuremaid ja pikemat küpsemisaega vajavaid toite, nagu praad, broiler ja kala. Kaudset grillimist kasutatakse ka otsegrillimisel pruunistatud lihatükkide läbiküpsetamiseks. Vt erinevusi allpool.

## Otsegrillimise seaded



ET

## Kaudse grillimise seaded



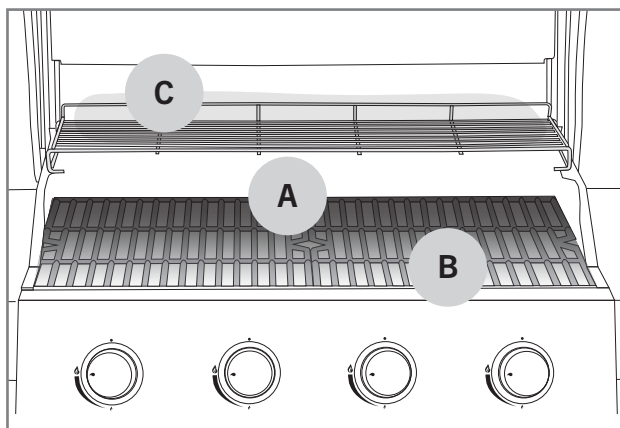


## Küpsetuspinna temperatuur

Traditsioonilistel enamlevinud gaasipõletitel (toru-/tahvelpõletid) on ebaühtlane küpsetuspinna temperatuur. Seda tasub võtta arvesse pigem omaduse kui probleemina. Kuldreegel on, et grillimisala tagaosa (A) on kuumem kui eesosa (B). Eesosa jahedus on tingitud nn Venturi torust, mis kinnitub põleti külge. Selles segatakse gaas ja õhk põlemiseks sobivaks seguks. Leek ei põle Venturi torus.

Mustangil on ka selliseid gaasigrilli mudeleid, mille küpsetuspind on kogu grillimisalal ühtlane. Neis on kasutusel spetsiaalsed U-põletid, mille Venturi toru on rajatud tavapärasest erinevalt põleti keskele. Tänu sellele lahendusele põleb leek ka põleti eesosas.

Grilli tagaosa soojendusrest (C) on jahedam, nii et seal võib hoida toitu soojas või küpsetada seda aeglaselt kaudse soojusega.



## Marinaadid

Marinaadi kasutamine on grillimisel täiesti tavaline. Selle ülesanne on anda grillitavale toidule meelepärane maitse. Kuid marinaadid kõrvetavad ka toidu grillresti ja -plaadi külge. Õline marinaad võib valguda põleti peale ja panna leegi sähvima või tekitada lausa rasvapõlengu. Nende paari nipi abil saab marinaadiga seotud probleeme vähendada:

1. Püüdke ülemäärane marinaad enne grillimist toidult maha pühkida.
2. Kui lisate marinaadi grillimise käigus, kasutage alati grillipintslit. Marinaadi ei tohi pudelist otse toidule valada.
3. Eelistage grillimisel pigem kuivmarinaade.

**i** Ärge kasutage toormarineerimisest järele jäänud marinaadi valmis toitude marineerimiseks. Sel juhul satuvad toore liha bakterid valmistoidu sisse.

## Toidu kinnikleepumise vältimine

Toidu kleepumine grillresti või -plaadi külge on grillijale hästi tuttav nähtus. Siin on paar nippi, kuidas liigset kleepumist vältida:

1. Eelkuumutage grilli piisavalt.
2. Puhastage grillrest ja -plaat enne kui toidu selle peale asetate.
3. Pintselage grillimisala ja grillitavat toitu enne grillimist.
4. Ärge keerake grillitavaid toite liiga kiiresti ringi, vaid laske nende pinnal korralikult küpseda.

ET



## Grillimisjuhend koos temperatuuridega

Allpool on loetletud enamlevinud toorainete ligikaudsed grillimisajad ja temperatuurid. Tuul, sademed, välistemperatuur ja grilli puhtus võivad grillimisaega mõjutada.



### Veis

Tükk	Paksus/kaal	Grillimismeetod	Grillimisaeg
Sise-/välisfilee lõik	u 2 cm	Otsene kõrge temperatuur	2,5–3,5 min / üks pool
Sise-/välisfilee lõik	u 5 cm	Otsene kõrge temperatuur Kaudne keskmine temperatuur	2,5 min / üks pool 8–10 min
Terve sisefilee	u 1,5 kg	Otsene kõrge temperatuur Kaudne keskmine temperatuur	3 min / üks pool 20–30 min
Praad	u 1,5 kg	Otsene keskmine temperatuur Kaudne keskmine temperatuur	3–4 min / üks pool 30–40 min
Hamburgeripihv	u 2 cm	Otsene kõrge temperatuur	2–3 min / üks pool
Sisetemperatuur			
Toores – peaaegu toores		47 – 51 °C	
Keskmiselt küps		52 – 58 °C	
Peaaegu küps - küps		59 – 66 °C	

ET



### Siga

Tükk	Paksus/kaal	Grillimismeetod	Grillimisaeg
Fileelõik, karbonaad	u 2 cm	Otsene kõrge temperatuur	2 – 2,5 min / üks pool
Sisefilee	u 600 g	Otsene kõrge temperatuur Kaudne keskmine temperatuur	3 min / üks pool 20 – 30 min
Grillkülg/-ribi	u 1,5 kg	Kaudne keskmine temperatuur Otsene kõrge temperatuur	60 – 90 min 4 min / üks pool
Kassler	u 3 cm	Otsene keskmine temperatuur Kaudne keskmine temperatuur	2,5 – 3 min / üks pool 15 – 20 min
Toorvorst	u 400 g	Otsene madal temperatuur	2 – 3 min / üks pool
Sisetemperatuur			
Küps filee		65 – 70 °C	
Küps muu tükk		65 – 70 °C	



## Kana ja kalkun

Tükk	Paksus/kaal	Grillimismeetod	Grillimisaeg
Rinnafilee	u 200 g	Otsene keskmine temperatuur	5 – 6 min / üks pool
Kints	u 120 g	Otsene keskmine temperatuur	5 – 6 min / üks pool
Tiivad	u 500 g	Otsene keskmine temperatuur Kaudne keskmine temperatuur	6 – 10 min 30 – 40 min
Terve broiler	u 900 g	Kaudne keskmine temperatuur	60 – 75 min
Sisetemperatuur			
Küps		75 °C	



## Kala

ET

Tükk	Paksus/kaal	Grillimismeetod	Grillimisaeg
Õhuke filee	u 200 g	Otsene keskmine temperatuur	2 – 3 min / üks pool
Paks filee	u 120 g	Otsene keskmine temperatuur	5 – 6 min / üks pool
Terve kala	u 500 g	Kaudne keskmine temperatuur	20 – 30 min
Sisetemperatuur			
Roosa		45 – 50 °C	
Täielikult küps		55 – 60 °C	



## Köögiviljad

Tükk	Paksus/kaal	Grillimismeetod	Grillimisaeg
Küps mais		Otsene keskmine temperatuur	6 min
Tomat		Otsene keskmine temperatuur	6 min / üks pool
Spargel		Otsene keskmine temperatuur	3 – 5 min
Kartuliviilud		Otsene keskmine temperatuur Kaudne keskmine temperatuur	5 – 8 min 10 – 15 min
Toores kartul		Kaudne keskmine temperatuur	45 – 60 min




# Grilli puhastamine ja hoidmine

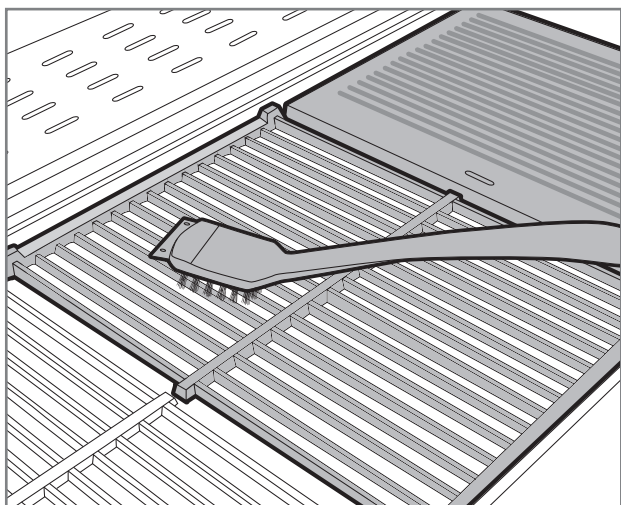
Grilli kasutamisega pikeneb märkimisväärselt, kui hoolitsete selle puhtuse ja korrapärase hoolduse eest. Kui grill ei kuumene piisavalt või toit kleepub kergesti grillplaadi külge, ei ole grilli järelkult nõuetekohaselt puhastatud või hooldatud. Toimige pärast iga kasutuskorda järgmiselt.

## Grillrestid ja -plaadid

Kui grillrestid või -plaadid on jäänud toitu või marinaade, toimige järgmiselt:

1. Veenduge, et grill oleks välja lülitatud.
2. Eemaldage toit ja rasv nt köögipaberi abil.
3. Süüdake grill juhust järgi ja seadke põletid -võimsusele.
4. Sulgege kaas ja laske grillil 5–10 minutit kuumeneda.
5. Kustutage grill ja avage kaas.
6. Laske grillil umbes 10 minutit jahtuda.
7. Eemaldage kõrbenud toit ja mustus grilli jaoks ette nähtud puhastusharjaga (A).
8. Ölitage puhastatud grillreste ja -plaate toiduõliga, kasutades nt köögipaberit või grillpintslit.

**i** Ärge kasutage keevitustöödel kasutamiseks mõeldud terasharja, kuna see võib grilli pinnad rikkuda. Sellise terasharja tekitatud kahju ei kuulu garantii alla.



## Rasvapann ja -kauss

Enamike rasvapõlengute põhjus on määrdunud rasvapann. Kui näete rasvapannil või -kaussis toidupalu või marinaadi, puhastage see kohe järgmiselt. Rasvapannile ei tohi jääda rasvaloike.

1. Veenduge, et grill oleks välja lülitatud.
2. Eemaldage rasvapann/-kauss grilli küljest.
3. Eemaldage toit ja rasv grilli puhastusharja kaabitsa või plastkaabitsa abil.
4. Peske rasvapanni/-kaussi õrnatoimelise nõudepesuainega.
5. Kuivatage puhas rasvapann/-kauss ja pange grilli külge tagasi.

**i** Puhastamine on hõlpsam, kui katate rasvapanni fooliumiga, mis kogub liigse toidu ja rasva kokku. Puhastamiseks on vaid vaja määrdunud foolium ära visata.

ET

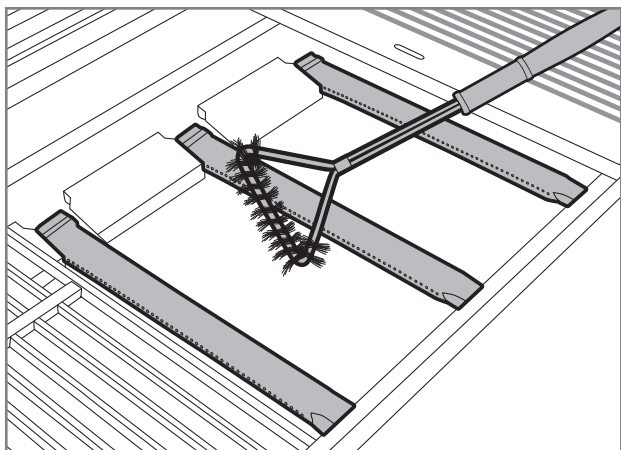




## Põletid

Põletid on grilli toimimise ja kuumenemise seisukohalt kõige tähtsamad, nii et veenduge regulaarselt nende puhtuses ja korrasolekus. Põletid tuleb eemaldada ja üle vaadata vähemalt kaks korda aastas, eelkõige kevadel pärast talvist seismist või muud pikka kasutuspausi. Põletite väiksed avad meelitavad putukaid ja ämblikuid neisse pesi ehitama. Sellised ummistused tekitavad ebaühtlase ja -puhta leegi. Ummistused võivad panna leegi põlevam väljaspool gaasivoolikut, mis võib grilli tugevalt kahjustada. Puhastage põletid järgmiselt:

1. Veenduge, et grill oleks välja lülitatud.
2. Eemaldage grillrestid ja -plaadid ning soojaplaadid.
3. Eemaldage põleti, avades selle kinnituskruvi. Kinnituskruvi asub harilikult põleti tagaotsas.
4. Paljudel grillidel eeldab põletite eemaldamine grilli tagapaneeli eemaldamist.
5. Osa grille on hõlbus puhastada ka siis, kui põletid on oma kohal. Kõige tähtsam on, et te pääseksite kõigile väikestele gaasiavadele ligi.
6. Kasutage põleti pinna puhastamiseks grilli messingist puhastusharja.
7. Veenduge, et põleti avad oleksid avatud ja puhtad. Võite kasutada nt peenikest raudtraati.
8. Kui põleti on kahjustatud ja/või tugevalt roostetanud, vahetage see välja.
9. Veenduge ühtlasi, et ventiili otsak oleks puhas ja terve.
10. Pange puhastatud põletid tagasi.

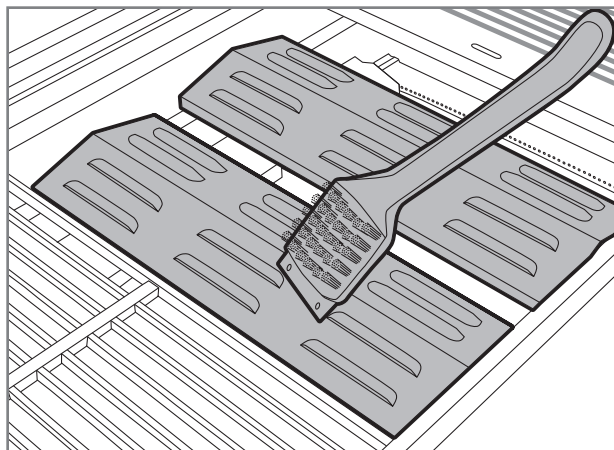


## Soojaplaadid

Soojaplaadid levitavad sooja ühtlaselt grillimisalale. Soojaplaatide pinnale koguneb toidujääke ja marinaade. Määrduvad soojaplaadid vähendavad grilli võimsust. Puhastage soojaplaadid järgmiselt:

1. Veenduge, et grill oleks välja lülitatud.
2. Eemaldage soojaplaadid grillilt.
3. Kraapige soojaplaadilt liigne toit puhastusharja kaabitsa või plastkaabitsa abil maha.
4. Lõpetuseks harjake messingist puhastusharjaga.
5. Soovi korral võite pesta soojaplaate kraanikaasis õrnatoimelise nõudepesuainega.
6. Kuivatage puhtad soojaplaadid ja pange grilli külge tagasi.

**i** Ärge peske soojaplaate nõudepesumasinas.



ET



## Muud grilli osad

Grillil on lisaks eelmainitule palju muid terasosi, mida tuleb korrapäraselt puhastada. Järgige siinseid üldisi juhiseid:

1. Puhastage grilli terasosad Mustangi grilli puhastusaine, Mustangi rösteri puhastusaine või õrnatoimelise nõudepesuaine ja lapiga.
2. Kuivatage puhastatud osad hoolikalt.
3. Juhtpaneelid ja hoiatussiltide pindu ei tohi puhastada pesuainega, sest need võivad tekstid ja muud ohutusmärgised lahti leotada.
4. Puhastage grilli kõiki pealispindu vähemalt kolm korda aastas, et mustus ei saaks sisse sööbida.
5. Katsetage alati uue puhastusaine sobivust varjatud kohal.

**i** Kloor ja sool võivad panna grilli roostetama. Kui kasutate grilli mere või ujumisbasseini vahetus läheduses, peate seda iga nädal puhastama.

## Puitosade puhastamine

Kui grillil on puitosi, tuleb neid puhastada ja hooldada järgmise juhise kohaselt.

1. Pühkige kõik puitosi korrapäraselt lahjas seebi-vees immutatud riidelapiga puhtaks.
2. Kuivatage puhastatud pinnad hoolikalt.
3. Immutage puitosi vähemalt kaks korda aastas vabalt saadaoleva õuemööbli jaoks ette nähtud puiduõliga. See väldib puidu liigset kuivamist ja lõhenemist.
4. Enne esmakordset immutamist katsetage puiduõli või muu säilitustoote sobivust väikesel, vähenähtaval pinnal. Järgige puitosade immutamisel alati kaasasolevaid tootja juhiseid.

## Säilitamine

Kui teete grillimises pikema pausi või soovite grilli nt talveperioodiks hoiule panna, järgige neid juhiseid. Õigesti hoitud grilli kasutusiga pikeneb ja grill püsib aastast aastasse töökorras. Grilli hoiulepanekul toimige järgmiselt:

1. Puhastage grill täielikult kasutusjuhendi juhiste järgi.
2. Süüdake grill ja laske sel umbes 15 minutit kuumeneda, kuni kõik terasosad on kuivanud.
3. Laske grillil maha jahtuda.
4. Veenduge, et kõik grillrestid ja -plaadid oleksid õlitatud.
5. Kui hoiate grilli õues, eemaldage selle põletid, restid, plaadid, soojendusrest ja soojaplaadid. Neid tuleb säilitada kuivas ja soojas ruumis. Soovitame mähkida need nt ajalehe sisse, et pindu mitte kriimustada.
6. Eemaldage madalrõhuregulaator gaasiballooni küljest.
7. Säilitage gaasiballooni alati õues ja veenduge, et see ei puutuks kokku kuumuse ega päikesevalgusega.
8. Õues säilitamise korral tasub hankida kvaliteetne kaitsekate, mis katab grilli maani. Veenduge, et õhk saaks ka katte all ringi käia.

**i** Ärge säilitage grilli sellises kohas, kus katuselt langev lumi kukuks grilli peale. Lume ja jää tekitatud kahju ei kuulu garantii alla.

ET

# Veaotsing

Iga grill võib töötamast tõrkuda. Harilikult on tegemist lihtsasti kõrvaldatavate häiretega. Kui te ei leia murele alltoodud tabelist lahendust, pöörduge edasimüüja poole.

Viga	Võimalik põhjus	Lahendus
Gaas ei voola peale	Madalrõhuregulaator on kinni	Avage gaasi pealevool rõhuregulaatorist
	Madalrõhuregulaator ei ole gaasiballooni küljes korralikult kinni	Eraldage madalrõhuregulaator ja kinnitage uuesti
	Gaasivoolik või rõhuregulaator on defektsed	Vahetage gaasivoolik või rõhuregulaator välja ja tehke lekkekontroll
Põleti ei sütti patareitoitel piesoga	Patarei on tühjaks saanud või paigaldamata	Vahetage patarei välja
	Süüteseadise juhtmed on lahti või valesti ühendatud	Kontrollige ühendusi ja ühendage juhtmed uuesti
	Süüteseadis on defektne	Vahetage süüteseadis välja
Põleti ei sütti tuletiku ega gaasisüütajaga	Põleti avad on ummistunud	Puhastage põletid juhiste järgi
	Põletid ei ole ventiilide küljes korralikult kinni	Kontrollige põletite paigaldust ja seisukorda
Grill ei kuumene korralikult	Põleti ei saa korralikult õhku	Kontrollige põletit ja puhastage see
	Gaasi on liiga vähe	Vahetage gaasiballoon välja
	Gaasi pealevool on takistatud	Veenduge, et gaasivoolik oleks terve ega oleks väändunud
Leek on ebahühtlane ja põleb täiesti kollasena või suitseb	Põletid ei saa piisavalt õhku	Puhastage põletid juhiste järgi
	Põletite pinnale on kleepunud toidujääke, soola või marinaadi	
Leek väreleb kõvasti või temperatuur on liiga kõrge	Toidu pinnal on liiga palju rasva või marinaadi	Pühkige liigne rasv ära
	Soojusplaadid või rasvapann on liiga määrdunud	Puhastage soojusplaat või rasvapann liigsest toidust või rasvast
Leek ei püsi	Liiga tugev tuul	Viige grill tuule eest kaitstud kohta
	Gaasi on vähe	Vahetage gaasiballoon välja
Leeki on näha väljaspool põletit	Põleti on ummistunud	Kontrollige põletit ja puhastage see
	Tugev tuul	Viige grill tuule eest kaitstud kohta
Rõhuregulaator suriseb/kohiseb	Kõrge välistemperatuur	Pole midagi teha. Olukord möödub
	Täis gaasiballoon	

ET



# Garantii

Sellel Mustangi gaasigrillil on tootmis- ja materjaligarantii 10 aastat. Kontrollige kehtivaid garantiitingimusi meie veebilehelt

**[mustang-grill.com](http://mustang-grill.com)**

Kõigi garantiiküsimuste lahendamiseks on vaja esitada ostukviitung, millelt selgub ostukoht ja -kuupäev.

ET



# MUSTANG

LV

**Lietošanas pamācība**

---



# Laipni lūdzam "Mustang" grila pasaulē

**Priecājamies, ka izvēlējāties "Mustang" gāzes grilu. "Mustang" vēlas kļūt par Jūsu grila pavadoni un nodrošināt Jums sapņu grilēšanas pieredzi. "Mustang" ir radies ar vēlmi baudīt nesteidzīgu un relaksētu ēdienu pagatavošanu kopā ar ģimeni vai draugiem, un šo pašu ideju mēs vēlamies piedāvāt Jums.**

"Mustang" grili un piederumi ir rūpīgi izstrādāti un eleganti, tāpēc varam ar tiem lepoties. Mūsu ilggadējā pieredze un profesionālās prasmes atspoguļojas katrā no mūsu produktiem, un tiem piemīt visas šādiem izstrādājumiem būtiskās funkcijas un īpašības. Esam pārliecināti, ka šis grils Jūs priecēs ilgu laiku, ja vien atcerēsieties to pienācīgi uzturēt un tīrīt vadoties pēc šajā rokasgrāmatā sniegtajiem norādījumiem.

## Plašākā grilu izvēle

"Mustang" ir zīmols, kas pieder somu uzņēmumam "Tammer Brands Oy". "Mustang" piedāvā visu grilēšanai nepieciešamo aprīkojumu, piederumus, darbarīkus un rezerves daļas, kā arī plašu produktu klāstu kūpināšanai un picu cepšanai. Mums ir lieliski pazīstama grilēšanas kultūra, tāpēc varam nodrošināt, ka Jums ir pieejami tieši Jums visvairāk vajadzīgie un modernākie produkti. Tātad "Mustang" ir vienīgais zīmols, kas Jums ir nepieciešams veiksmīgai grilēšanai.

## Klientu apkalpošana

"Tammer Brands Oy",  
tāl. 03 252 1111  
Viinikankatu 36,  
33800 Tampere, Somija

[mustang-grill.com](http://mustang-grill.com)

**TAMMER**  
BRANDS | EST 1954

LV



**Pirms grila lietošanas izlasiet lietošanas instrukciju un saglabājiet to turpmākai uzziņai.**

**Sekoiet mums sociālajos tīklos**



**mustanggrill**

**MUSTANG**

# Satura rādītājs

<b>Montāžas instrukciju</b> .....	3
Pirms uzstādīšanas .....	7
<b>Brīdinājumi un norādījumi par drošību</b> .....	138
Grila uzstādīšana .....	138
Ar gāzi saistīti drošības norādījumi .....	138
Vispārējie drošības norādījumi .....	139
<b>Gāzes pieslēgšana grilam</b> .....	140
Ziņas par sašķidrināto naftas gāzi .....	140
Gāzes šļūtenes uzstādīšana .....	140
Zemspiediena regulatora uzstādīšana .....	141
SNG noplūdes pārbaude .....	141
<b>Grila izmantošana</b> .....	142
Pasākumi pirms pirmās lietošanas .....	142
Pasākumi pirms katras lietošanas .....	142
Degļu aizdedzināšana ar pjezo šķiltavām .....	143
Degļu aizdedzināšana ar sērkokociņu vai garām šķiltavām .....	143
Sānu degļa aizdedzināšana .....	143
Degļu izslēgšana .....	144
Slēdžu stāvokļi .....	144
Liesmu pārbaude .....	144
Liesmas ievilkšana .....	144
Liesmas uzliesmošana .....	144

LV



<b>Noderīgi ieteikumi</b> .....	145
Vispārīgi grilēšanas norādījumi .....	145
Tieša un netieša grilēšana .....	145
Tiešās grilēšanas iestatījumi .....	145
Netiešās grilēšanas iestatījumi .....	145
Gatavošanas virsmas siltuma zonas .....	146
Marinādes .....	146
Izvairšanās no ēdiena pielipšanas .....	146
Grilēšanas temperatūras norādījumi .....	147
<b>Grila tīrīšana un uzglabāšana</b> .....	149
Grila restes un pannas .....	149
Tauku paplāte un trauks .....	149
Degļi .....	150
Siltuma sadales plāksnes .....	150
Citas grila daļas .....	151
Koka daļu tīrīšana .....	151
Glabāšana .....	151
<b>Problēmu novēršana</b> .....	152
<b>Garantija</b> .....	153

LV




# Brīdinājumi un norādījumi par drošību

Pirms šī gāzes grila lietošanas ir rūpīgi jāizlasa un jāpievērš uzmanība šajā rokasgrāmatā sniegtajiem drošības brīdinājumiem un norādījumiem. Šis grils ir apstiprināts saskaņā ar CE marķējums esošajiem noteikumiem.


Simbolu nozīme:  BĪSTAMI!  UZMANĪBU!

## Grila uzstādīšana

 Šis grils ir paredzēts vienīgi lietošanai ārpus telpām, to nekad nedrīkst izmantot iekš-telpās vai noslēgtās telpās. Skatīt turpmāk atzīmētos punktus.

- Izmantojiet grilu tikai ārpus telpām.
- Neizmantojiet grilu blakus sienai, garāžā, kempri vai treileri, citā slēgtā telpā vai iekštelpās.
- Pārliedzieties, ka ap grilu katrā tā pusē un virs tā ir vismaz metrs brīvas vietas.
- Pārliedzieties, ka grila tuvumā ir ugunsdzēsības pārsegs / rokas ugunsdzēsamais aparāts un pirmās palīdzības aptieciņa.
- Grilu nedrīkst novietot uz jutīgām virsmām vai to tuvumā, jo normālas lietošanas laikā no grila var izšļakstīties un notecēt tauki vai marinādes.
- Pārliedzieties, ka grils un gāzes balons ir novietoti uz horizontālas virsmas.

## Ar gāzi saistīti drošības norādījumi

 Grila galvenos vārstus, sprauslas un gāzes krānus drīkst apkalpot un regulēt tikai servisa uzņēmums, kam ir gāzes uzstādīšanas licence. Skatīt turpmāk atzīmētos punktus.

- Pēc lietošanas vienmēr aizveriet balona gāzes ieplūdes atveri un atvienojiet balona zemspiediena regulatoru.
- Rīkojieties ar sašķidrinātās naftas gāzes (SNG) tvertni uzmanīgi, nenometiet to un nesasietiet. Neglabājiet sašķidrinātās naftas gāzes tvertni vietā, kur temperatūra var pārsniegt +50 ° C.
- Pirms lietošanas vienmēr pārbaudiet gāzes šļūtenes stāvokli.
- Regulāri veiciet noplūdes pārbaudi, saskaņā ar norādījumiem. Īpaši noplūdes pārbaude jāveic, ja grils ilgu laiku nav lietots vai ja ir nomainīts gāzes balons, spiediena regulators vai šļūtene.
- Ja jūtat spēcīgu gāzes smaku, nekavējoties izslēdziet gāzes padevi un iestatiet visus vārdības slēdžus "OFF" stāvoklī. Pēc tam atveriet grila vāku, veiciet noplūdes testu un salabojiet savienojumus. Ja nevarat atrast vainu, sazinieties ar izplatītāju vai servisa centru.
- Nekad nepārbaudiet gāzes noplūdi ar atklātu liesmu.
- Kamēr tiek izmantots grils, neatvienojiet gāzes šļūteni vai zemspiediena regulatoru.

## Vispārējie drošības norādījumi



**Grila izmantošana citiem mērķiem, nevis tiem, kam tas ir paredzēts, var radīt apdraudējumu, un pat nelielas izmaiņas grila konstrukcijā ir aizliegtas visos aspektos. Skatīt turpmāk atzīmētos punktus.**

- Uzmanīgi ievērojiet montāžas instrukcijas un ņemiet vērā, ka montāžas laikā nedrīkst atstāt nevienu detaļu nepiestiprinātu. Grila lietošanas laikā var rasties problēmas, ja netiek ievēroti norādījumi vai nav piestiprinātas visas detaļas. Par pareizu grila montāžu ir atbildīgs lietotājs.
- Pirms grila lietošanas izlasiet lietošanas instrukciju un saglabājiet to turpmākai uzziņai.
- Lietošanas laikā grils kļūst karsts, tāpēc esiet īpaši uzmanīgi, ja tā tuvumā ir bērni, vecāki cilvēki vai mājdzīvnieki.
- Grila tiešā tuvumā nedrīkst atrasties viegli uzliesmojoši materiāli, šķidrums vai gāzes baloni, kas nav savienoti ar grilu.
- Aizdedzinot grilu, nenoliecieties virs tā.
- Grila lietošanas laikā, to nedrīkst atstāt bez uzraudzības.
- Nepārvietojiet grilu tā lietošanas laikā.
- Lietojot grilu, neaizmirstiet valkāt karstumizturīgus cimdus.
- Pārliecinieties, ka no grila pamatnes, tauku paplātes, siltuma sadales plāksnēm un degļiem ir notīrīti tauki vai marinādes.
- Nelietojiet grilu, ja ir traucēta tā normālā darbība.
- Neļaujiet bērniem lietot grilu.
- Alkohols, recepšu zāles un jebkāda veida apreibinošas vielas var ietekmēt lietotāja spējas droši un pareizi lietot grilu.

# Gāzes pieslēgšana grilam

## Ziņas par sašķidrināto naftas gāzi

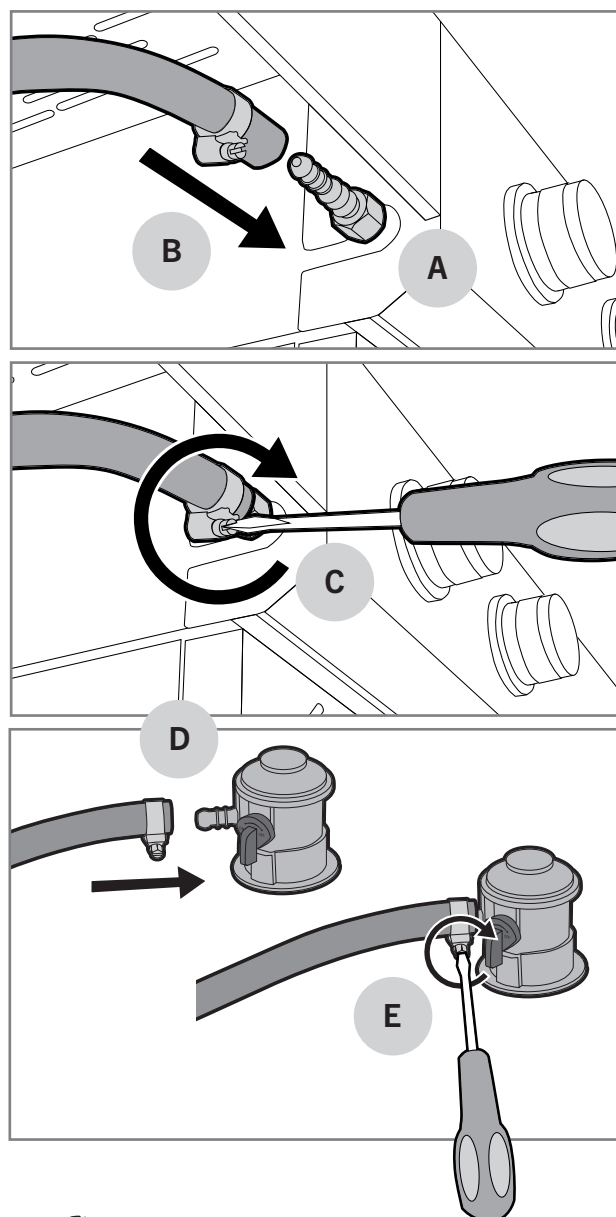
Pirms sākat izmantot savu grilu, iegādājieties SNG balonu, zemspiediena regulatoru un gāzes šļūteni. **Tie nav iekļauti grila piegādē.**

SNG ir ļoti viegli uzliesmojoša uz naftas bāzes veidota viela, kas tiek uzglabāta SNG balonos zem spiediena. SNG ir pieejama 5 kg – 11 kg balonos. Pārliedzieties, ka iegādātais balons nav sasists vai sarūsējis un balona vārsts nav bojāts. SNG balonu vienmēr pārvietojiet vertikālā stāvoklī un droši nostiprinātu. Lietošanai mājas apstākļos maksimālais balona izmērs ir 615 mm augstumā un 310 mm diametrā.

Gāze no balona uz grilu tiek novadīta, izmantojot zemspiediena regulatoru un šļūteni. Gāze uz grilu plūst vienmērīgi, pateicoties zemspiediena regulatoram.

## Gāzes šļūtenes uzstādīšana

1. Pārbaudiet gāzes šļūtenes stāvokli.
2. Pārliedzieties, ka visi grila regulēšanas slēdži ir "OFF" stāvoklī.
3. Pārliedzieties, ka grila šļūtenes uzgalis ir atbilstoši aizvērts (A).
4. Iespiediet gāzes šļūteni šļūtenes uzgalī, cik vien dziļi un cieši iespējams (B).
5. Ar šļūtenes skavu pievelciet šļūteni pie grila šļūtenes uzgaļa. (C)
6. Pievienojiet gāzes šļūtenes otru galu zemspiediena regulatora šļūtenes uzgalim (D).
7. Pievelciet šļūteni pie spiediena regulatora uzgaļa ar šļūtenes skavu (E).



**!** Balonam pievienotais spiediena regulators nedrīkst būt regulējams, un regulatora darba spiedienam jābūt 30 mbar.

**!** Maksimālais gāzes šļūtenes garums nedrīkst pārsniegt 1,2 m, un maksimālais diametrs nedrīkst pārsniegt 10 mm (Piezīme: Zviedrijā maksimālais diametrs – 8 mm).

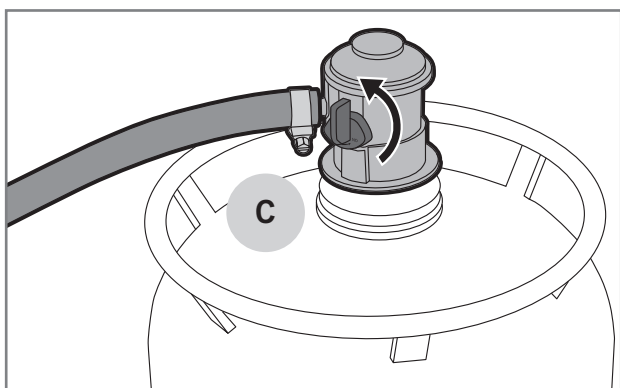
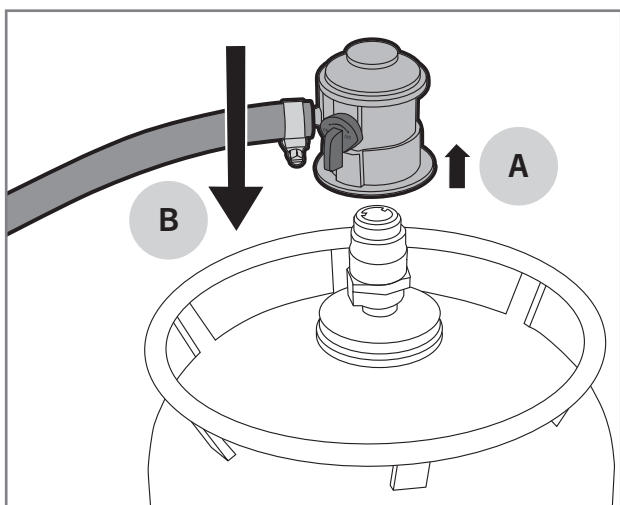
**i** Spiediena regulatoram jābūt izgatavotam saskaņā ar EN16129 standartu. Spiediena regulatorā darba spiediens ir atzīmēts atbilstoši nominālajam spiedienam 29 mbar.

**i** Gāzes šļūtenei jābūt izgatavotai saskaņā ar EN16436 standartu.

LV

## Zemspiediena regulatora uzstādīšana

1. Pārbaudiet zemspiediena regulatora stāvokli.
2. Pievienojiet zemspiediena regulatoru balonam, velkot bloķēšanas gredzenu uz augšu (A), vienlaikus piespiežot regulatoru pie balona (B).
3. Lai nostiprinātu stiprinājumu, stingri pavelciet regulatoru uz augšu.
4. Lēnām atveriet regulatora gāzes ieplūdes atveri, lai spiediens izlīdzinātos (C).



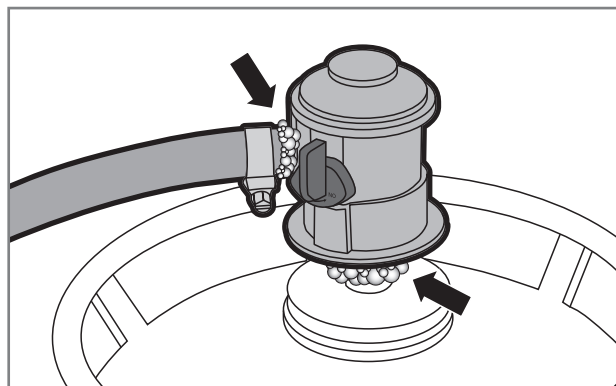
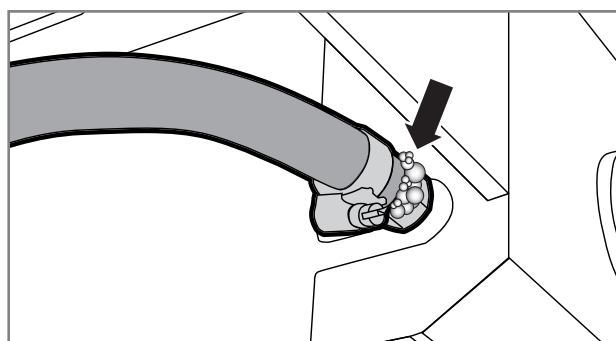
## SNG noplūdes pārbaude

Nomainot jaunu balonu, spiediena regulatoru vai gāzes šļūteni, vienmēr jāveic gāzes noplūdes pārbaude. Regulāri jāveic ikkgadējās pārbaudes, īpaši pēc ilgākiem uzglabāšanas pārtraukumiem. Veiciet gāzes noplūdes pārbaudi, saskaņā ar turpmāk sniegtajiem norādījumiem:

1. Atveriet grila vāku un pārliecinieties, ka visi degļu slēdži ir "OFF" stāvoklī.
2. Atveriet zemspiediena regulatoru.

3. Saslapiniet visus vārstus, šļūteņu savienojumus, regulatora savienotājelementus, gāzes balona savienojumus un šuves ar ziepju šķīdumu (30 % trauku mazgāšanas šķidrums vai šķidro ziepju un 70 % ūdens). Saslapināšanu var veikt vai nu ar suku, vai nu ar smidzinātāju.
4. Uzmanīgi novērojiet, vai nekur neparādās burbuļi. Burbuļi norāda uz gāzes noplūdi.
5. Ja parādās burbuļi, aizveriet gāzes ieplūdes atveri un savelciet savienojumus vietās, kur parādās burbuļi.
6. Ja šļūtenes vidū vai uz gāzes balona parādās burbuļi, nomainiet detaļu pret jaunu.
7. Atveriet gāzes ieplūdes atveri un vēlreiz veiciet noplūdes pārbaudi.
8. Noskalojiet ziepjūdeni ar tīru ūdeni, lai novērstu rūšēšanu.

**⚠ Nelietojiet grilu, ja nevarat novērst gāzes noplūdes. Šādā gadījumā atvienojiet spiediena regulatoru no balona un sazinieties ar izplatītāju vai servisa centru.**





LV

# Grila izmantošana

## Pasākumi pirms pirmās lietošanas

Pēc noplūdes pārbaudes, pirms grils ir gatavs lietošanai, no tā ir jāizdedzina rūpnīcas glabāšanas smērviela. Glabāšanas smērvielas dedzināšana notiek, saskaņā ar turpmāk sniegtajiem norādījumiem:

1. Atveriet grila vāku un aizdedziniet visus degļus, saskaņā ar aizdedzināšanas norādījumiem.
2. Iestatiet degļus  degšanas pozīcijā un ļaujiet tiem degt 5 minūtes ar atvērtu vāku.
3. Aizveriet vāku un ļaujiet degļiem degt vēl 10 minūtes  degšanas pozīcijā.
4. Pagrieziet degļus "OFF" stāvoklī un aizveriet gāzes ieplūdi.
5. Ļaujiet grilam atdzist 15 minūtes.
6. Notīriet grila restes un pannas ar grila tīrīšanas suku.
7. Ieeļļojiet grila restes un pannas ar pārtikas eļļu.

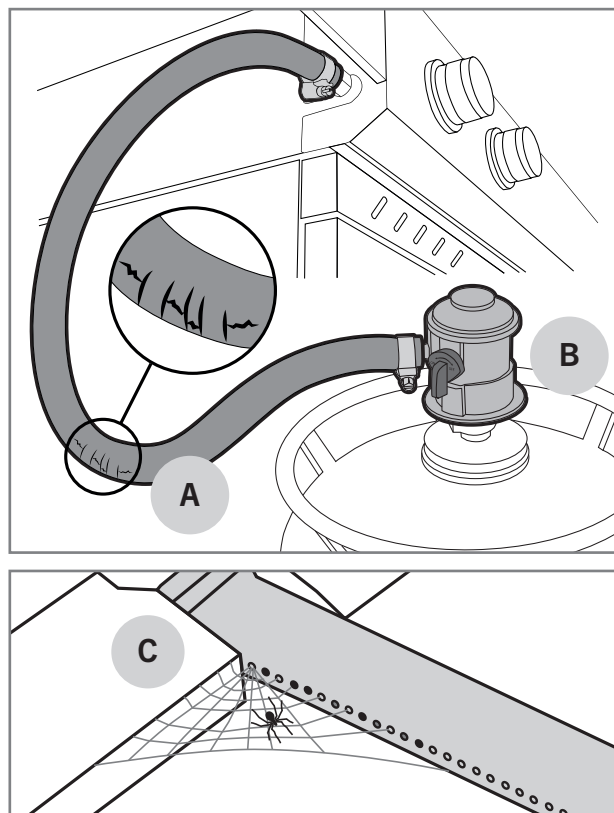
**i** Uzglabāšanas smērvielas dedzināšanas laikā no grila var izplūst nepatīkami dūmi. Tas ir normāli, un dūmi izzūd, kad uzglabāšanas smērviela ir sadegusi.

## Pasākumi pirms katras lietošanas

Lai grila lietošana būtu droša un pareiza, pirms katras lietošanas reizes ir jāveic dažas pārbaudes. Lūdzu, uzmanīgi izlasiet turpmāk sniegto kontrolsarakstu:


1. Pārbaudiet, vai grils ir pareizi novietots un vai tā tiešā tuvumā nav uzliesmojošu materiālu vai šķidrumu.
2. Pārbaudiet, vai gāzes šļūtenē nav plaisu vai plīsumu (A).
3. Pārbaudiet, vai zemspiediena regulators ir pareizi aizvērts (B).
4. Pārbaudiet, vai no grila pamatnes, tauku palātes, siltuma sadales plāksnēm un degļiem ir notīrīti tauki un marinādes. Tā novērsīs tauku nogulšņu veidošanos.
5. Pārbaudiet, vai degļu atveres nepārklāj kukaiņu veidotie pūžņi vai tīkli (C).
6. Pārbaudiet, vai grila restēs vai pannā nav grila sukas sariņu.







**!** Neizmantojiet grilu, ja gāzes šļūtene ir bojāta vai grilam trūkst detaļu.



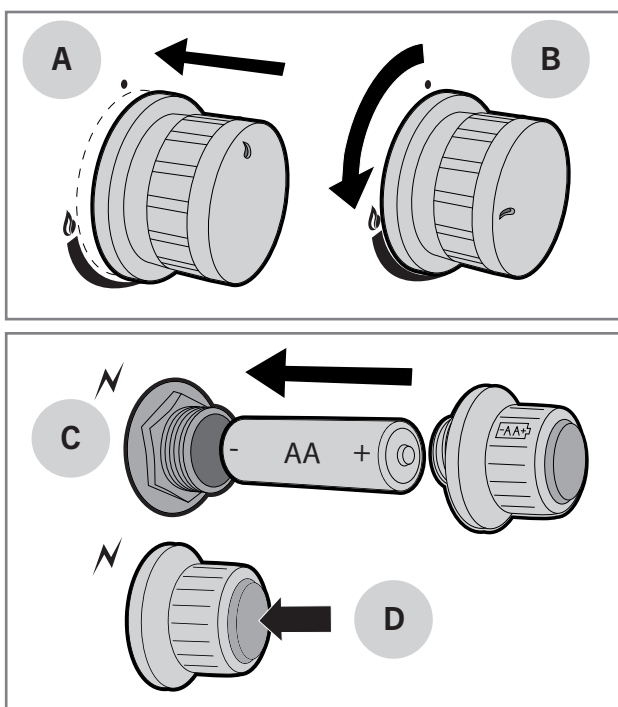
LV

## Degļu aizdedzināšana ar pjezo šķiltavām




Parasti degļus aizdedzina vai nu ar vadības slēdži integrētu pjezo degli, vai nu ar pjezo šķiltavām, kuras darbojas ar baterijām. Katram deglim ir savs vadības slēdzis. Aizdedzināšanu aktivē vadības slēdzis ar zibens  attēlu. Lai aizdedzinātu degli, rīkojieties šādi:

1. Atveriet grila vāku.
2. Atveriet gāzes iepļūdes atveri ar zemspiediena regulatoru.
3. Nospiediet degļa regulēšanas slēdzi līdz galam (A) un pagrieziet to  pozīcijā (B). Vadības slēdži integrētais pjezo aizdedzina degli.
4. Ja grilam ir ar baterijām darbināms pjezo (C), pārliecinieties, vai baterijas ir vietā un ir pareizi ievietotas. Nospiediet pjezo slēdzi līdz galam (D), līdz iedegas grila deglis.
5. Noregulējiet degļa liesmu atbilstošā jaudā starp  un  pozīciju.
6. Kad ir aizdedzināts pirmais deglis, atlikušos degļus var aizdedzināt pēc kārtas, pagriežot vadības slēdzi pretēji pulksteņrādītāja virzienam  pozīcijā.
7. Noregulējiet degļu liesmu uz atbilstošu jaudu starp  un  pozīciju.

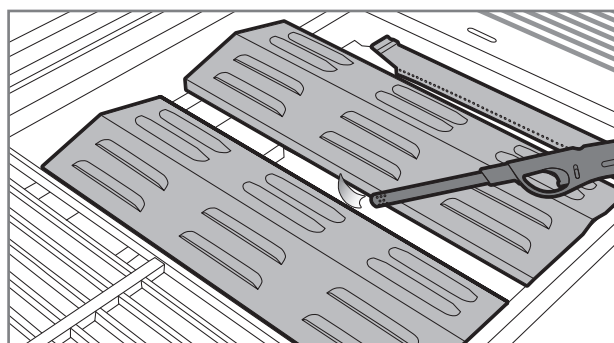
**i** Ja deglis neieslēdzas, pagrieziet slēdzi "OFF" stāvoklī un nogaidiet piecas minūtes pirms tā atkārtotas ieslēgšanas. Ja nevarat aizdedzināt degli ar pjezo šķiltavām, varat mēģināt to aizdedzināt ar garu sērkokociņu vai garām šķiltavām.






## Degļu aizdedzināšana ar sērkokociņu vai garām šķiltavām

1. Atveriet grila vāku.
2. Atveriet gāzes iepļūdes atveri ar zemspiediena regulatoru.
3. Aizdedziet garu sērkokociņu vai garas šķiltavas.
4. Nospiediet degļa regulēšanas slēdzi un pagrieziet to  pozīcijā.
5. Novietojiet garu sērkokociņu vai garas šķiltavas aptuveni centimetra attālumā no degļa.
6. Kad ir aizdedzināts pirmais deglis, atlikušos degļus var aizdedzināt pēc kārtas, pagriežot regulēšanas slēdzi pretēji pulksteņrādītāja virzienam starp  un  pozīciju.

**i** Ja piecu sekunžu laikā deglis neieslēdzas, pagrieziet vadības slēdzi uz "OFF" un mēģiniet rast risinājumu problēmu novēršanas tabulā.



## Sānu degļa aizdedzināšana

1. Atveriet sānu degļu vāku.
2. Nospiediet degļa vadības slēdzi un pagrieziet to  pozīcijā. Vadības slēdži integrētais pjezo aizdedzina degli.
3. Ja grilam ir ar baterijām darbināms pjezo, nospiediet pjezo slēdzi līdz galam, līdz iedegas grila deglis.
4. Noregulējiet degļa liesmu uz atbilstošu jaudu starp  un  pozīciju.

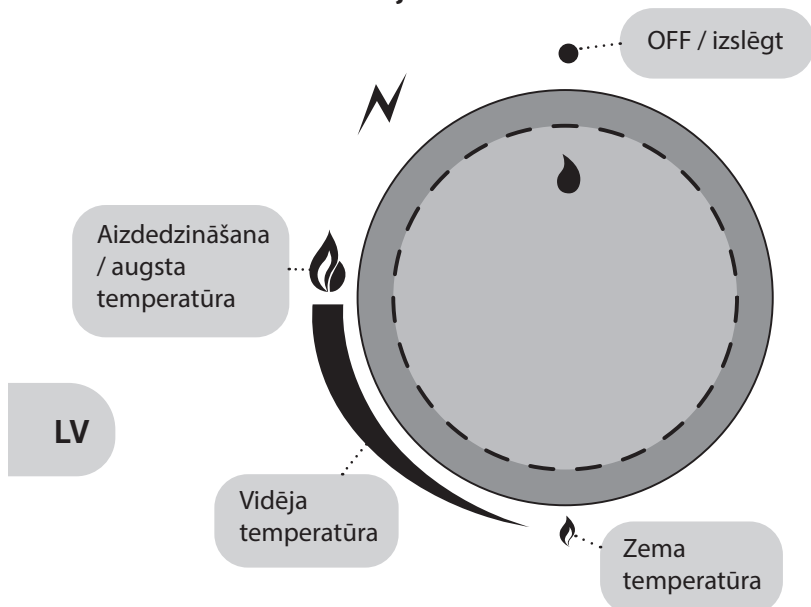
**i** Ja deglis neieslēdzas, pagrieziet slēdzi "OFF" stāvoklī un nogaidiet piecas minūtes pirms tā atkārtotas ieslēgšanas. Ja nevarat aizdedzināt degli ar pjezo šķiltavām, varat mēģināt to aizdedzināt ar garu sērkokociņu vai garām šķiltavām.



## Degļu izslēgšana

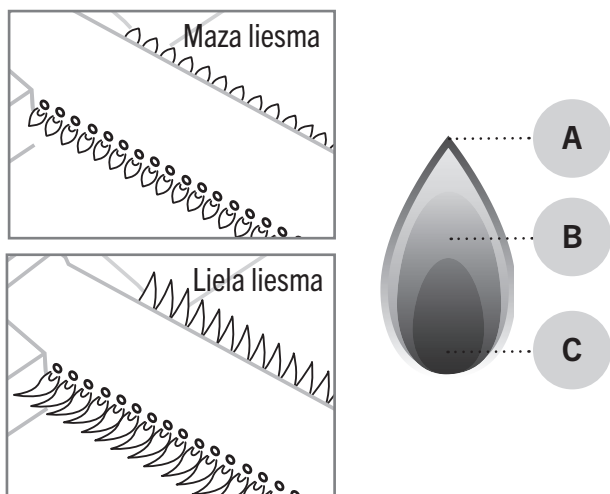
1. Izslēdziet gāzes padevi ar zemspiediena regulatoru, tā pārliecinoties, ka grilā vai gāzes šļūtenē nepaliek gāze.
2. Pagrieziet vadības slēdžus "OFF" stāvoklī.
3. Aizveriet grila vāku.
4. Atvienojiet spiediena regulatoru no gāzes balona.

## Slēdžu stāvokļi



## Liesmu pārbaude

Pārbaudiet liesmu ikreiz, kad iedezdat grilu. Degļi jau ir optimāli pielāgoti rūpnīcā, bet mazie caurumi degļos piesaista kukaiņus tur taisīt pūžņus un veidot tiklus. Ja degļi deg pareizi, tikai liesmas gals dažkārt mēdz mirgot dzeltenā krāsā (A) un liesmas krāsa mainās pakāpeniski uz leju no gaiši zilas (B) uz tumši zilu (C).



**i** Ja liesma nedeg pareizi, pārbaudiet un iztīriet degļi. Ja degļi ir bojāti, tas ir jānomaina pirms lietošanas.

## Liesmas ievilkšana

Vējinā laikā vējš var virzīt liesmu prom no degļiem uz gaisa ieplūdes atveri, izraisot liesmas aizdegšanos zem vadības paneļa. Tas var sabojāt vadības paneli, vadības slēdžus un grila vārstus. Liesmas ievilkšana rada arī neskaidras skaņas, tāpēc, ja dzirdat pārāk skaļu troksni vai sprakšķēšanu, rīkojieties šādi:

1. Izslēdziet gāzes padevi no zemspiediena regulatora.
2. Pagrieziet visus vadības slēdžus "OFF" stāvoklī
3. Atveriet grila vāku.
4. Atvienojiet spiediena regulatoru no gāzes balona.
5. Pārceļiet grilu uz aizsargātāku vietu.

**i** Garantija neattiecas uz grila bojājumiem, kas radušies liesmas uzliesmojuma dēļ.

## Liesmas uzliesmošana

Lietojot gāzes grilu neliels liesmas uzliesmojums ir normāla parādība, un tas arī piešķir ēdieniem garšu. Ja uzliesmojumu ir daudz, tas paaugstina grila iekšējo temperatūru un palielina tauku pilēšanu no grilētā ēdiena. Savukārt tas palielina tauku aizdegšanās risku. Šī iemesla dēļ tiek veikti profilaktiski pasākumi, lai izvairītos no uzliesmojumiem:

1. Pirms cepšanas uz grila, noņemiet liekos taukus no gaļas.
2. Centieties gatavot gaļu pareizā temperatūrā.
3. Pārliecinieties, ka uz tauku paplātes nav lieku tauku vai ēdienu atliekas.
4. Pārliecinieties, ka uz siltuma sadales plāksnēm nav tauku.
5. Grilējiet ar aizvērtu vāku, kad vien iespējams.

**i** Grilējot ar aizvērtu vāku, temperatūra ir vienmērīgāka un tiek patērēta mazāk gāze. Aizvērts vāks palīdz arī saglabāt mitrumu grila iekšpusē, tāpēc ēdiens tik viegli neizzūst.

# Noderīgi ieteikumi

## Vispārīgi grilēšanas norādījumi

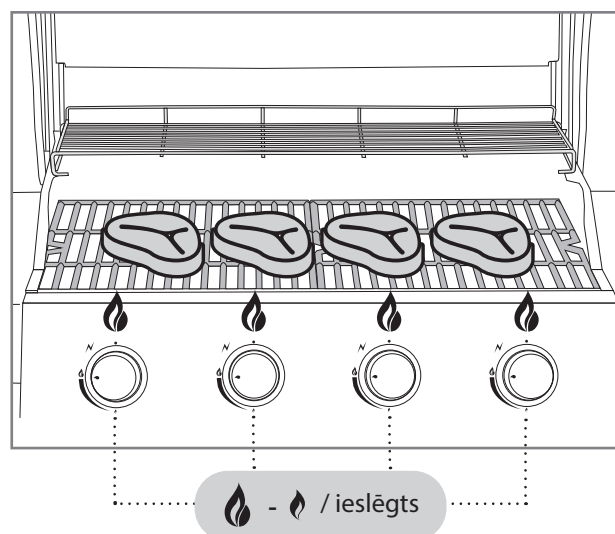
Grilēšana ir ļoti vienkārša un relaksējoša, ja vien atceraties dažas mazas nianšes un ievērojat šos vispārīgos grilēšanas norādījumus:

- **Grilam jābūt kārtīgi uzkaršētam.** Kad grila restes un pannas ir pienācīgi uzkaršētas, tiek samazināta ēdiena saķere un tiek izveidota pienācīga ēdiena gatavošanas virsma.
- **Negrilējiet ar netīru aprīkojumu!** Vecās marinādes un pārtikas atliekas viegli pielip pie režģa un grilējamā ēdiena. Pēc katras lietošanas vienmēr notīriet grila restes un pannas. Tādā veidā tie ir gatavi nākamajai lietošanai.
- Pirms sākat grilēt, pārlicinieties, ka visi nepieciešamie darbarīki, garšvielas, marinādes un trauki ir tuvumā.
- **Grilējiet ar aizvērtu vāku pēc iespējas biežāk.** Grilējot ar aizvērtu vāku, grila temperatūra nesamazinās un grilēšanas laiks tiek saīsināts.
- **Apgroziet gaļu pēc iespējas retāk,** ar vienu reizi ir pietiekami. Kad ēdiens ilgstoši atrodas uz grila pannas / restēm, uz virsmas izveidojas skaisti brūna virskārta.
- **Termometrs palīdzēs.** Pārāk ilga grilēšana sausina ēdienu un sabojā tā garšu. Lai iegūtu labākos rezultātus, izmantojiet gaļas termometru.
- **Ļaujiet gaļai atpūsties 10 – 20 minūtes** pirms gaļas sagriešanas/ēšanas. Gaļai atpūšoties, temperatūra stabilizējas un to griežot neiztek tik daudz šķidruma.

## Tieša un netieša grilēšana

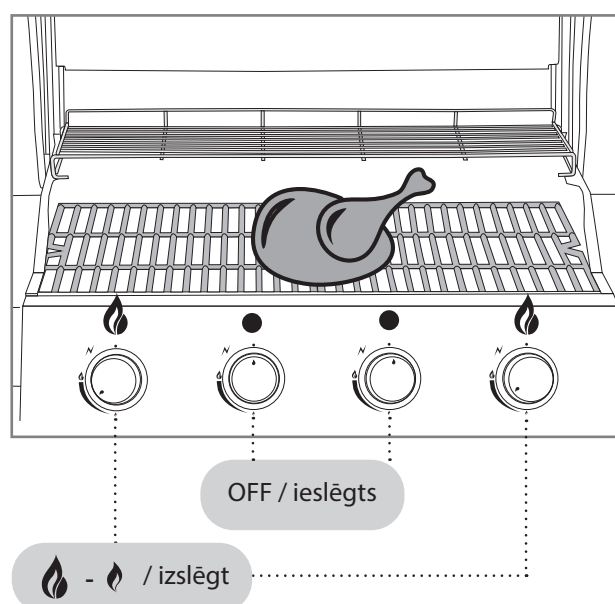
Daudzu degļu gāzes grilos varat izmantot tiešās un netiešās grilēšanas priekšrocības. Mazākus un mīkstākus ēdienus parasti grilē, izmantojot tiešo grilēšanu. Savukārt netiešo grilēšanu var izmantot lieliem un laukietilpīgiem ēdieniem, piemēram, veseliem cepešiem, vistas gaļai un zivīm. Netiešo grilēšanu izmanto arī, lai pagatavotu gaļas gabalus, kas apbrūnēti tiešajā grilēšanas procesā. Zemāk skatiet kā grilēt, izmantojot tiešo un netiešo karstumu.

## Tiešās grilēšanas iestatījumi



LV

## Netiešās grilēšanas iestatījumi



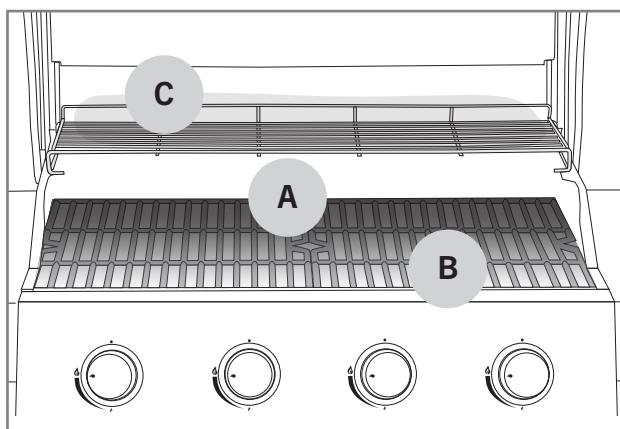


## Gatavošanas virsmas siltuma zonas

Tradicionālie, visbiežāk izmantotie gāzes degļi (cauruļu/ plākšņu degļi), rada nevienmērīgu cepšanas virsmas temperatūru. To vajadzētu uzskatīt par iezīmi, nevis problēmu. Parasti grila aizmugurējā daļa (A) ir karstāka nekā priekšējā daļa (B). Priekšējās daļas vēsā zona ir saistīta ar tā saukto Venturi cauruli, kas ir piestiprināta pie degļa. Tajā gāze un gaiss tiek sajaukti degšanai piemērotā maisījumā. Venturi caurulē liesma nedeg.

"Mustang" piedāvā arī gāzes grilu modeļus ar vienmērīgāku gatavošanas virsmu visā grila laukumā. Šajos grilos tiek izmantoti U veida degļi vai atsevišķi degļi ar Venturi caurules struktūru degļa centrā, kas atšķiras no parastās konstrukcijas. Šie risinājumi ļauj saglabāt liesmas degšanu degļa priekšpusē.

Grila aizmugurē esošās sildīšanas restes (C) ir vēsākas, tāpēc ēdienu var uzturēt siltu vai lēni gatavot netiešā karstumā.



## Marinādes

Marināžu izmantošana ir ļoti izplatīta grilēšanā, un to funkcija ir garšvielu pievienošana ēdienam, lai tas iegūtu vēlamo garšu. Tomēr marinādes izraisa arī pārtikas degšanu uz restēm un pannām. Tāpat taukainas marinādes var izlīt uz degļiem un izraisīt nevajadzīgu liesmas uzliesmojumu vai pat tauku aizdegšanos. Izmantojot šos dažus padomus, Jūs samazināsiet marinādes iespējami radītās problēmas:

1. Pirms liekat ēdienu uz grila, mēģiniet noslaucīt marinādes pārpalikumus.
2. Ja grilēšanas laikā pievienojat marinādi, vienmēr izmantojiet grila suku. Nelejiet marinādi tieši no pudeles uz ēdiena.
3. Grilēšanas laikā labāk ir izmantot sausas marinādes.

**i** Gatavu ēdienu marinēšanai neizmantojiet marinādi, kas palikusi pēc neapstrādātas marinēšanas. Jo baktērijas no jēlas gaļas tiek pārnestas uz gatavo ēdienu.

## Izvairšanās no ēdiena pielipšanas

Ēdiena pielipšana pie grila restēm / pannas ir ļoti pazīstama parādība grilētājiem. Lūk, daži padomi, kas palīdzēs izvairīties no liekas ēdiena pieķeršanās:

1. Neaizmirstiet sakarsēt grilu līdz pietiekami augstai temperatūrai.
2. Pirms ēdiena pievienošanas grilam notīriet grila restes un pannas.
3. Pirms grila uzlikšanas apsmērējiet grila zonu un grilējamo ēdienu ar eļļu.
4. Negroziet grilējamo ēdienu pārāk ātri, ļaujiet tā virsmai pienācīgi apcepties.

LV

## Grilēšanas temperatūras norādījumi

Zemāk uzskaitīti lielākajai daļai sastāvdaļu ieteicamie grilēšanas laiki un temperatūras. Grilēšanas laiku var ietekmēt vējš, lietus, āra temperatūra un grila tīrība.



### Liellops

Sastāvdaļa	Biezums / svars	Grilēšanas metode	Grilēšanas laiks
Sarkanās filejas / filejas steiks	aptuveni 2 cm.	Tiešs liels karstums	2,5 – 3,5 min. / puse
Sarkanās filejas / filejas steiks	aptuveni 5 cm.	Tiešs liels karstums Netiešs vidējs karstums	2,5 min. / puse 8–10 min.
Vesela fileja	Aptuveni 1,5 kg.	Tiešs liels karstums Netiešs vidējs karstums	3 min. / puse 20 – 30 min.
Cepetis	Aptuveni 1,5 kg.	Tiešs vidējs karstums Netiešs vidējs karstums	3 – 4 min. / puse 30 – 40 min.
Burgera gaļa	aptuveni 2 cm.	Tiešs liels karstums	2 – 3 min. / puse
Iekšējā temperatūra			
Jēla – gandrīz jēla		47 – 51 °C	
Vidēja		52 – 58 °C	
Gandrīz gatava – gatava		59 – 66 °C	

LV



### Cūkgaļa

Sastāvdaļa	Biezums / svars	Grilēšanas metode	Grilēšanas laiks
Filejas steiks, ribiņa	aptuveni 2 cm.	Tiešs liels karstums	2 – 2,5 min. / puse
Fileja	Aptuveni 600 g.	Tiešs liels karstums Netiešs vidējs karstums	3 min. / puse 20 – 30 min.
Grila ribiņas / ribiņas	Aptuveni 1,5 kg.	Netiešs vidējs karstums Tiešs liels karstums	60 – 90 min. 4 min. / puse
Cūkas kakls	aptuveni 3 cm.	Tiešs vidējs karstums Netiešs vidējs karstums	2,5 – 3 min. / puse 15 – 20 min.
Jēla desa	Aptuveni 400 g.	Tiešs zems karstums	2 – 3 min. / puse
Iekšējā temperatūra			
Gatava fileja		65 – 70 °C	
Nogatavinātas citas sastāvdaļas		65 – 70 °C	



## Vistas un tītara gaļa

Sastāvdaļa	Biezums / svars	Grilēšanas metode	Grilēšanas laiks
Krūtiņas fileja	Aptuveni 200 g.	Tiešs vidējs karstums	5 – 6 min. / puse
Stilbi	Aptuveni 120 g.	Tiešs vidējs karstums	5 – 6 min. / puse
Spārniņi	Aptuveni 500 g.	Tiešs vidējs karstums Netiešs vidējs karstums	6 – 10 min. 30 – 40 min.
Vesels broilers	Aptuveni 900 g.	Netiešs vidējs karstums	60 – 75 min.
Iekšējā temperatūra			
Gatavs		75 °C	



## Zivs

Sastāvdaļa	Biezums / svars	Grilēšanas metode	Grilēšanas laiks
Plāna fileja	Aptuveni 200 g.	Tiešs vidējs karstums	2 – 3 min. / puse
Bieza fileja	Aptuveni 120 g.	Tiešs vidējs karstums	5 – 6 min. / puse
Vesela zivs	Aptuveni 500 g.	Netiešs vidējs karstums	20 – 30 min.
Iekšējā temperatūra			
Sārta		45 – 50 °C	
Pilnīgi gatava		55 – 60 °C	



## Dārzeņi


Sastāvdaļa	Biezums / svars	Grilēšanas metode	Grilēšanas laiks
Nobriedusi kukurūza		Tiešs vidējs karstums	6 min.
Tomāti		Tiešs vidējs karstums	6 min. / puse
Sparģeļi		Tiešs vidējs karstums	3 – 5 min.
Kartupeļu šķēlītes		Tiešs vidējs karstums Netiešs vidējs karstums	5 – 8 min. 10 – 15 min.
Svaigi kartupeļi		Netiešs vidējs karstums	45 – 60 min.

# Grila tīrīšana un uzglabāšana

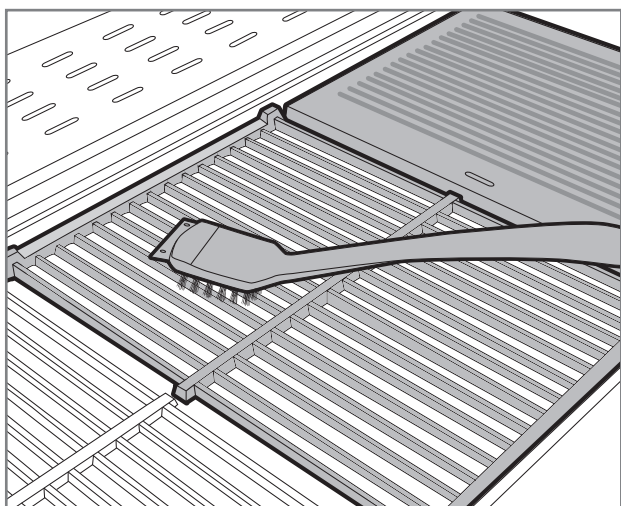
Grila kalpošanas laiks tiks ievērojami pagarināts, ja regulāri rūpēsities par grila tīrīšanu un apkopi. Ja grils pietiekami neuzkarst vai ēdiens viegli pielīp pie pannas, grils nav tīrīts vai uzturēts atbilstoši norādījumiem. Pēc katras lietošanas reizes veiciet šādas tīrīšanas darbības.

## Grila restes un pannas

Ja ēdiens vai marināde ir pielīpusi pie grilēšanas restēm/pannām, rīkojieties šādi:

1. Pārlicinieties, ka grils ir izslēgts.
2. No virsmām notīriet nokritušo ēdienu un taukus, piemēram, ar virtuves papīra dvieli.
3. Aizdedziniet grilu, saskaņā ar norādījumiem un iestatiet degļus  pozīcijā.
4. Aizveriet vāku un ļaujiet grilam uzkarst 5 – 10 minūtes.
5. Izslēdziet grilu un atveriet vāku.
6. Ļaujiet grilam atdzist aptuveni 10 minūtes.
7. Notīriet piedegušo ēdienu un netīrumus ar grila tīrīšanas birsti (A).
8. Notīrītās grila restes un režģus ieeļļojiet ar pārtikas eļļu, piemēram, papildu izmantojot virtuves papīra dvieli vai grilēšanas birsti.

**i** Tīrīšanai neizmantojiet metināšanas tērauda birsti, jo tā var sabojāt grila virsmas. Garantija neattiecas uz bojājumiem, kas radušies šādas stieplu birstes izmantošanas dēļ.



## Tauku paplāte un trauks

Visbiežākais tauku aizdegšanās cēlonis ir netīra tauku paplāte. Ja uz tauku paplātes vai trauka ir redzami ēdiena gabaliņi vai marināde, tauku paplāte nekavējoties jātīra šādi: Trauku paplātē nedrīkst palikt tauku peļķes.

1. Pārlicinieties, ka grils ir izslēgts.
2. Izņemiet tauku paplāti / trauku no grila.
3. Noskrāpējiet nokritušo ēdienu un taukus, izmantojot grila tīrīšanas birstes skrāpja daļu vai plastmasas lāpstiņu.
4. Nomazgājiet tauku paplāti / trauku ar maigu trauku mazgāšanas līdzekli.
5. Izzāvējiet un ievietojiet iztīrīto tauku paplāti / trauku atpakaļ grilā.

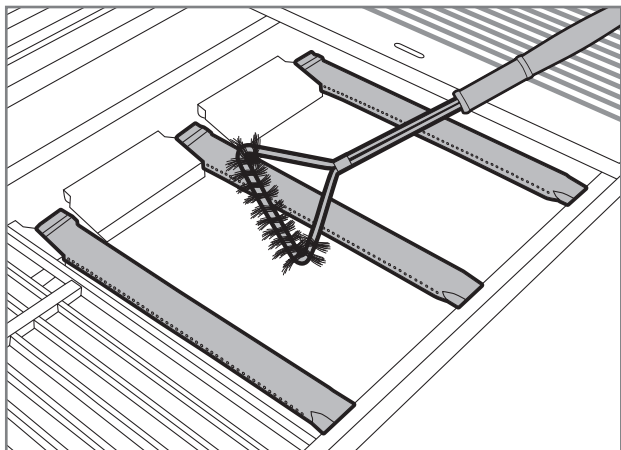
**i** Tīrīšanu var atvieglot, uzklājot foliju tauku paplātes virspusē, lai savāktu lieko ēdienu un taukus. Tīrīšanas laikā noņemiet tikai netīro foliju.

LV

## Degļi

Degļi ir vissvarīgākie grila darbībai un sildīšanai, tāpēc regulāri jāpārbauda to tīrība un stāvoklis. Degļi jāizņem un jāpārbauda vismaz divas reizes gadā, jo īpaši pavasarī pēc ziemas uzglabāšanas vai pēc citiem ilgjiem uzglabāšanas periodiem. Nelieli caurumi degļos piesaista kukaiņus un zirnekļus, kas tajos ierīko ligzdas. Šie aizsprostojumi izraisa nevienmērīgu un netīru liesmu. Aizsprostojumi var izraisīt liesmas aizdegšanos ārpus gāzes caurules, kas savukārt var nopietni sabojāt grilu. Degļu tīrīšana tiek veikta šādi:

1. Pārlicinieties, ka grils ir izslēgts.
2. Noņemiet grila restes / pannas un siltuma sadales plāksnes.
3. Noņemiet degļi no kurtuves, atskrūvējot stiprinājuma skrūvi. Stiprinājuma skrūve parasti atrodas degļu aizmugurē.
4. Dažos modeļos degļu noņemšanai ir nepieciešams noņemt grila aizmugurējās plāksnes.
5. Dažus grila modeļus ir viegli tīrīt pat tad, ja degļi atrodas savās vietās. Svarīgākais ir piekļūt visiem mazajiem gāzes caurumiem.
6. Degļu virsmu tīrīšanai izmantojiet misiņa grila tīrīšanas birsti.
7. Pārlicinieties, ka degļu caurumi ir atvērti un tīri. Varat izmantot arī plānu dzelzs stiepli.
8. Ja deglis ir bojāts un / vai stipri sarūsējis, nekavējoties nomainiet to.
9. Tajā pašā laikā pārbaudiet, vai vārsta sprausla ir tīra un neskarta.
10. Uzlieciet iztīrītos degļus atpakaļ vietā.

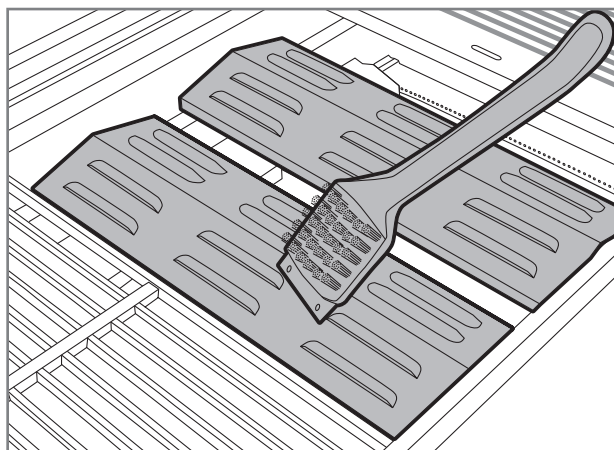


## Siltuma sadales plāksnes

Siltuma sadales plāksnes sadala siltumu vienmērīgi visā grila zonā. Uz karstuma sadales plāksņu virsmas uzkrājas arī ēdienu atliekas un marinādes. Netīras siltuma sadales plāksnes samazina grila efektivitāti. Notīriet siltuma sadales plāksnes šādi:

1. Pārlicinieties, ka grils ir izslēgts.
2. Noņemiet no grila siltuma sadales plāksnes.
3. Noskrāpējiet lieko ēdienu no siltuma sadales plāksņu virsmas ar tīrīšanas birstes skrāpja daļu vai plastmasas lāpstiņu.
4. Visbeidzot notīriet visus atlikušos netīrumus ar misiņa grila tīrīšanas birsti.
5. Varat arī mazgāt siltuma sadales plāksnes izlietnē ar maigu trauku mazgāšanas līdzekli, ja vēlaties.
6. Izzāvējiet un ievietojiet iztīrītās siltuma sadales plāksnes atpakaļ grilā.

**i** Nemazgājiet siltuma sadales plāksnes trauku mazgājamajā mašīnā.





## Citas grila daļas

Papildus iepriekš minētajām daļām, grilam ir daudzas citas tērauda daļas, kas arī ir regulāri jātīra. Šīm detaļām var izmantot šādas vispārīgas vadlīnijas:

1. Grila tērauda daļas notīriet ar "Mustang" grila tīrīšanas līdzekli, "Mustang" nerūsējošā tērauda tīrīšanas līdzekli vai maigu trauku mazgāšanas līdzekli un tīrīšanas drānu.
2. Neaizmirstiet rūpīgi nosusināt notīrītās detaļas.
3. Vadības paneļa un brīdinājuma teksta virsmu tīrīšanai nelietojiet mazgāšanas līdzekļus, jo tie var izdzēst tekstus vai citus drošības marķējumus.
4. Vismaz trīs reizes gadā notīriet visas grila ārējās virsmas, lai novērstu netīrumu pielipšanu pie virsmām.
5. Vienmēr pārbaudiet jauna tīrīšanas līdzekļa piemērotību neuzkrītošā vietā.

**i** **Hlors un sāls var izraisīt grila rūšēšanu. Tātad, ja lietojat grilu jūras vai peldbaseina tiešā tuvumā, grils ir jātīra katru nedēļu.**

## Koka daļu tīrīšana

Ja grilam ir koka daļas, tās ir jātīra un jāapkopj, kā norādīts tālāk.

1. Regulāri notīriet visas koka daļas, noslaukot tās ar mitru lupatiņu un maigu ziepju un ūdens maisījumu.
2. Rūpīgi nosusiniet notīrītās virsmas.
3. Vismaz divreiz gadā apstrādājiet koka daļas ar tirdzniecībā pieejamu bezkrāsainu koksnes eļļu, kas paredzēta āra mēbelēm. Tas novērsīs koka daļu izžūšanu un saplaisāšanu.
4. Pirms faktiskās apstrādes pārbaudiet koksnes eļļu un visus pārējos kondicionierus uz maza, nepamanāma laukuma, lai pārlicinātos par tās piemērotību. Apstrādājot koka daļas, vienmēr ievērojiet ražotāja norādes.

## Glabāšana

Skatiet šos norādījumus, ja Jūs ilgāku laiku nelietojat grilu vai vēlaties novietot grilu glabāšanai ziemas sezonai. Pareizi uzglabāts grila aprīkojums paildzinās Jūsu grila kalpošanas laiku un gadu no gada uzturēs to darba kārtībā. Uzglabājot grilu, ievērojiet šādus norādījumus:

1. Rūpīgi notīriet grilu, saskaņā ar lietošanas pamācībā sniegtajiem norādījumiem.
2. Iedeziniet grilu un ļaujiet tam uzsilt apmēram 15 minūtes, līdz visas tērauda daļas ir sausas.
3. Ļaujiet grilam atdzist.
4. Pārlicinieties, ka visas grilēšanas restes un panas ir ieeļļotas.
5. Ja grils tiek uzglabāts ārā, noņemiet no grila degļus, režģus, restes, sildīšanas restes un siltuma sadales plāksnes. Šīs detaļas jāuzglabā sausā un siltā vietā. Lai izvairītos no virsmu saskrāpēšanas, šīs detaļas ir atsevišķi jāietin, piemēram, avīzē.
6. Atvienojiet zemspiediena regulatoru no gāzes balona.
7. Vienmēr uzglabājiet balonu ārpus telpām un pārlicinieties, ka tas nav pakļauts karstumam vai tiešiem saules stariem.
8. Ja grilu uzglabājat ārā, iegādājieties kvalitatīvu aizsargpārklājumu, kas to nosedz līdz pat apakšējai malai. Neaizmirstiet pārlicināties, lai gaiss arī zem pārsega varētu cirkulēt.

**i** **Neglabājiet grilu vietās, kur no jumta kūstošs sniegs var nokrist uz grila. Garantija neattiecas uz bojājumiem, kas radušies sniega un ledus dēļ.**

# Problēmu novēršana

Visiem griliem var būt darbības traucējumi. Šie defekti parasti ir viegli novēršami. Ja zemāk redzamajā diagrammā neatrodāt atbildi uz savu problēmu, sazinieties ar izplatītāju.

Problēma	Iespējamais iemesls	Risinājums
Gāzei nav plūsmas	Zemspiediena regulators ir aizvērts	Atveriet gāzes ieplūdes atveri no spiediena regulatora vadības ierīces
	Zemspiediena regulators nav pareizi pievienots balonam	Atvienojiet zemspiediena regulatoru un uzmanīgi pievienojiet to no jauna
	Bojāta gāzes šļūtene vai spiediena regulators	Nomainiet gāzes šļūteni vai spiediena regulatoru un veiciet noplūdes pārbaudi
Deglis neaizdegas ar pjezo, kas darbojas ar baterijām	Baterijas ir izlādējušās vai nav ievietotas	Nomainiet baterijas
	Šķiltavu vadi ir atvienojušies vai nepareizi savienoti	Pārbaudiet savienojumus un pievienojiet vadus no jauna
	Šķiltavas ir bojātas	Nomainiet šķiltavas
Deglis neaizdegas ar sērskociņu vai šķiltavām	Degļa atveres ir aizsprostotas	Iztīriet degļus, saskaņā ar norādījumiem
	Degļi nav pareizi savienoti ar vārstiem	Pārbaudiet degļu uzstādīšanu un stāvokli
Grils kārtīgi neuzsilst	Gaisa padeve uz degļiem ir traucēta	Pārbaudiet un notīriet degļus
	Pārāk maz gāzes	Nomainiet gāzes balonu ar jaunu
	Gāzes padeve ir bloķēta	Pārbaudiet, vai gāzes padeves šļūtene nav bojāta vai sastiepta
Liesma ir nevienmērīga vai deg pilnīgi dzeltena, vai dūmo	Degļi nesaņem pietiekami daudz gaisa	Iztīriet degļus, saskaņā ar norādījumiem
	Uz degļu virsmas ir iestrēdzis ēdiens, sāls vai marinādes	
Pārmērīgs liesmas uzliesmojums vai pārāk augsta temperatūra	Pārāk daudz tauku un marinādes uz pārtikas virsmas	Noslaukiet liekos taukus
	Siltuma sadales plāksnes vai tauku paplāte ir pārāk netīra	Notīriet lieko ēdienu vai taukus no siltuma sadales plāksnes vai tauku paplātes
Liesma nodziest	Pārāk stiprs vējš	Pārvietojiet grilu aizvējā
	Trūkst gāzes	Nomainiet gāzes balonu
Liesmas ir redzamas degļu ārpusē	Aizsprostojumi degļos	Pārbaudiet un notīriet degļus
	Stiprs vējš	Pārvietojiet grilu aizvējā
Spiediena regulators dūc / rūc	Augsta āra temperatūra	Nav nepieciešams rīkoties. Īslaicīgs stāvoklis
	Pilns gāzes balons	

LV



# Garantija

Šim "Mustang" gāzes grilam ir 10 gadu ražošanas un materiālu garantija. Apstipriniet jaunākos garantijas noteikumus mūsu tīmekļa vietnē

**[mustang-grill.com](http://mustang-grill.com)**

Saistībā ar visiem garantijas jautājumiem, Jums būs nepieciešams uzrādīt čeku, kas apliecina pirkuma vietu un datumu.

LV





# MUSTANG

LT

**Naudotojo vadovas**

---



# Sveiki atvykę į „Mustang“ kepsninių pasaulį

Labai džiaugiamės, kad pasirinkote dujinę „Mustang“ kepsninę. „Mustang“ nori tapti jūsų grilio draugu ir suteikti svajonių potyrius naudojantis kepsnine. „Mustang“ atsirado iš noro atsipalaidavus ir neskubant mėgautis maisto gamyba su šeima ar draugais, tad tą pačią idėją norime pasiūlyti ir jums.

„Mustang“ kepsninės ir priedai yra rūpestingai planuojami ir gaminami, tad galime drąsiai jais didžiuotis. Mūsų ilgalaikė patirtis ir profesionalumas regimi kiekviename mūsų gaminyje, kurie turi visas svarbiausias funkcijas bei savybes. Esame tikri, kad ši kepsninė jus džiugins ilgą laiką, tik svarbu nepamiršti jos prižiūrėti ir valyti pagal šio naudojimo vadovo instrukcijas.

## Visapusiškas kepsninių asortimentas

„Mustang“ yra Suomijos įmonei „Tammer Brands Oy“ priklausantis prekės ženklas. „Mustang“ siūlo visą kepsninių įrangą, priedus, reikmenis ir atsargines dalis bei platų rūkymui ir picų kepimui skirtų gaminių pasirinkimą. Puikiai pažįstame kepsninių kultūrą, tad galime užtikrintai pasiūlyti pačius tinkamiausius ir šiuolaikiškiausius gaminius. Taigi, „Mustang“ yra toks prekės ženklas, kurio vieno pakanka sėkmingam maisto ruošimui kepsninėje.

## Klientų aptarnavimas

Tammer Brands Oy,  
Tel. 03 252 1111  
Viinikankatu 36,  
33800 Tampere, Suomija

**TAMMER**  
BRANDS | EST 1954

[mustang-grill.com](http://mustang-grill.com)

LT



Prieš naudodami kepsninę atidžiai perskaitykite naudojimo instrukcijas ir jas išsaugokite vėlesnėms reikmėms.

Sekite mus socialiniuose tinkluose



**mustanggrill**

  
**MUSTANG**

# Turinys

<b>Surinkimo nurodymai</b> .....	3
Prieš surinkimą .....	7
<b>Saugos instrukcijos ir įspėjimai</b> .....	158
Kepsninės naudojimo vieta .....	158
Su dujomis susijusios saugos instrukcijos .....	158
Bendrosios saugos instrukcijos .....	159
<b>Dujų prijungimas prie kepsninės</b> .....	160
Informacija apie suskystintas dujas .....	160
Dujų žarnos prijungimas .....	160
Žemo slėgio reguliatoriaus prijungimas .....	161
Suskystintų dujų nuotėkio tikrinimas .....	161
<b>Kepsninės naudojimas</b> .....	162
Veiksmai prieš pirmą naudojimą .....	162
Veiksmai prieš kiekvieną naudojimą .....	162
Degiklių uždegimas pjezo uždegikliu .....	163
Degiklio uždegimas degtuku arba ilgu žiebtuvėliu .....	163
Šoninės viryklės degiklių uždegimas .....	163
Degiklių išjungimas .....	164
<b>Reguliatorių padėtys</b> .....	164
Liepsnos tikrinimas .....	164
Liepsnos įtraukimas .....	164
Ugnies įsiliepsnojimas .....	164

LT



<b>Naudingi patarimai</b> .....	165
Bendrosios kepimo instrukcijos .....	165
Tiesioginis ir netiesioginis kepimas .....	165
Tiesioginio kepimo parametrai .....	165
Netiesioginio kepimo parametrai .....	165
Kepimo ploto temperatūros zonos .....	166
Marinatai .....	166
Ką daryti, kad maistas nepriliptų .....	166
Kepimo temperatūrų vadovas .....	167
<b>Kepsninės išvalymas ir sandėliavimas</b> .....	169
Kepsninės ir kepimo grotelės .....	169
Riebalų surinkimo padėklas ir indas .....	169
Degikliai .....	170
Kaitinimo plokštės .....	170
Kitos kepsninės dalys .....	171
Medinių dalių valymas .....	171
Laikymas .....	171
<b>Trikčių diagnostika</b> .....	172
<b>Garantija</b> .....	173

LT



## Saugos instrukcijos ir įspėjimai

Prieš pradėdami naudoti šią dujinę kepsninę privalote atidžiai viską perskaityti ir įsigilinti į šiame naudojimo vadove pateiktus įspėjimus bei saugos instrukcijas. Ši kepsninė turi CE ženklinaimą pagal galiojančius teisės aktus.

Simbolių paaiškinimas



PAVOJUS!



DĖMESIO!

### Kepsninės naudojimo vieta



Ši kepsninė numatyta naudoti tik lauke, jos niekada nenaudokite vidaus patalpose arba uždaroje vietoje. Peržiūrėkite toliau pateiktus svarbius dalykus.

- Kepsninę naudokite tik lauke.
- Nestatykite kepsninės prie sienos, garaže, kemperyje, turistiniame namelyje, kitose uždaroje ar vidaus patalpose.
- Pasirūpinkite, kad aplink kepsninę iš visų pusių ir viršuje liktų bent metro tarpas.
- Pasirūpinkite, kad prie kepsninės būtų gaisro gesinimo audeklas / rankinis gesintuvas ir pirmosios pagalbos vaistinėlė.
- Kepsninės negalima statyti ant lengvai pažeidžiamo paviršiaus arba netoli jo, nes įprasto naudojimo metu iš jos gali lašėti arba tekėti riebalai ir marinatas.
- Pasirūpinkite, kad kepsninė ir dujų balionas stovėtų ant horizontalaus pagrindo.

### Su dujomis susijusios saugos instrukcijos



Kepsninės pagrindinį vožtuvą, degiklius ir dujų čiaupus gali prižiūrėti ir reguliuoti tik teisę montuoti dujinius prietaisus turinti įmonė. Peržiūrėkite toliau pateiktus svarbius dalykus.

- Po naudojimo visada užsukite dujų balioną ir nuimkite nuo jo žemo slėgio reguliatorių.
- Su suskystintų dujų balionais elkitės atsargiai, jų nemėtykite ir netrankykite. Nelaikykite suskystintų dujų baliono ten, kur temperatūra gali viršyti +50 °C.
- Prieš naudojimą visada patikrinkite dujų žarnos būklę.
- Reguliariai atlikite nuotėkio patikrinimą, laikydamiesi instrukcijų. Nuotėkio patikrinimą ypač svarbu atlikti, jei ilgą laiką nenaudojote kepsninės, pakeitėte dujų balioną, slėgio reguliatorių ar žarną.
- Pajutę stiprų dujų kvapą, iš karto užsukite dujų tiekimą ir visus reguliatorius persukite į OFF padėtį. Tada atidarykite kepsninės dangtį, atlikite nuotėkio patikrinimą ir sutvarkykite jungtis. Jei gedimo nepavyko nustatyti, susisiekite su techninės priežiūros arba prekybos įmone.
- Niekada netikrinkite dujų nuotėkio su atvira liepsna.
- Neatjunkite dujų žarnos ar slėgio reguliatoriaus, kol kepsninė naudojama.

## Bendrosios saugos instrukcijos



**Kepsninės naudojimas ne pagal paskirtį gali sukelti pavojų, be to, draudžiama atlikti net ir smulkius kepsninės konstrukcijos pakeitimus. Peržiūrėkite toliau pateiktus svarbius dalykus.**

- Tiksliai laikykitės surinkimo instrukcijų ir žinokite, kad surinkus kepsninę negali likti nepanaudotų detalių. Nesilaikant instrukcijų arba nepritvirtinus visų detalių, gali vėliau kilti problemų naudojimo metu. Už tinkamą kepsninės surinkimą atsako naudotojas.
- Prieš kepsninės naudojimą perskaitykite naudojimo instrukcijas ir išsaugokite jas vėlesnėms reikmėms.
- Naudojama kepsninė įkaista, tad būkite ypatingai budrūs, jei netoliese būtų vaikų, senyvų žmonių ar naminių augintinių.
- Prie pat kepsninės neturi būti lengvai užsidegančių medžiagų, skysčių ar neprijungtų dujų balionų.
- Užkurdami kepsninę nesilenkite virš jos.
- Naudojimo metu kepsninės negalima palikti be priežiūros.
- Naudojamos kepsninės nekilnokite iš vienos vietos į kitą.
- Naudodami kepsninę nepamirškite karščiui atsparių pirštinių.
- Pasirūpinkite, kad kepsninės dugnas, riebalų surinkimo padėklas, kaitinimo plokštės ir degikliai būtų švarūs, neaptašyti riebalais ir marinatu.
- Nenaudokite kepsninės, jei ji neveikia taip, kaip reikia.
- Neleiskite vaikams naudoti kepsninės.
- Alkoholis, receptiniai vaistai ir įvairios svaiginamosios medžiagos gali paveikti gebėjimą saugiai ir tinkamai naudoti kepsninę.

# Dujų prijungimas prie kepsninės

## Informacija apie suskystintas dujas

Prieš kepsninės naudojimą reikia įsigyti dujų balioną, žemo slėgio reguliatorių ir dujų žarną. **Jie neprisidėti prie kepsninės.**

Suskystintos dujos - itin lengvai užliepsnojančios naftos dujos, laikomos slėginiuose dujų balionuose. Suskystintų dujų balionai būna 5-11 kg svorio. Patikrinkite, ar nupirkta balionas nėra įlenktas, aprūdijęs, ar nepažeistas jo vožtuvas. Dujų balioną visada gabenkite vertikaliaje padėtyje ir gerai įtvirtintą. Buitinis dujų balionas turi būti ne daugiau nei 615 mm aukščio ir 310 mm skersmens.

Dujos iš baliono į kepsninę tiekiamos per žemo slėgio reguliatorių ir dujų žarną. Žemo slėgio reguliatorius užtikrina tolygų dujų srautą į kepsninę.

**⚠** Prie baliono jungiamas slėgio reguliatorius negali būti reguliuojamas, jo darbinis slėgis turi siekti 30 mbar.

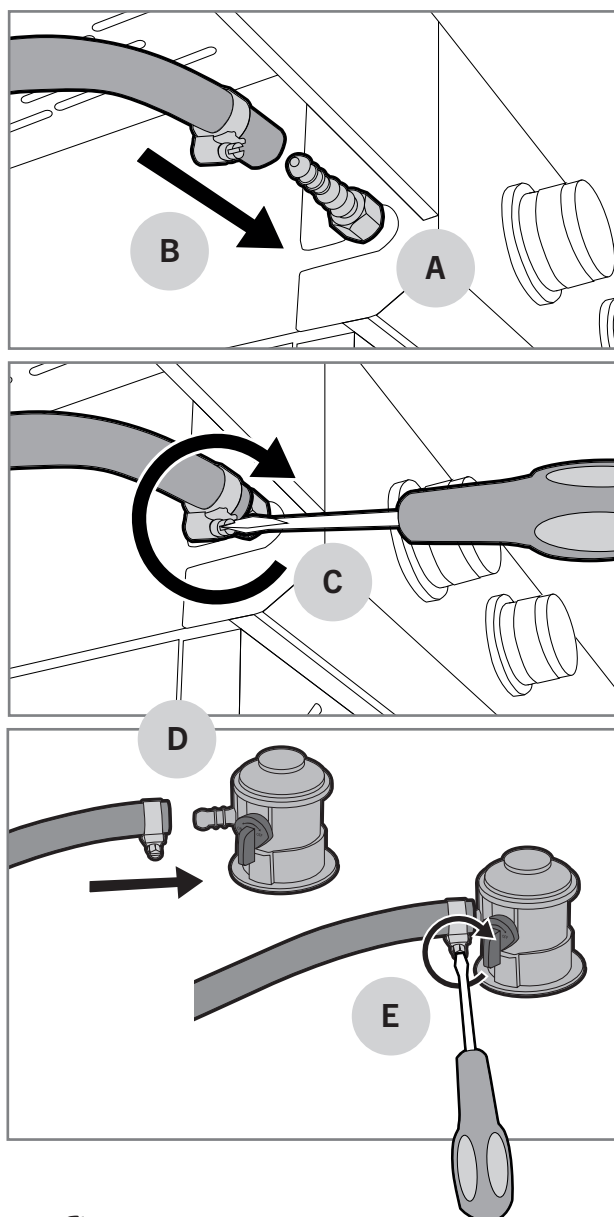
**⚠** Dujų žarna turi būti ne ilgesnė nei 1,2 m, jos skersmuo negali viršyti 10 mm (Dėmesio: Švedijoje maks. 8 mm).

**i** Slėgio reguliatorius turi atitikti standartą EN16129. Ant slėgio reguliatoriaus pažymėtas 29 mbar darbinis slėgis pagal nominalų slėgį.

**i** Dujų žarna turi atitikti standartą EN16436.

## Dujų žarnos prijungimas

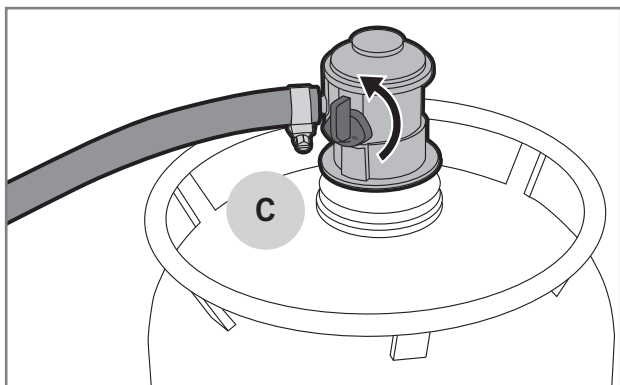
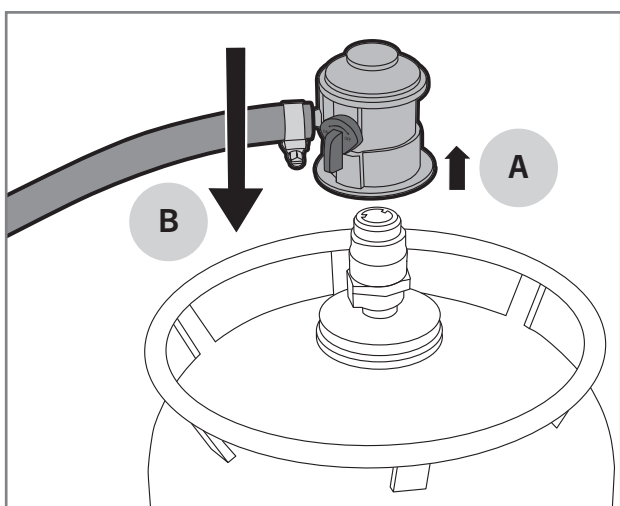
1. Patikrinkite dujų žarnos būklę.
2. Patikrinkite, ar visi kepsninės mygtukai yra OFF padėtyje.
3. Patikrinkite, ar gerai pritvirtintas kepsninės žarnos lizdas (A).
4. Įstatykite dujų žarną sandariai ir kuo giliau į lizdą (B).
5. Užveržkite žarną kepsninės lizde žarnos spaustuku (C).
6. Kitą dujų žarnos galą įstatykite į žemo slėgio reguliatoriaus lizdą (D).
7. Užveržkite žarną slėgio reguliatoriaus lizde žarnos spaustuku (E).



LT

## Žemo slėgio reguliatoriaus prijungimas

1. Patikrinkite žemo slėgio reguliatoriaus būklę.
2. Prijunkite slėgio reguliatorių prie baliono traukdami užrakto žiedą aukštyn (A) ir tuo pačiu spausdami reguliatorių į balioną (B).
3. Patikrinkite prijungimą stipriai trūktelėdami reguliatorių aukštyn.
4. Lėtai atsukite reguliatoriumi dujas, kad išsilygintų slėgis (C).



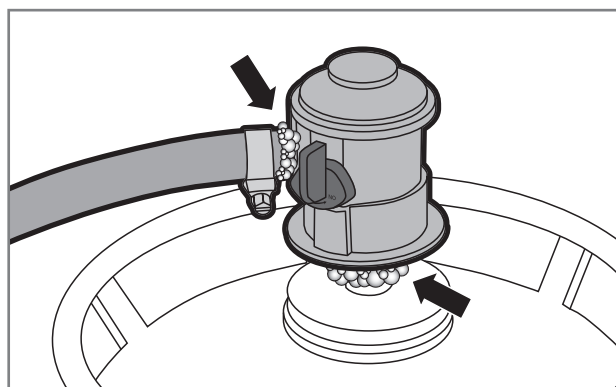
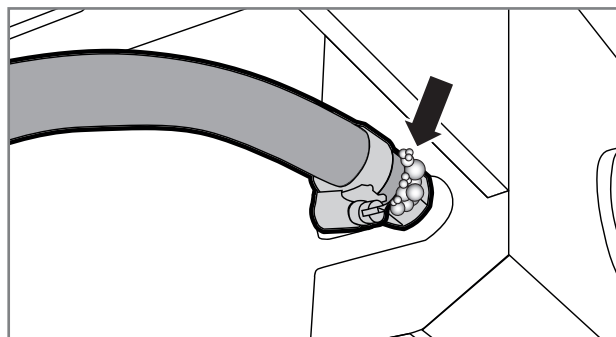
## Suskystintų dujų nuotėkio tikrinimas

Pakeitus dujų balioną, slėgio reguliatorių arba dujų žarną, reikia visada patikrinti, ar nėra nuotėkio. Be to, patikrinimą reikia reguliariai atlikti kasmet ir ypač po ilgesnių sandėliavimo periodų. Nuotėkį visada tikrinkite pagal toliau pateiktą instrukciją.

1. Atidarykite kepsninės dangtį ir patikrinkite, ar visų degiklių reguliatoriai yra OFF padėtyje.
2. Atsukite žemo slėgio reguliatorių.
3. Visus vožtuvus, žarnos ir slėgio reguliatoriaus tvirtinimo vietas, dujų baliono jungtis ir suvirinimo siūles sudrėkinkite muilo tirpalu (30 % indų ploviklio arba skysto muilo ir 70 % vandens). Tam galima naudoti šepetį arba purškiamą buteliuką.
4. Atidžiai stebėkite, ar neatsiras oro burbuliukų. Burbuliukai rodo, kad yra dujų nuotėkis.
5. Pastebėję burbuliukus, užsukite dujas ir užveržkite sujungimus ten, kur atsirado burbuliukų.
6. Jei burbuliukų pasirodo ant žarnos arba dujų baliono, tą dalį reikia pakeisti.
7. Atsukite dujas ir iš naujo tikrinkite nuotėkį.
8. Muilo tirpalą nuplaukite švariu vandeniu, kad dalys nepradėtų rūdyti.

**!** Jei nepavyko pašalinti dujų nuotėkio priežasties, kepsninės nenaudokite. Nuimkite nuo dujų baliono slėgio reguliatorių ir susisiekite su techninės priežiūros įmone / pardavėju.

LT







# Kepsninės naudojimas

## Veiksmai prieš pirmą naudojimą

Po nuotėkio patikrinimo, prieš naudojant kepsninę reikia sudeginti joje esančius gamyklinius sandėliavimo tepalus. Jie deginami pagal toliau pateiktą instrukciją.

1. Atidenkite dangtį ir uždekite visus kepsninės degiklius pagal uždegimo instrukciją.
2. Atsukite degiklius  stiprumu ir palaikykite 5 minutes su atidengtu dangčiu.
3. Uždarykite dangtį ir palikite degiklius degti 10 minučių  stiprumu.
4. Pasukite degiklius į OFF padėtį ir išjunkite dujas.
5. Palaukite 15 minučių, kol kepsninė atvės.
6. Išvalykite kepsninės ir kepimo groteles kepsninių valymo šepėčiu.
7. Sutepkite kepsninės ir kepimo groteles maistiniu aliejumi.

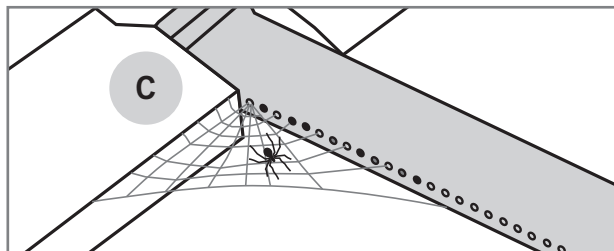
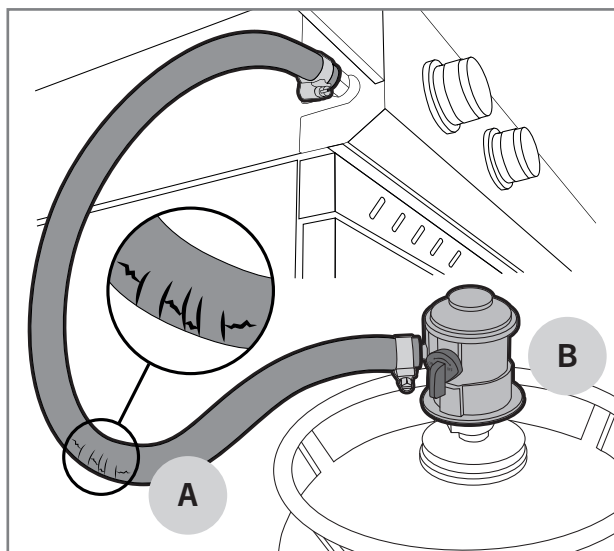
**i** Sandėliavimo tepalų deginimo metu iš kepsninės gali sklįsti nemalonūs dūmai. Tai visiškai normalu ir dūmų nebeliks, kai sandėliavimo tepalai sudegs.

## Veiksmai prieš kiekvieną naudojimą

Norint kepsninę naudoti saugiai ir tinkamai, reikia prieš kiekvieną naudojimą patikrinti kelis dalykus. Atidžiai peržiūrėkite toliau pateiktą tikrinimų sąrašą.

1. Patikrinkite, ar kepsninė pastatyta tinkamoje vietoje, ar prie pat jos nėra lengvai užsiliepsnojančių medžiagų arba skysčių.
2. Patikrinkite, ar dujų žarnoje nėra įtrūkimų ar įplyšimų (A).
3. Patikrinkite, ar gerai pritvirtintas žemo slėgio reguliatorius (B).
4. Patikrinkite, ar kepsninės dugnas, riebalų surinkimo padėklas, kaitinimo plokštės ir degikliai yra švarūs, neaptašyti riebalais arba marinatu. Taip išvengsite riebalų užsidegimo.
5. Patikrinkite, ar degiklių skylutėse nėra vabzdžių lizdų arba voratinklų (C).
6. Patikrinkite, ar kepsninės arba kepimo grotelėse neliko valymo šepėčio šerių.

**!** Nenaudokite kepsninės, jei pažeista dujų žarna arba trūksta reikiamų dalių.

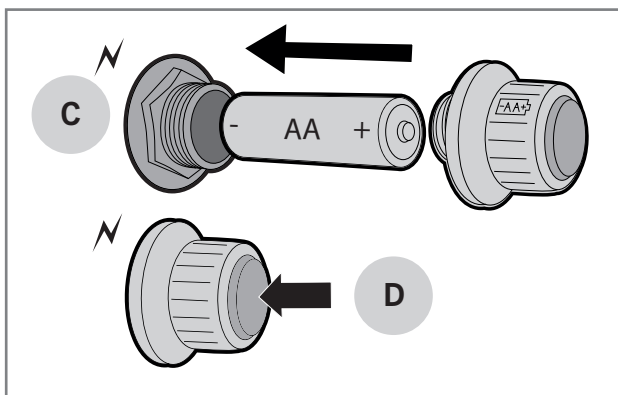
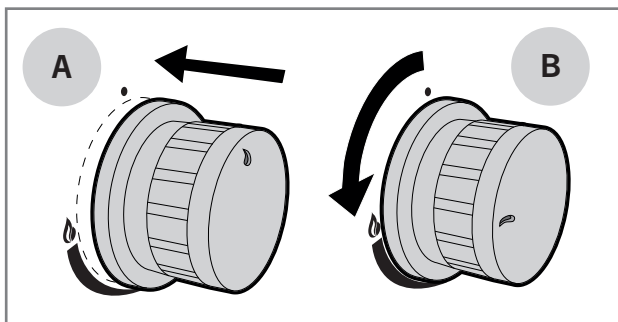


## Degiklių uždegimas pjezo uždegikliu

Degikliai paprastai uždegami reguliavimo mygtuke integruotu arba baterijomis maitinamu pjezo uždegikliu. Kiekvienas degiklis turi savo reguliavimo mygtuką. Uždegimui naudojamas mygtukas su žaibo  $\text{⚡}$  simboliu. Degikliai uždegami toliau nurodytu būdu.

1. Atidarykite kepsninės dangtį.
2. Žemo slėgio reguliatoriumi įjunkite dujas.
3. Spauskite degiklio mygtuką iki dugno (A) ir pasukite iki  $\text{🔥}$  stiprumo (B). Degiklį uždegs mygtuke integruotas pjezo uždegiklis.
4. Jei kepsninėje naudojamas baterijomis maitinamas pjezo uždegiklis (C), patikrinkite, ar tinkamai įdėtos baterijos. Spauskite pjezo mygtuką iki dugno (D), kol užsidegs kepsninės degiklis.
5. Nustatykite reikiamą degiklio liepsnos stiprumą intervale nuo  $\text{🔥}$  iki  $\text{🔥}$ .
6. Uždegus pirmąjį degiklį, galima paeiliui uždegti likusius degiklius sukant mygtuką prieš laikrodžio rodyklę iki  $\text{🔥}$  stiprumo.
7. Nustatykite reikiamą degiklio liepsnos stiprumą intervale nuo  $\text{🔥}$  iki  $\text{🔥}$ .

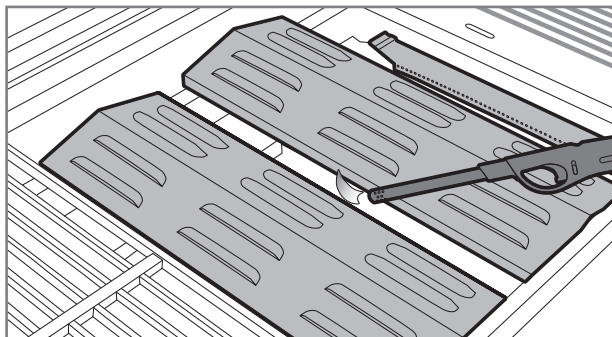
**i** Jei degiklis neužsidega, pasukite reguliatorių į OFF padėtį, palaukite penkias minutes ir tada bandykite dar kartą. Jei nepavyksta degiklio uždegti pjezo uždegikliu, galite panaudoti ilgą degtuką arba ilgą žiebtuvėlį.



## Degiklio uždegimas degtuku arba ilgu žiebtuvėliu

1. Atidarykite kepsninės dangtį.
2. Žemo slėgio reguliatoriumi įjunkite dujas.
3. Uždekte ilgą degtuką arba žiebtuvėlį.
4. Nuspauskite degiklio reguliatorių ir pasukite iki  $\text{🔥}$  stiprumo.
5. Pridėkite degtuką arba ilgą žiebtuvėlį maždaug centimetro atstumu nuo degiklio.
6. Uždegus pirmąjį degiklį, galima paeiliui uždegti likusius degiklius sukant reguliatorių prieš laikrodžio rodyklę intervale nuo  $\text{🔥}$  iki  $\text{🔥}$ .

**i** Jei degiklis neužsidega per penkias sekundes, pasukite reguliatorių į OFF padėtį ir ieškokite sprendimo problemų šalinimo lentelėje.



LT

## Šoninės viryklės degiklių uždegimas

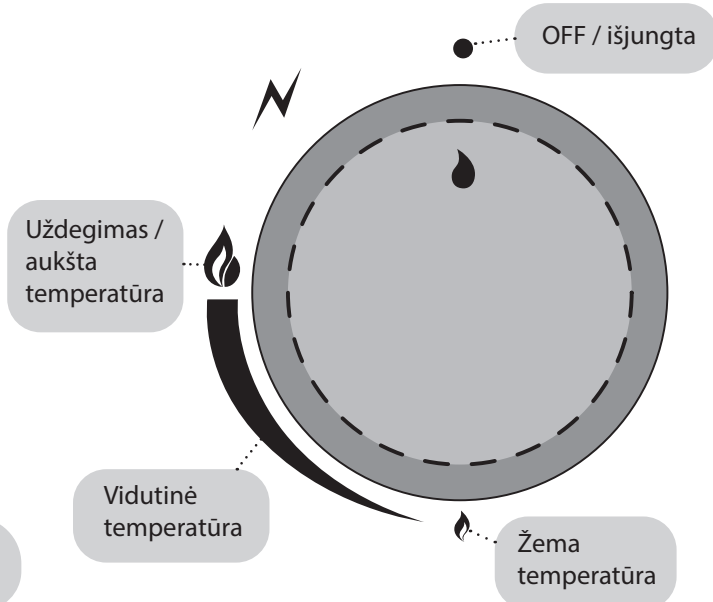
1. Atidarykite šoninės viryklės dangtį.
2. Nuspauskite degiklio reguliatorių ir pasukite iki  $\text{🔥}$  stiprumo. Degiklį uždegs mygtuke integruotas pjezo uždegiklis.
3. Jei kepsninėje yra baterijomis maitinamas pjezo uždegiklis, spauskite jo mygtuką iki dugno, kol degiklis užsidegs.
4. Nustatykite reikiamą degiklio liepsnos stiprumą intervale nuo  $\text{🔥}$  iki  $\text{🔥}$ .

**i** Jei degiklis neužsidega, pasukite reguliatorių į OFF padėtį, palaukite penkias minutes ir tada bandykite dar kartą. Jei nepavyksta degiklio uždegti pjezo uždegikliu, galite panaudoti ilgą degtuką arba ilgą žiebtuvėlį.

## Degiklių išjungimas

1. Išjunkite dujas slėgio regulatoriumi, tad būsite tikri, jog kepsninėje arba dujų žarnoje neliko dujų.
2. Pasukite reguliavimo mygtuką į OFF padėtį.
3. Uždarykite kepsninės dangtį.
4. Nuimkite slėgio regulatorių nuo dujų baliono.

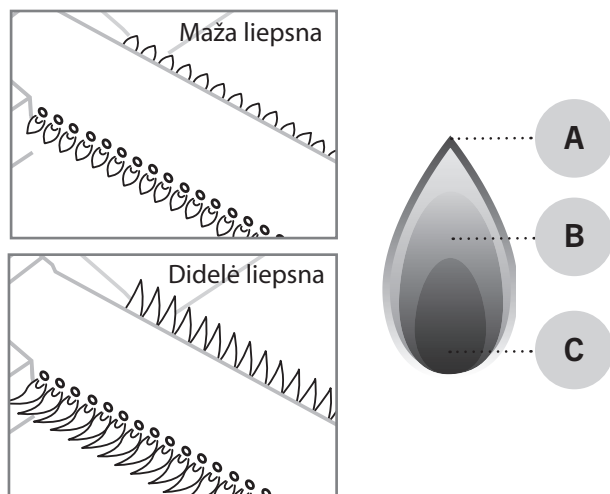
## Reguliatorių padėtys



LT

## Liepsnos tikrinimas

Užkūrę kepsninę visada patikrinkite liepsną. Degikliai jau gamykloje nustatyti optimaliu režimu, bet jų mažos skylutės vilioja vabzdžius veistis ir megzti tinklus. Kai degikliai dega tinkamai, retkarčiais virpa tik geltonas liepsnos galiukas (A), o liepsnos spalva, žiūrint žemyn, kinta nuo šviesiai mėlynos (B) iki tamsiai mėlynos (C).



**i** Jei ugnis dega ne taip, kaip reikia, patikrinkite ir išvalykite degiklį. Jei degiklis pažeistas, prieš naudojimą jį reikia pakeisti.

## Liepsnos įtraukimas

Vėjuotu oru vėjas gali nupūsti degiklio liepsną į oro įtraukimo angą ir ugnis tada degs po valdymo skydeliu. Tai gali pažeisti valdymo skydelį, reguliavimo mygtukus ir kepsninės vožtuvus. Įtraukta liepsna skleidžia kitokį garsą, tad išgirdę keistą užesį ar spragsėjimą elkitės taip:

1. Išjunkite dujas žemo slėgio regulatoriumi.
2. Pasukite visus reguliаторius į OFF padėtį.
3. Atidarykite kepsninės dangtį.
4. Nuimkite slėgio regulatorių nuo dujų baliono.
5. Perkelkite kepsninę į labiau apsaugotą vietą.

**i** Liepsnos įtraukimo padarytai žalai garantija netaikoma.

## Ugnies įsiliepsnojimas

Nedidelis įsiliepsnojimas yra įprastas reiškinys naudojant dujinę kepsninę ir netgi suteikia patiekalams papildomo skonio. Jei ugnis stipriai įsiliepsnoja, pakyla temperatūra kepsninės viduje ir nuo kepamų patiekalų varva daugiau riebalų. Dėl to padidėja riebalų užsidegimo tikimybė. Todėl įsiliepsnojimo siekiama išvengti prevencinėmis priemonėmis.

1. Prieš kepimą nuo mėsos pašalinkite riebalų perteklių.
2. Mėsą stenkitės kepti tinkamoje temperatūroje.
3. Patikrinkite, ar riebalų surinkimo padėkle neliko riebalų arba maisto gabaliukų.
4. Patikrinkite, ar kaitinimo plokštės neaptašytos riebalais.
5. Visada, kai tik įmanoma, kepkite uždarę dangtį.

**i** Jei kepimo metu dangtis uždarytas, temperatūra kepsninėje būna tolygesnė, mažiau suvartojama dujų. Dangtis taip pat padeda išlaikyti drėgmę kepsninės viduje, tad patiekalai mažiau išsausėja.

# Naudingi patarimai

## Bendrosios kepimo instrukcijos

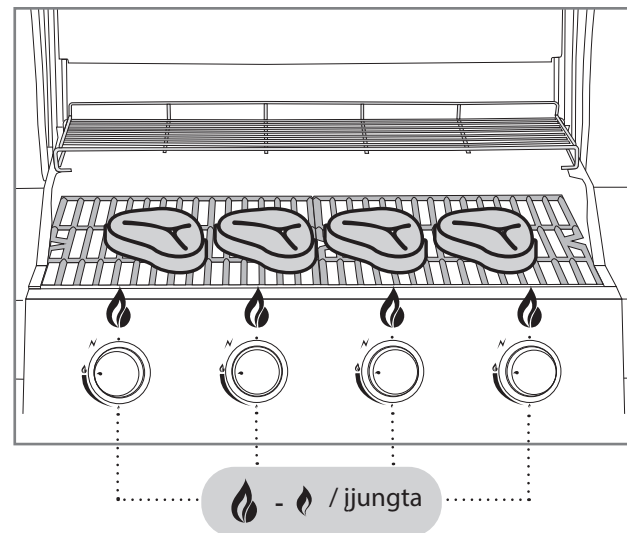
Kepsninės naudojimas - lengvas ir atpalaiduojantis užsiėmimas, tik reikia nepamiršti kelių smulkmenų ir laikytis bendrųjų kepimo instrukcijų.

- **Kepsninė turi tinkamai įkaisti.** Jei kepsninės ir kepimo grotelės tinkamai įkaista, prie jų mažiau lipna maistas, o patiekalų paviršius gražiai apkepa.
- **Kepimui nenaudokite nešvarių reikmenų.** Senas marinatas ir maisto likučiai greitai prilimpa prie grotelių ir kepamo patiekalo. Po kiekvieno naudojimo išvalykite kepsninės ir kepimo grotelės. Taip paruošite jas kitam kartui.
- Prieš pradėdami kepti pasirūpinkite, kad visi reikiami darbo įrankiai, prieskoniai, marinatas ir indai būtų lengvai pasiekiami.
- **Kuo dažniau kepkite uždengę kepsninės dangtį.** Kepant uždarytu dangčiu nenukrenta kepsninės temperatūra ir sutrumpėja kepimo trukmė.
- **Kuo mažiau vartykite kepamą mėsą,** pakanka vieno karto. Jei patiekalas ant kepsninės / kepimo grotelių guli nejudinamas, jo paviršius gražiai parunda.
- **Naudokite termometrą!** Per ilgą kepimo trukmę išsausina patiekalą ir sugadina jo skonį. Geriausią rezultatą gausite naudodami mėsos termometrą.
- Prieš pjaustydami / valgydami mėsą **palaukite 10-20 minučių.** Mėsai vėstant išsilygina temperatūra ir pjaustymo metu išsiskiria mažiau sulčių.

## Tiesioginis ir netiesioginis kepimas

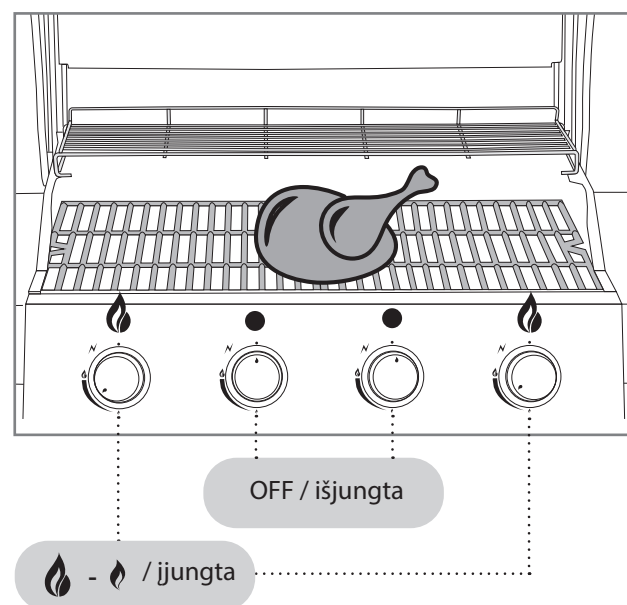
Dujines kepsnines su keliais degikliais galima naudoti tiesioginiam ir netiesioginiam kepimui. Tiesioginio kepimo būdas paprastai taikomas mažesniems ir minkštesniems patiekalams. O netiesioginiu būdu kepami dideli ir daugiau laiko reikalaujantys patiekalai, tokie kaip didkepsniai, viščiukai ir žuvis. Netiesioginiu būdu baigiami kepti tiesioginėje kaitroje apskrudinti mėsos gabaliukai. Toliau žiūrėkite, kaip galima kepti tiesioginėje ir netiesioginėje kaitroje.

### Tiesioginio kepimo parametrai



LT

### Netiesioginio kepimo parametrai

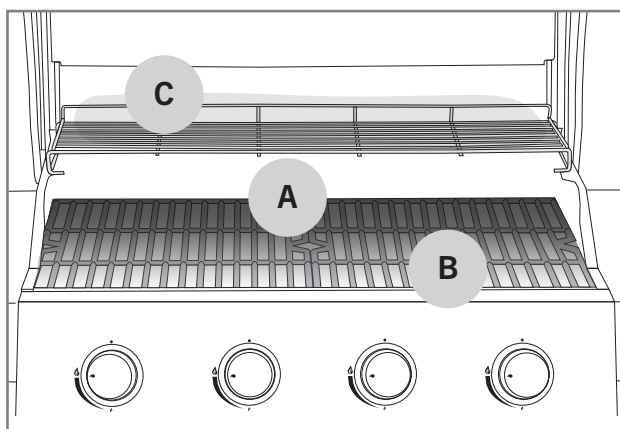


## Kepimo ploto temperatūros zonos

Tradicinių, įprastų dujinių kepsninių (su vamzdžiu / plokšte) kepimo ploto temperatūra nebūna tolygi. Į tai reikėtų žiūrėti ne kaip į problemą, bet kaip į jų savybę. Pagrindinė taisyklė: kepimo zonos galinė dalis (A) yra karštesnė už priekinę (B). Priekinė dalis yra vėsesnė dėl vadinamojo „venturi“ vamzdžio, kuris jungiasi prie degiklio. Čia maišosi dujos ir oras, sudarydami degų mišinį. „Venturi“ vamzdyje liepsna nedega.

„Mustang“ turi ir tokių dujinių kepsninių modelių, kurių visa kepimo zona įkaista tolygiai. Šiose kepsninėse naudojami U formos degikliai arba atskiri degikliai, kurių „venturi“ vamzdžiai, kitaip nei įprastai, įrengti degiklio centre. Šiuose modeliuose ugnis dega ir degiklio priekinėje dalyje.

Kepsninės gale esančios kaitinimo grotelės (C) yra vėsesnės, tad ant jų galima šildyti maistą arba jį lėtai kepti netiesioginėje kaitroje.



## Marinatai

Marinatai labai dažnai naudojami kepsninėse, kad patiekalams suteiktų norimą skonį. Tačiau dėl marinato maistas pridega prie kepsninės ir kepimo grotelių. Be to, aliejingas marinatas gali nutekėti ant degiklių, per daug sustiprinti liepsną arba netgi uždegti riebalus. Šie keli patarimai padės sumažinti marinato keliamas problemas.

1. Prieš dėdami patiekalus į kepsninę nuvalykite marinato perteklių.
2. Jei marinato dar pilsite kepimo metu, tam naudokite kepsninės teptuką. Marinato negalima pilti ant maisto tiesiai iš butelio.
3. Kepimo metu geriau naudokite sausą marinatą.

**i** Nenaudokite nuo žalių produktų marinavimo likusio skysčio paruoštiems patiekalams marinuoti. Šitaip žalios mėsos bakterijos pateks į paruoštą patiekalą.

## Ką daryti, kad maistas nepriliptų

Kepėjams gerai žinoma, kad maistas prilimpa prie kepsninės / kepimo grotelių. Štai keli patarimai, kaip to išvengti.

1. Nepamirškite pakankamai įkaitinti kepsninės.
2. Prieš dėdami patiekalus į kepsninę, išvalykite kepsninės ir kepimo groteles.
3. Prieš užpildydami kepsninę, kepamus produktus ir kepimo zoną patepkite aliejumi.
4. Nevartykite kepamų patiekalų per greitai, palaukite, kol viena pusė tinkamai iškeps.

LT

## Kepimo temperatūrų vadovas

Toliau pateikta dažniausiai naudojamų produktų orientacinė kepimo trukmė ir temperatūra. Kepimo trukmei įtakos gali turėti vėjas, lietus, lauko temperatūra ir kepsninės švarumas.



### Jautiena

Sudėtinė dalis	Storis / svoris	Kepimo būdas	Kepimo trukmė
Vidinės / išorinės nugarinės kepsnys	apie 2 cm	Tiesioginė didelė kaitra	2,5–3,5 min / viena pusė
Vidinės / išorinės nugarinės kepsnys	apie 5 cm	Tiesioginė didelė kaitra Netiesioginė vidutinė kaitra	2,5 min / viena pusė 8 – 10 min
Visa nugarinė	apie 1,5 kg	Tiesioginė didelė kaitra Netiesioginė vidutinė kaitra	3 min / viena pusė 20 – 30 min
Didkepsnis	apie 1,5 kg	Tiesioginė vidutinė kaitra Netiesioginė vidutinė kaitra	3–4 min / viena pusė 30 – 40 min
Mėsainio kepsnys	apie 2 cm	Tiesioginė didelė kaitra	2–3 min / viena pusė
Vidaus temperatūra			
Žalias – beveik žalias		47 – 51 °C	
Medium (vidutinis)		52 – 58 °C	
Beveik iškepęs – iškepęs		59 – 66 °C	



### Kiauliena

Sudėtinė dalis	Storis / svoris	Kepimo būdas	Kepimo trukmė
Mėsos filė kepsnys, šonkaulių išpjova	apie 2 cm	Tiesioginė didelė kaitra	2–2,5 min / viena pusė
Nugarinė	apie 600 g	Tiesioginė didelė kaitra Netiesioginė vidutinė kaitra	3 min / viena pusė 20 – 30 min
Kepsninėje kepami šonkauliai	apie 1,5 kg	Netiesioginė vidutinė kaitra Tiesioginė didelė kaitra	60 – 90 min 4 min / viena pusė
„Kassler“ kepsnys	apie 3 cm	Tiesioginė vidutinė kaitra Netiesioginė vidutinė kaitra	2,5–3 min / viena pusė 15 – 20 min
Žalios mėsos dešra	apie 400 g	Tiesioginė maža kaitra	2–3 min / viena pusė
Vidaus temperatūra			
Iškepta filė		65 – 70 °C	
Iškeptos kitos sudėtinės dalys		65 – 70 °C	

LT



## Vištiena ir kalakutiena

Sudėtinė dalis	Storis / svoris	Kepimo būdas	Kepimo trukmė
Krūtinėlės filė	apie 200 g	Tiesioginė vidutinė kaitra	5–6 min / viena pusė
Ketvirtis	apie 120 g	Tiesioginė vidutinė kaitra	5–6 min / viena pusė
Sparneliai	apie 500 g	Tiesioginė vidutinė kaitra Netiesioginė vidutinė kaitra	6 – 10 min 30 – 40 min
Visas viščiukas	apie 900 g	Netiesioginė vidutinė kaitra	60 – 75 min
Vidaus temperatūra			
Iškepęs		75 °C	



## Žuvis

Sudėtinė dalis	Storis / svoris	Kepimo būdas	Kepimo trukmė
Plona filė	apie 200 g	Tiesioginė vidutinė kaitra	2–3 min / viena pusė
Stora filė	apie 120 g	Tiesioginė vidutinė kaitra	5–6 min / viena pusė
Visa žuvis	apie 500 g	Netiesioginė vidutinė kaitra	20 – 30 min
Vidaus temperatūra			
Rausva		45 – 50 °C	
Visiškai iškepusi		55 – 60 °C	



## Daržovės

Sudėtinė dalis	Storis / svoris	Kepimo būdas	Kepimo trukmė
Prinokęs kukurūzas		Tiesioginė vidutinė kaitra	6 min
Pomidoras		Tiesioginė vidutinė kaitra	6 min / viena pusė
Smidrai		Tiesioginė vidutinė kaitra	3 – 5 min
Bulvių skiltelės		Tiesioginė vidutinė kaitra Netiesioginė vidutinė kaitra	5 – 8 min 10 – 15 min
Žalia bulvė		Netiesioginė vidutinė kaitra	45 – 60 min




# Kepsninės išvalymas ir sandėliavimas

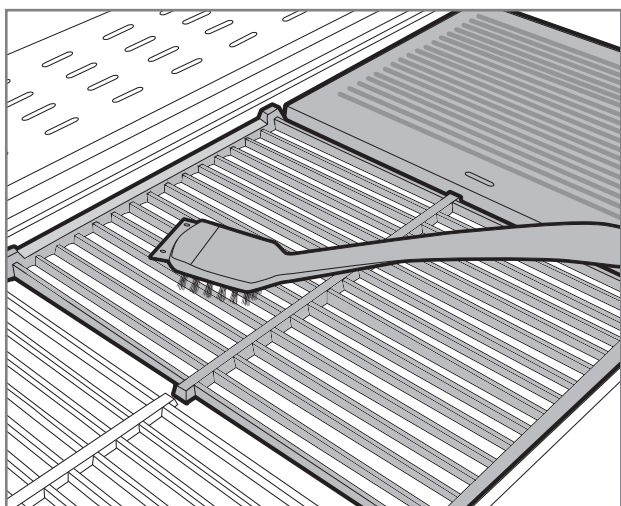
Kepsninės naudojimo trukmė bus akivaizdžiai ilgesnė, jeigu reguliariai ją valysite ir tinkamai prižiūrėsite. Jei kepsninė nepakankamai įkaista arba maistas lengvai prikimba prie grotelių, reiškia, kepsninė nebuvo valoma arba prižiūrima pagal instrukcijas. Po kiekvieno naudojimo atlikite šiuos valymo veiksmus.

## Kepsninės ir kepimo grotelės

Jei ant kepsninės / kepimo grotelių liko prilipusio maisto arba marinato, elkitės toliau aprašytu būdu.

1. Įsitinkite, kad kepsninė yra išjungta.
2. Maisto likučius ir riebalus nuo paviršių nuvalykite, pvz., popieriniu rankšluosčiu.
3. Užkurkite kepsninę pagal instrukcijas ir nustatykite degiklius  stiprumu.
4. Uždarykite dangtį ir palikite kepsninę kaisti 5-10 min.
5. Išjunkite kepsninę ir atidarykite dangtį.
6. Palaukite apie 10 min, kad kepsninė atvėstų.
7. Pridėgusį maistą ir nešvarumus nugramdykite kepsninėms skirtu šepetėliu (A).
8. Naudodami, pvz., popierinį rankšluostį arba kepsninės teptuką, padenkite išvalytas kepsninės ir kepimo grotelės augaliniu aliejumi.

**i** Valymui nenaudokite suvirinimo darbams skirto metalinio šepetio, nes jis gali pažeisti kepsninės paviršius. Tokiu metaliniu šepetėliu padarytai žalai garantija nebus taikoma.



## Riebalų surinkimo padėklas ir indas

Riebalai dažniausiai užsidega dėl nešvaraus riebalų surinkimo padėklo. Jei riebalų surinkimo padėkle ar inde yra maisto gabaliukų ar marinato likučių, jį reikia iš karto išvalyti toliau pateiktu būdu. Riebalų surinkimo padėkle negali likti riebalų balučių.

1. Įsitinkite, kad kepsninė yra išjungta.
2. Išimkite iš kepsninės riebalų surinkimo padėklą / indą.
3. Nubraukite palaidus maisto gabaliukus ir riebalus kepsninės valymo šepetėlio grandikliu arba plastikine mentele.
4. Riebalų surinkimo padėklą / indą nuplaukite švelnia indų plovimo priemone.
5. Išvalytą riebalų surinkimo padėklą / indą nusausinkite ir įstatykite atgal į kepsninę.

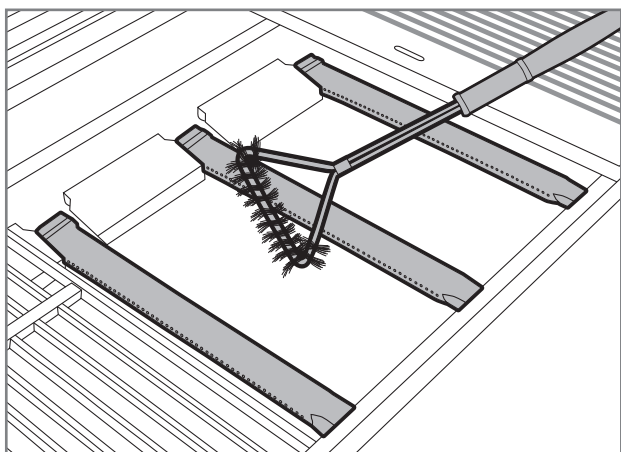
**i** Kad valyti būtų paprasčiau, galite riebalų surinkimo padėklą užkloti folija, ant kurios kaupsis maisto ir riebalų perteklius. Valymo metu tereikės nuimti sutęptą foliją.



## Degikliai

Degikliai turi didžiausią reikšmę kepsninės veikimui ir įkaitimui, tad jų švarumą ir būklę reikia reguliariai tikrinti. Degiklius reikėtų nuimti ir patikrinti bent du kartus per metus - ypač pavasarį po žiemos sezono ar kitos ilgos pertraukos naudojime. Mažos degiklių skylutės vilioja vabzdžius ir vorus čia sukti lizdus. Dėl užkimštų skylučių ugnis dega netolygiai ir nešvariai. Gali būti, kad dėl užsikimšusio degiklio liepsna ims degti už dujų vamzdelio, o tai gali stipriai pažeisti kepsninę. Degikliai valomi toliau aprašytu būdu.

1. Įsitinkite, kad kepsninė yra išjungta.
2. Išimkite kepsninės ir kepimo groteles bei kaitinimo plokštes.
3. Atsukę tvirtinimo varžtą išimkite degiklį iš ugniadėžės. Varžtai paprastai būna degiklių tolimajame gale.
4. Keliuose kepsninių modeliuose prieš nuimant degiklius reikia pašalinti kepsninės galines plokštes.
5. Dalyje modelių patogų valyti ir neišimtus degiklius. Svarbiausia pasiekti visas mažas skylutes, per kurias tiekiamos dujos.
6. Degiklių paviršių valykite žalvariniu kepsninės šepėčiu.
7. Patikrinkite, ar degiklių skylutės yra atviros ir švarios. Tam galite panaudoti, pvz., ploną metalinę vielą.
8. Jei degiklis yra pažeistas ar stipriai aprūdijęs, jį iš karto pakeiskite.
9. Tuo pačiu patikrinkite, ar švarus ir nepažeistas vožtuvo antgalis.
10. Išvalytus degiklius įstatykite atgal į vietą.

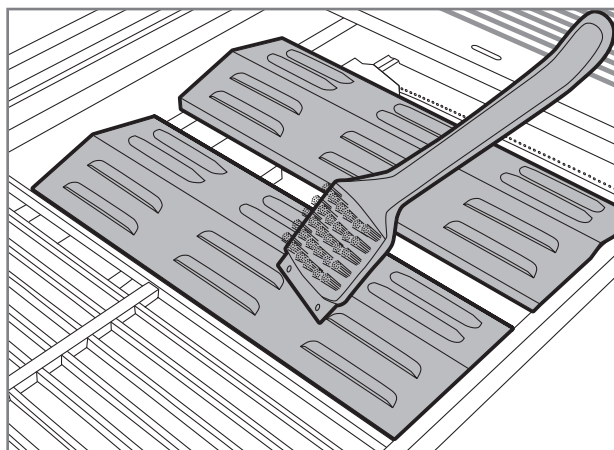


## Kaitinimo plokštės

Kaitinimo plokštės tolygiai paskirsto šilumą kepimo zonoje. Ant kaitinimo plokščių taip pat kaupiasi maisto ir marinato likučiai. Nešvarios plokštės mažina kepsninės galingumą. Kaitinimo plokštes valykite toliau nurodytu būdu.

1. Įsitinkite, kad kepsninė yra išjungta.
2. Išimkite kaitinimo plokštes iš kepsninės.
3. Valymo šepetėlio grandikliu arba plastikine mentele nubraukite maisto likučius nuo kaitinimo plokščių paviršiaus.
4. Pabaigoje pašalinkite likusius nešvarumus kepsninės valyti skirtu žalvariniu šepėčiu.
5. Jei norite, kaitinimo plokštes galite plauti plautuvėje su švelniu indų plovikliu.
6. Išvalytas plokštes nusauskite ir įdėkite atgal į kepsninę.

**i** Kaitinimo plokščių neplaukite indaplovėje.





## Kitos kepsninės dalys

Be pirmiau aptartų dalių kepsninėje yra daug kitų metalinių detalių, kurias irgi reikia reguliariai valyti. Joms galima taikyti šias bendrąsias instrukcijas.

1. Metalines kepsninės dalis valykite „Mustang“ kepsninių valymo skysčiu, „Mustang“ sąrašė pateiktu valymo skysčiu arba švelniu indų plovikliu ir šluoste.
2. Nepamirškite gerai nusausinti išvalytų dalių.
3. Valdymo skydeliams ir vietoms su įspėjamaisiais užrašais negalima naudoti ploviklių, nes jie gali nutrinti tekstą ar kitus saugos simbolius.
4. Visus išorinius kepsninės paviršius valykite bent tris kartus per metus, kad prie jų neliptų nešvarumai.
5. Naujos valymo priemonės tinkamumą visada tikrinkite mažai pastebimoje vietoje.

**i** Kepsninė gali rūdyti dėl chloro ir druskos poveikio. Tad jei kepsninė naudojama prie jūros arba baseino, ją reikia valyti kas savaitę.

## Medinių dalių valymas

Jei kepsninėje yra medinių dalių, jas reikia valyti ir prižiūrėti, kaip aprašyta toliau:

1. Visas medines dalis reguliariai valykite nušluostydami drėgna šluoste ir švelnaus muilo bei vandens mišiniu.
2. Kruopščiai nusausinkite nuvalytus paviršius.
3. Medines dalis bent dukart per metus apdorokite prekyboje prieinama bespalve medienos alyva, skirta lauko baldams. Tai apsaugos medines dalis nuo išdžiūvimo ir trūkinėjimo.
4. Prieš apdorodami išbandykite medienos alyvą ir visas kitas priemones mažoje nepastebimoje vietoje, kad įsitikintumėte, ar jos tinkamos. Apdorodami medines dalis visada vadovaukitės gamintojo nurodymais.

## Laikymas

Kai darote ilgesnę pertrauką arba norite paruošti kepsninę sandėliavimui žiemą, žiūrėkite šias instrukcijas. Tinkamas laikymas prailgins kepsninės tarnavimo laiką ir ji daugelį metų išliks funkcionali. Sandėliuodami kepsninę laikykitės šių instrukcijų.

1. Kruopščiai išvalykite kepsninę pagal naudojimo vadovo instrukcijas.
2. Užkurkite ir apie 15 min kaitinkite kepsninę, kad išdžiūtų visos metalinės dalys.
3. Palaukite, kol kepsninė atvės.
4. Pasirūpinkite, kad visos kepsninės / kepimo grotelės būtų suteptos aliejumi.
5. Jei kepsninė bus laikoma lauke, išimkite degiklius, kepsninės ir kepimo grotelės, kaitinimo grotelės ir plokštes. Šias dalis reikia laikyti sausoje ir šiltoje patalpoje. Kiekvieną jų būtų gerai suvynioti, pvz., į laikraštį, kad neapsibraižytų paviršius.
6. Nuo dujų baliono nuimkite žemo slėgio reguliatorių.
7. Dujų balioną visada laikykite lauke ir pasirūpinkite, kad jo neveiktų karštis arba saulės spinduliai.
8. Kepsninę laikant lauke, verta įsigyti kokybišką uždangalą, kuris ją uždengtų iki pat žemės. Nepamirškite pasirūpinti, kad oras galėtų cirkuliuoti ir po dangalu.

**i** Nelaikykite kepsninės ten, kur ant jos nuo stogo lašėtų tirpstantis sniegas. Sniego ir ledo sukeltai žalai garantija netaikoma.

LT

# Trikčių diagnostika

Gali sutrikti bet kurios kepsninės veikimas. Šios triktys paprastai nesudėtingai pašalinamos. Jei toliau pateiktoje schemoje nerasite sprendimo savo problemai, kreipkitės į pardavėją.

Defektas	Galima priežastis	Sprendimas
Neteka dujos	Neatsuktas žemo slėgio reguliatorius	Įjunkite dujas slėgio reguliatoriumi
	Žemo slėgio reguliatorius netinkamai prijungtas prie dujų baliono	Nuimkite slėgio reguliatorių ir vėl iš naujo jį rūpestingai prijunkite
	Dujų žarna arba slėgio reguliatorius turi defektų	Pakeiskite dujų žarną arba slėgio reguliatorių ir atlikite nuotėkio patikrinimą
Baterijomis maitinamas pjezo uždegiklis neuždega degiklio	Baterijos išsikrovė arba nebuvo įdėtos	Pakeiskite baterijas
	Atjungti arba neteisingai prijungti uždegiklio laidai	Patikrinkite sujungimus ir iš naujo prijunkite laidus
	Sugedęs uždegiklis	Pakeiskite uždegiklį
Nepavyksta uždegti degiklio degtuku arba žiebtuvėliu	Užsikimšo degiklio skylutės	Išvalykite degiklius pagal pateiktas instrukcijas
	Degikliai netinkamai prijungti prie vožtuvų	Patikrinkite degiklių įrengimą ir būklę
Kepsninė nepakankamai įkaista	Degikliai negauna oro	Patikrinkite ir išvalykite degiklius
	Per mažai dujų	Pakeiskite dujų balioną
	Nustojo tekėti dujos	Patikrinkite, ar tvarkinga ir neužlenkta dujų žarna
Netolygi liepsna, ugnis dega vien geltonai arba skleidžia dūmus	Degikliai negauna pakankamai oro	Išvalykite degiklius pagal pateiktas instrukcijas
	Ant degiklių yra pridegusio maisto, druskos arba marinato	
Stipriai plazdanti liepsna arba per aukšta temperatūra	Per daug riebalų ir marinato ant produktų	Nuvalykite riebalų perteklių
	Labai nešvarios kaitinimo plokštės arba riebalų surinkimo padėklas	Nuvalykite maisto likučius arba riebalus nuo kaitinimo plokštės arba riebalų surinkimo padėklo
Liepsna vis užgesta	Per stiprus vėjas	Perkelkite kepsninę į užuovėją
	Baigiasi dujos	Pakeiskite dujų balioną
Už degiklių matoma liepsna	Užsikimšę degikliai	Patikrinkite ir išvalykite degiklius
	Stiprus vėjas	Perkelkite kepsninę į užuovėją
Ūžia / zyžia slėgio reguliatorius	Aukšta lauko temperatūra	Nereikia nieko daryti. Tai laikina situacija.
	Pilnas dujų balionas	

LT



# Garantija

Šioms „Mustang“ dujinėms kepsninėms suteikiama 10 metų gamyklinė ir medžiagų garantija. Naujausių garantijos sąlygų ieškokite mūsų interneto svetainėje

**[mustang-grill.com](http://mustang-grill.com)**

Visais garantijos teikimo atvejais reikalingas pirkimo kvitas, kuriame būtų nurodyta pirkimo vieta ir data.

LT



# MUSTANG

EN

## The most extensive barbecue product selection

Grills | Pizza | Smoking | Accessories

FI

## Kaikkein laajin grillausvalikoima

Grillaus | Pizza | Savustus | Tarvikkeet

SV

## Det bredaste grillnings Sortimentet

Grillning | Pizza | Rökning | Tillbehör

NO

## Et svært eksklusivt utvalg av grillprodukter

Griller | Pizza | Røyking | Tilbehør

DA

## Det største udvalg af grillprodukter

Grill | Pizza | Rygning | Tilbehør

ET

## Kõige laiem grillimistoodete valik

Grillimine | Pitsa küpsetamine | Suitsutamine | Tarvikud

LV

## Plašākā grilu izvēle

Grilēšana | Pica | Kūpināšana | Piederumi

LT

## Visapusiškas kepsninių asortimentas

Kepsninės | Pica | Rūkymas | Priedai









**MUSTANG**

**mustang-grill.com**

